



Short casing
(C version)



Soler&Palau Sistemas de Ventilación SLU certifies that this series is licensed to bear the AMCA Seal for Air Performance. The revision version is EasyVent v11, May 2020. Certification may be checked at <https://www.amca.org/certify>



Long casing
(LK version)



Long casing
1400/1600 (LK version)

Range of adjustable pitch aerofoil blade, cased axial flow fans designed for smoke extract in fire conditions and certified F400-120, F300/F200-120 (CE marked).

Casings formed from rolled sheet steel with a corrosion resistant hot dipped galvanised finish for all models.

All models F400-120 except 2 poles incorporate separate high grade die-cast aluminium blades locked within an aluminium injected hub (diameters from 400 to 630) or a pressed sheet steel hub (diameters from 710 to 1600).

F300/F200-120 models incorporate an aluminium injected hub (diameters from 400 to 800) or a pressed sheet steel hub (diameters from 900 to 1600).

2 POLES F400-120 model with aluminium impeller/hub formed from a one piece casting.

All models are available in both short and long casing versions except 2 poles F400-120 model only supplied with long casing.

Short casing versions:

- (C) Standard.
- (CK) Includes an external terminal box for ease of connection.

Long casing versions:

- (LK) Includes an external terminal box for ease of connection, and a spy phole to check impeller rotation.
- (LP) Includes an inspection door for easy access to motor.
- (LPK) Includes both external terminal box and inspection door.

Suitable for horizontal or vertical airflow installation.

Check EasyVent to select the most suitable configurations for the installation, and obtain the corresponding datasheets.

Motors

Available, depending upon the model:

- with three phase motors in 2, 4 or 6 poles.
- with three phase two speed motors, 2/4, 4/8, 4/6 or 6/12 poles.

F300-120 & F400-120 motors are IP55, class H insulation.

Electrical supplies:

Three phase 220-240/380-415-50/60Hz* up to 3 kW.

Three phase 380-415V-50Hz, for higher power motors and two speed motors. (See characteristics chart).

(*60Hz versions available in EasyVent.)

Motors suitable for inverter control.

In emergency operation, no need for DOL or de-rating, as long as the VFTM range of VSds is used, and/or requirements defined in EN 12101-3 are followed.

On demand

Casing in stainless steel or paint finish. Motors provided with PTC thermistor or space heaters.



Specific applications



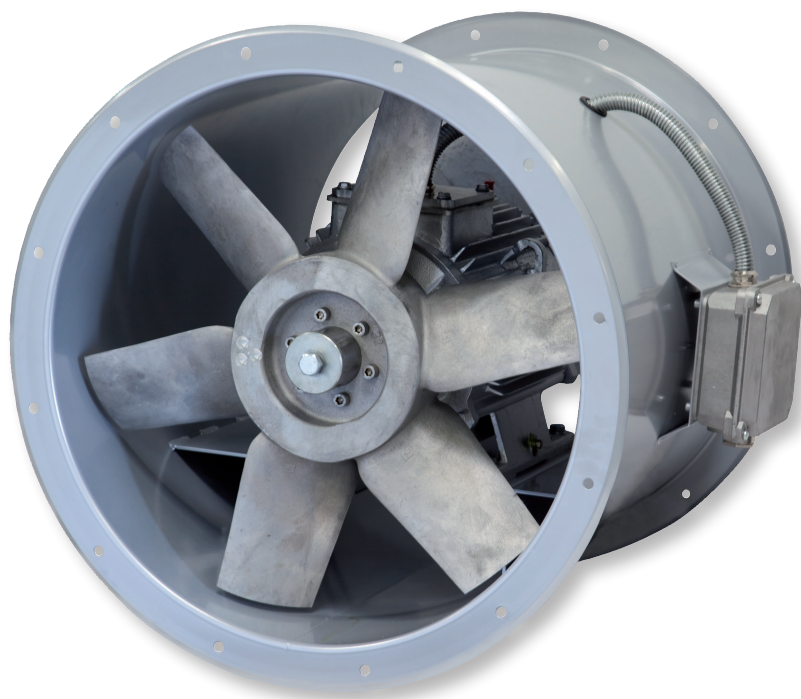
Car Parks



Officially approved to EN12101-3 standard. Certificate n° 0370-CPD-0348



Officially approved to EN12101-3 standard. Certificate n° 0370-CPD-0742



Cased axial fan rated F400-120 for smoke extract in fire condition. Long casing formed from rolled sheet steel with a corrosion resistant hot dipped galvanised finish. Aluminium Impeller / hub formed from a one piece casting, dynamically balanced.

Motors

Available, depending upon the model:
- with three phase motors in 2 poles.
- with three phase two speed motors in 2/4 poles.

F400-120 motors are IP55 - Class H insulation and external terminal box, situated out of the airflow.

Electrical supplies:

Three phase 220-240/380-415-50 Hz up to 3 kW.

Three phase 380-415V-50Hz, for higher power motors and two speed motors.



Soler&Palau Sistemas de Ventilación SLU certifies that this series is licensed to bear the AMCA Seal for Air Performance. The revision version is EasyVent v11, May 2020. Certification may be checked at <https://www.amca.org/certify>



Terminal box

External terminal box to ease the electrical connection.



Impeller dynamically balanced

Aluminium impeller manufactured from one piece casting. Dynamically balanced, according to ISO 1940 standard, giving vibration free operation.

Specific applications



Officially approved to EN12101-3 standard. Certificate nº 0370-CPD-0741



Car Parks



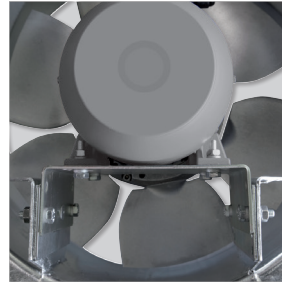
Industrial kitchens



Motor approved S1 and S2
F400-120 and F300-120 certified motors approved for running continuously (S1) or for emergency operation (S2).



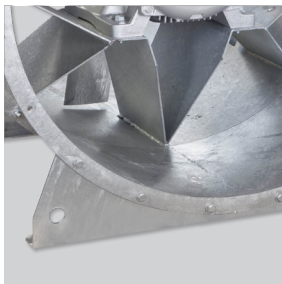
Corrosion resistance
Casings formed from rolled sheet steel with a corrosion resistant hot dip galvanised finish.



Motor support
Manufactured from sheet steel with a corrosion resistant hot dip galvanised or Magnelis® finish. Models from 400 to 800.



Aerodynamic motor support
Aerodynamic design of the motor support to optimise airflow performance models from 900 to 1250.



Motor support (1400 and 1600 mm diameter):
Welded on the fan casing. The whole assembly with a corrosion resistant hot dip galvanised finish.



Impeller dynamically balanced
According to ISO 1940 standard, providing vibration free operation.



Wide blade design higher pressure
Wide blade design to ensure the highest efficient airflow performances.
F400-120: Configuration 1: from 400 to 630 models.
Configuration 2: from 710 to 1600 models.
F300/F200-120: Configuration 1: from 400 to 800 models.
Configuration 2: from 900 to 1600 models.



Terminal box
External terminal box to ease the electrical connection.

REFERENCE

T	H	G	T	/	4	-	1	0	0	0	-	6	/	26	A	C	K	15kW
1					2		3					4		5	6	7		8

- 1 - Product range.
- 2 - Number of poles.
- 3 - Diameter*.
- 4 - Number of blades.
- 5 - Blade pitch angle.
- 6 - Airflow direction:
B (Impeller - Motor Standard)
A (Motor - Impeller)
BD (B-Down)
AU (A-Up)
AB (Reversible)

- 7 - Casing configuration:
C: Short casing. Standard.
CK: Short casing with external terminal box for ease of connection.
LK: Long casing with external terminal box for ease of connection, and a spy hole to check impeller rotation.
LP: Long casing with inspection door for easy access to motor.
LPK: Long casing with both external terminal box and inspection door.
- 8 - Motor power.

* For the 1400 and 1600 mm diameter fans the last "0" is replaced by a number and a letter indicating the hub diameter and blade type (e.g. 1409G) This also applies to other diameters if motor frame is IEC 250 or bigger (e.g. 1257).

We reserve the right to use different motor suppliers, therefore the following data may differ.

TECHNICAL CHARACTERISTICS - F400 120 - 2 POLES - (ONE PIECE IMPELLER)

Model	Diameter (mm)	Motor power	Full load current at 400V (A)	Weight (kg)
THGT/2-400-6/27 L	400	1,1	2,33	47
THGT/2-400-6/32 L	400	1,5	3,09	51
THGT/2-450-6/22 L	450	1,5	3,09	61
THGT/2-450-6/27 L	450	2,2	4,43	66
THGT/2-450-6/32 L	450	3	5,77	77
THGT/2-500-6/17 L	500	1,5	3,09	62
THGT/2-500-6/22 L	500	3	5,77	78
THGT/2-500-6/27 L	500	4	7,59	84

Model	Diameter (mm)	Motor power	Full load current at 400V (A)	Weight (kg)
THGT/2-560-6/17 L	560	4	7,59	100
THGT/2-560-6/22 L	560	5,5	10,6	121
THGT/2-560-6/27 L	560	7,5	14,1	124
THGT/2-630-6/17 L	630	7,5	14,1	129
THGT/2-630-6/22 L	630	7,5	14,1	129
THGT/2-630-6/27 L	630	11	20	169

TECHNICAL CHARACTERISTICS - F400 120 - 4 POLES

Model	Diameter (mm)	Motor power	Full load current at 400V (A)	Weight (kg)	
				Short casing	Long casing
THGT/4-400-6/-0,25	400	0,25	0,6	35	41
THGT/4-450-6/-0,25	450	0,25	0,6	43	51
THGT/4-450-6/-0,37	450	0,37	0,87	43	52
THGT/4-450-6/-0,55	450	0,55	1,38	43	52
THGT/4-500-6/-0,55	500	0,55	1,38	44	53
THGT/4-500-6/-0,75	500	0,75	1,62	49	58
THGT/4-500-6/-1,1	500	1,1	2,35	54	63
THGT/4-560-6/-0,55	560	0,55	1,38	52	69
THGT/4-560-6/-0,75	560	0,75	1,62	57	74
THGT/4-560-6/-1,1	560	1,1	2,35	62	79
THGT/4-560-6/-1,5	560	1,5	3,17	65	82
THGT/4-560-6/-2,2	560	2,2	4,56	74	91
THGT/4-630-6/-0,75	630	0,75	1,62	64	79
THGT/4-630-6/-1,1	630	1,1	2,35	69	84
THGT/4-630-6/-1,5	630	1,5	3,17	72	87
THGT/4-630-6/-2,2	630	2,2	4,56	81	96
THGT/4-630-6/-3	630	3	6,15	87	102
THGT/4-710-5/-1,1	710	1,1	2,35	66	90
THGT/4-710-5/-1,5	710	1,5	3,17	69	93
THGT/4-710-5/-2,2	710	2,2	4,56	78	102
THGT/4-710-5/-3	710	3	6,15	84	108
THGT/4-710-5/-4	710	4	8,03	90	114
THGT/4-710-5/-5,5	710	5,5	10,4	112	136

Model	Diameter (mm)	Motor power	Full load current at 400V (A)	Weight (kg)	
				Short casing	Long casing
THGT/4-710-7/-1,1	710	1,1	2,35	72	92
THGT/4-710-7/-1,5	710	1,5	3,17	75	95
THGT/4-710-7/-2,2	710	2,2	4,56	84	104
THGT/4-710-7/-3	710	3	6,15	90	110
THGT/4-710-7/-4	710	4	8,03	96	116
THGT/4-710-7/-5,5	710	5,5	10,4	118	138
THGT/4-800-3/-1,1	800	1,1	2,35	81	98
THGT/4-800-3/-1,5	800	1,5	3,17	84	101
THGT/4-800-3/-2,2	800	2,2	4,56	93	110
THGT/4-800-3/-3	800	3	6,15	99	116
THGT/4-800-3/-4	800	4	8,03	105	122
THGT/4-800-3/-5,5	800	5,5	10,4	127	144
THGT/4-800-6/-1,5	800	1,5	3,17	87	104
THGT/4-800-6/-2,2	800	2,2	4,56	96	113
THGT/4-800-6/-3	800	3	6,15	102	119
THGT/4-800-6/-4	800	4	8,03	108	125
THGT/4-800-6/-5,5	800	5,5	10,4	130	147
THGT/4-800-6/-7,5	800	7,5	13,9	138	155
THGT/4-800-9/-2,2	800	2,2	4,56	100	117
THGT/4-800-9/-3	800	3	6,15	106	123
THGT/4-800-9/-4	800	4	8,03	112	129
THGT/4-800-9/-5,5	800	5,5	10,4	134	151
THGT/4-800-9/-7,5	800	7,5	13,9	142	159
THGT/4-900-3/-2,2	900	2,2	4,56	106	125
THGT/4-900-3/-3	900	3	6,15	112	131
THGT/4-900-3/-4	900	4	8,03	118	137
THGT/4-900-3/-5,5	900	5,5	10,4	140	159
THGT/4-900-3/-7,5	900	7,5	13,9	148	167

TECHNICAL CHARACTERISTICS - F400 120 - 4 POLES (CONTINUATION)

Model	Diameter (mm)	Motor power	Full load current at 400V (A)	Weight (kg)		Model	Diameter (mm)	Motor power	Full load current at 400V (A)	Weight (kg)	
				Short casing	Long casing					Short casing	Long casing
THGT/4-900-6/-3	900	3	6,15	117	136	THGT/4-1120-9/-11	1120	11	20,9	222	281
THGT/4-900-6/-4	900	4	8,03	123	142	THGT/4-1120-9/-15	1120	15	27,9	244	303
THGT/4-900-6/-5,5	900	5,5	10,4	145	164	THGT/4-1120-9/-18,5	1120	18,5	35,1	277	336
THGT/4-900-6/-7,5	900	7,5	13,9	153	172	THGT/4-1120-9/-22	1120	22	41	294	353
THGT/4-900-6/-11	900	11	20,9	192	211	THGT/4-1120-9/-30	1120	30	57,1	337	396
						THGT/4-1120-9/-37	1120	37	66,8	474	533
THGT/4-900-9/-5,5	900	5,5	10,4	149	168	THGT/4-1120-9/-45	1120	45	80,9	509	568
THGT/4-900-9/-7,5	900	7,5	13,9	157	176						
THGT/4-900-9/-11	900	11	20,9	196	215	THGT/4-1250-3/-7,5	1250	7,5	13,9	188	230
THGT/4-900-9/-15	900	15	27,9	218	237	THGT/4-1250-3/-11	1250	11	20,9	227	269
						THGT/4-1250-3/-15	1250	15	27,9	249	291
THGT/4-1000-3/-3	1000	3	6,15	120	141	THGT/4-1250-3/-18,5	1250	18,5	35,1	282	324
THGT/4-1000-3/-4	1000	4	8,03	126	147	THGT/4-1250-3/-22	1250	22	41	299	341
THGT/4-1000-3/-5,5	1000	5,5	10,4	148	169	THGT/4-1250-3/-30	1250	30	57,1	342	384
THGT/4-1000-3/-7,5	1000	7,5	13,9	156	177						
THGT/4-1000-3/-11	1000	11	20,9	195	216	THGT/4-1250-6/-15	1250	15	27,9	255	297
						THGT/4-1250-6/-18,5	1250	18,5	35,1	288	330
THGT/4-1000-6/-4	1000	4	8,03	131	152	THGT/4-1250-6/-22	1250	22	41	305	347
THGT/4-1000-6/-5,5	1000	5,5	10,4	153	174	THGT/4-1250-6/-30	1250	30	57,1	348	390
THGT/4-1000-6/-7,5	1000	7,5	13,9	161	182	THGT/4-1250-6/-37	1250	37	66,8	485	527
THGT/4-1000-6/-11	1000	11	20,9	200	221	THGT/4-1250-6/-45	1250	45	80,9	520	562
THGT/4-1000-6/-15	1000	15	27,9	222	243						
THGT/4-1000-6/-18,5	1000	18,5	35,1	255	276	THGT/4-1250-9/-15	1250	15	27,9	261	303
						THGT/4-1250-9/-18,5	1250	18,5	35,1	294	336
THGT/4-1000-9/-7,5	1000	7,5	13,9	166	187	THGT/4-1250-9/-22	1250	22	41	311	353
THGT/4-1000-9/-11	1000	11	20,9	205	226	THGT/4-1250-9/-30	1250	30	57,1	354	396
THGT/4-1000-9/-15	1000	15	27,9	227	248	THGT/4-1250-9/-37	1250	37	66,8	491	533
THGT/4-1000-9/-18,5	1000	18,5	35,1	260	281	THGT/4-1250-9/-45	1250	45	80,9	526	568
THGT/4-1000-9/-22	1000	22	41	277	298						
						THGT/4-1250-12/-18,5	1250	18,5	35,1	300	342
THGT/4-1120-3/-4	1120	4	8,03	142	174	THGT/4-1250-12/-22	1250	22	41	317	359
THGT/4-1120-3/-5,5	1120	5,5	10,4	164	196	THGT/4-1250-12/-30	1250	30	57,1	360	402
THGT/4-1120-3/-7,5	1120	7,5	13,9	172	204	THGT/4-1250-12/-37	1250	37	66,8	497	539
THGT/4-1120-3/-11	1120	11	20,9	211	243	THGT/4-1250-12/-45	1250	45	80,9	532	574
THGT/4-1120-3/-15	1120	15	27,9	233	265						
THGT/4-1120-3/-18,5	1120	18,5	35,1	266	298	THGT/4-1409-3/-18,5	1409	18,5	35,1	440	594
						THGT/4-1409-3/-22	1409	22	41	457	611
THGT/4-1120-6/-11	1120	11	20,9	216	253	THGT/4-1409-3/-30	1409	30	57,1	500	654
THGT/4-1120-6/-15	1120	15	27,9	238	275	THGT/4-1409-3/-37	1409	37	66,8	637	791
THGT/4-1120-6/-18,5	1120	18,5	35,1	271	308	THGT/4-1409-3/-45	1409	45	80,9	672	826
THGT/4-1120-6/-22	1120	22	41	288	325	THGT/4-1409-3/-55	1409	55	98,6	721	875
THGT/4-1120-6/-30	1120	30	57,1	331	368	THGT/4-1409-3/-75	1409	75	134	913	1067

TECHNICAL CHARACTERISTICS - F400 120 - 4 POLES (CONTINUATION)

Model	Diameter (mm)	Motor power	Full load current at 400V (A)	Weight (kg)	
				Short casing	Long casing
THGT/4-1409-6/-30	1409	30	57,1	513	667
THGT/4-1409-6/-37	1409	37	66,8	650	804
THGT/4-1409-6/-45	1409	45	80,9	685	839
THGT/4-1409-6/-55	1409	55	98,6	734	888
THGT/4-1409-6/-75	1409	75	134	926	1080
THGT/4-1409-6/-90	1409	90	158	996	1150
THGT/4-1409-6/-110	1409	110	193	1251	1405
THGT/4-1409-6/-132	1409	132	231	1311	1465

THGT/4-1409-9/-45	1409	45	80,9	698	852
THGT/4-1409-9/-55	1409	55	98,6	747	901
THGT/4-1409-9/-75	1409	75	134	939	1093
THGT/4-1409-9/-90	1409	90	158	1009	1163
THGT/4-1409-9/-110	1409	110	193	1264	1418
THGT/4-1409-9/-132	1409	132	231	1324	1478
THGT/4-1409-9/-160	1409	160	280	1394	1548

THGT/4-1409-12/-55	1409	55	98,6	760	914
THGT/4-1409-12/-75	1409	75	134	952	1106
THGT/4-1409-12/-90	1409	90	158	1022	1176
THGT/4-1409-12/-110	1409	110	193	1277	1431
THGT/4-1409-12/-132	1409	132	231	1337	1491
THGT/4-1409-12/-160	1409	160	280	1407	1561

THGT/4-1609-3/-37	1609	37	66,8	690	890
THGT/4-1609-3/-45	1609	45	80,9	725	925
THGT/4-1609-3/-55	1609	55	98,6	783	983
THGT/4-1609-3/-75	1609	75	134	975	1175
THGT/4-1609-3/-90	1609	90	158	1045	1245
THGT/4-1609-3/-110	1609	110	193	1300	1500
THGT/4-1609-3/-132	1609	132	231	1360	1560

Model	Diameter (mm)	Motor power	Full load current at 400V (A)	Weight (kg)	
				Short casing	Long casing
THGT/4-1609-6/-55	1609	55	98,6	797	997
THGT/4-1609-6/-75	1609	75	134	989	1189
THGT/4-1609-6/-90	1609	90	158	1059	1259
THGT/4-1609-6/-110	1609	110	193	1314	1514
THGT/4-1609-6/-132	1609	132	231	1374	1574
THGT/4-1609-6/-160	1609	160	280	1444	1644

THGT/4-1609-9/-75	1609	75	134	1003	1203
THGT/4-1609-9/-90	1609	90	158	1073	1273
THGT/4-1609-9/-110	1609	110	193	1328	1528
THGT/4-1609-9/-132	1609	132	231	1388	1588
THGT/4-1609-9/-160	1609	160	280	1458	1658

THGT/4-1609-12/-75	1609	75	134	1018	1218
THGT/4-1609-12/-90	1609	90	158	1088	1288
THGT/4-1609-12/-110	1609	110	193	1343	1543
THGT/4-1609-12/-132	1609	132	231	1403	1603
THGT/4-1609-12/-160	1609	160	280	1473	1673

TECHNICAL CHARACTERISTICS - F400 120 - 6 POLES

Model	Diameter (mm)	Motor power	Full load current at 400V (A)	Weight (kg)	
				Short casing	Long casing
THGT/6-560-6/-0,55	560	0,55	1,62	58	75
THGT/6-630-6/-0,55	630	0,55	1,62	65	80
THGT/6-630-6/-0,75	630	0,75	1,93	71	86
THGT/6-630-6/-1,1	630	1,1	2,69	78	93
THGT/6-710-5/-0,55	710	0,55	1,62	62	86
THGT/6-710-5/-0,75	710	0,75	1,93	68	92
THGT/6-710-5/-1,1	710	1,1	2,69	75	99

Model	Diameter (mm)	Motor power	Full load current at 400V (A)	Weight (kg)	
				Short casing	Long casing
THGT/6-710-7/-0,55	710	0,55	1,62	68	88
THGT/6-710-7/-0,75	710	0,75	1,93	74	94
THGT/6-710-7/-1,1	710	1,1	2,69	81	101
THGT/6-800-3/-0,75	800	0,75	1,93	83	100
THGT/6-800-3/-1,1	800	1,1	2,69	90	107
THGT/6-800-3/-1,5	800	1,5	3,7	93	110

TECHNICAL CHARACTERISTICS - F400 120 - 6 POLES (CONTINUATION)

Model	Diameter (mm)	Motor power	Full load current at 400V (A)	Weight (kg)		Model	Diameter (mm)	Motor power	Full load current at 400V (A)	Weight (kg)	
				Short casing	Long casing					Short casing	Long casing
THGT/6-800-6/-0,75	800	0,75	1,93	86	103	THGT/6-1120-3/-1,5	1120	1,5	3,7	130	162
THGT/6-800-6/-1,1	800	1,1	2,69	93	110	THGT/6-1120-3/-2,2	1120	2,2	5,22	144	176
THGT/6-800-6/-1,5	800	1,5	3,7	96	113	THGT/6-1120-3/-3	1120	3	6,91	163	195
THGT/6-800-6/-2,2	800	2,2	5,22	110	127	THGT/6-1120-3/-4	1120	4	9,11	168	200
						THGT/6-1120-3/-5,5	1120	5,5	12,9	176	208
THGT/6-800-9/-0,75	800	0,75	1,93	90	107						
THGT/6-800-9/-1,1	800	1,1	2,69	97	114	THGT/6-1120-6/-2,2	1120	2,2	5,22	149	186
THGT/6-800-9/-1,5	800	1,5	3,7	100	117	THGT/6-1120-6/-3	1120	3	6,91	168	205
THGT/6-800-9/-2,2	800	2,2	5,22	114	131	THGT/6-1120-6/-4	1120	4	9,11	173	210
THGT/6-800-9/-3	800	3	6,91	133	150	THGT/6-1120-6/-5,5	1120	5,5	12,9	181	218
						THGT/6-1120-6/-7,5	1120	7,5	14,8	221	258
THGT/6-900-3/-1,5	900	1,5	3,7	106	125	THGT/6-1120-6/-11	1120	11	21,9	243	280
THGT/6-900-3/-2,2	900	2,2	5,22	120	139						
						THGT/6-1120-9/-4	1120	4	9,11	179	238
THGT/6-900-6/-1,5	900	1,5	3,7	111	130	THGT/6-1120-9/-5,5	1120	5,5	12,9	187	246
THGT/6-900-6/-2,2	900	2,2	5,22	125	144	THGT/6-1120-9/-7,5	1120	7,5	14,8	227	286
THGT/6-900-6/-3	900	3	6,91	144	163	THGT/6-1120-9/-11	1120	11	21,9	249	308
						THGT/6-1120-9/-15	1120	15	28,2	294	353
THGT/6-900-9/-1,5	900	1,5	3,7	115	134						
THGT/6-900-9/-2,2	900	2,2	5,22	129	148	THGT/6-1250-3/-2,2	1250	2,2	5,22	160	202
THGT/6-900-9/-3	900	3	6,91	148	167	THGT/6-1250-3/-3	1250	3	6,91	179	221
THGT/6-900-9/-5,5	900	5,5	12,9	161	180	THGT/6-1250-3/-4	1250	4	9,11	184	226
						THGT/6-1250-3/-5,5	1250	5,5	12,9	192	234
THGT/6-1000-3/-1,5	1000	1,5	3,7	114	135	THGT/6-1250-3/-7,5	1250	7,5	14,8	232	274
THGT/6-1000-3/-2,2	1000	2,2	5,22	128	149	THGT/6-1250-3/-11	1250	11	21,9	254	296
THGT/6-1000-3/-3	1000	3	6,91	147	168						
THGT/6-1000-3/-4	1000	4	9,11	152	173	THGT/6-1250-6/-4	1250	4	9,11	190	232
						THGT/6-1250-6/-5,5	1250	5,5	12,9	198	240
THGT/6-1000-6/-1,5	1000	1,5	3,7	119	140	THGT/6-1250-6/-7,5	1250	7,5	14,8	238	280
THGT/6-1000-6/-2,2	1000	2,2	5,22	133	154	THGT/6-1250-6/-11	1250	11	21,9	260	302
THGT/6-1000-6/-3	1000	3	6,91	152	173	THGT/6-1250-6/-15	1250	15	28,2	305	347
THGT/6-1000-6/-4	1000	4	9,11	157	178						
THGT/6-1000-6/-5,5	1000	5,5	12,9	165	186	THGT/6-1250-9/-5,5	1250	5,5	12,9	204	246
						THGT/6-1250-9/-7,5	1250	7,5	14,8	244	286
THGT/6-1000-9/-2,2	1000	2,2	5,22	138	159	THGT/6-1250-9/-11	1250	11	21,9	266	308
THGT/6-1000-9/-3	1000	3	6,91	157	178	THGT/6-1250-9/-15	1250	15	28,2	311	353
THGT/6-1000-9/-4	1000	4	9,11	162	183	THGT/6-1250-9/-18,5	1250	18,5	35,9	341	383
THGT/6-1000-9/-5,5	1000	5,5	12,9	170	191	THGT/6-1250-9/-22	1250	22	42,4	351	393
THGT/6-1000-9/-7,5	1000	7,5	14,8	210	231						
						THGT/6-1409-3/-7,5	1409	7,5	14,8	390	544
						THGT/6-1409-3/-11	1409	11	21,9	412	566
						THGT/6-1409-3/-15	1409	15	28,2	457	611
						THGT/6-1409-3/-18,5	1409	18,5	35,9	487	641

TECHNICAL CHARACTERISTICS - F400 120 - 6 POLES (CONTINUATION)

Model	Diameter (mm)	Motor power	Full load current at 400V (A)		Weight (kg)	
			HS	LS	Short casing	Long casing
THGT/6-1409-6/-11	1409	11	21,9		425	579
THGT/6-1409-6/-15	1409	15	28,2		470	624
THGT/6-1409-6/-18,5	1409	18,5	35,9		500	654
THGT/6-1409-6/-22	1409	22	42,4		510	664
THGT/6-1409-6/-30	1409	30	55,4		665	819
THGT/6-1409-6/-37	1409	37	67,2		724	878
THGT/6-1409-9/-15	1409	15	28,2		483	637
THGT/6-1409-9/-18,5	1409	18,5	35,9		513	667
THGT/6-1409-9/-22	1409	22	42,4		523	677
THGT/6-1409-9/-30	1409	30	55,4		678	832
THGT/6-1409-9/-37	1409	37	67,2		737	891
THGT/6-1409-9/-45	1409	45	84,4		949	1103
THGT/6-1409-12/-18,5	1409	18,5	35,9		526	680
THGT/6-1409-12/-22	1409	22	42,4		536	690
THGT/6-1409-12/-30	1409	30	55,4		691	845
THGT/6-1409-12/-37	1409	37	67,2		750	904
THGT/6-1409-12/-45	1409	45	84,4		962	1116
THGT/6-1409-12/-55	1409	55	103		987	1141
THGT/6-1609-3/-11	1609	11	21,9		465	665
THGT/6-1609-3/-15	1609	15	28,2		510	710
THGT/6-1609-3/-18,5	1609	18,5	35,9		540	740
THGT/6-1609-3/-22	1609	22	42,4		550	750
THGT/6-1609-3/-30	1609	30	55,4		705	905
THGT/6-1609-3/-37	1609	37	67,2		773	973

Model	Diameter (mm)	Motor power	Full load current at 400V (A)		Weight (kg)	
			HS	LS	Short casing	Long casing
THGT/6-1609-6/-18,5	1609	18,5	35,9		554	754
THGT/6-1609-6/-22	1609	22	42,4		564	764
THGT/6-1609-6/-30	1609	30	55,4		719	919
THGT/6-1609-6/-37	1609	37	67,2		787	987
THGT/6-1609-6/-45	1609	45	84,4		999	1199
THGT/6-1609-6/-55	1609	55	103		1024	1224
THGT/6-1609-6/-75	1609	75	139		1284	1484
THGT/6-1609-9/-22	1609	22	42,4		578	778
THGT/6-1609-9/-30	1609	30	55,4		733	933
THGT/6-1609-9/-37	1609	37	67,2		801	1001
THGT/6-1609-9/-45	1609	45	84,4		1013	1213
THGT/6-1609-9/-55	1609	55	103		1038	1238
THGT/6-1609-9/-75	1609	75	139		1298	1498
THGT/6-1609-12/-22	1609	22	42,4		593	793
THGT/6-1609-12/-30	1609	30	55,4		748	948
THGT/6-1609-12/-37	1609	37	67,2		816	1016
THGT/6-1609-12/-45	1609	45	84,4		1028	1228
THGT/6-1609-12/-55	1609	55	103		1053	1253
THGT/6-1609-12/-75	1609	75	139		1313	1513
THGT/6-1609-12/-90	1609	90	165		1383	1583

TECHNICAL CHARACTERISTICS - F400 120 - 2/4 POLES - (ONE PIECE IMPELLER)

Model	Diameter (mm)	Motor power		Full load current 400V (A)		Weight (kg)
		HS	LS	HS	LS	
THGT/2/4-400-6/27 L	400	1,1	0,25	2,4	0,8	48
THGT/2/4-400-6/32 L	400	1,5	0,37	3,5	1,3	50
THGT/2/4-450-6/22 L	450	1,5	0,37	3,5	1,3	60
THGT/2/4-450-6/27 L	450	2,2	0,5	4,6	1,5	64
THGT/2/4-450-6/32 L	450	3,1	0,8	6,2	2,0	75
THGT/2/4-500-6/17 L	500	1,5	0,37	3,5	1,3	61
THGT/2/4-500-6/22 L	500	3,1	0,8	6,2	2,0	76
THGT/2/4-500-6/27 L	500	4,4	1,1	8,6	2,8	86

Model	Diameter (mm)	Motor power		Full load current 400V (A)		Weight (kg)
		HS	LS	HS	LS	
THGT/2/4-560-6/17 L	560	4,4	1,1	8,6	2,8	102
THGT/2/4-560-6/22 L	560	6	1,5	11,4	3,7	117
THGT/2/4-560-6/27 L	560	8	2	15,3	4,8	126
THGT/2/4-630-6/17 L	630	12	3	23,1	7,3	182
THGT/2/4-630-6/22 L	630	12	3	23,1	7,3	182
THGT/2/4-630-6/27 L	630	8	2	15,3	4,8	131

TECHNICAL CHARACTERISTICS - F400 120 - 4/8 POLES

Model	Diameter (mm)	Motor power		Full load current 400V (A)		Weight (kg)	
		HS	LS	HS	LS	Short casing	Long casing
THGT/4/8-400-6/-0,55/0,09	400	0,55	0,09	1,7	0,8	41,1	47
THGT/4/8-450-6/-0,55/0,09	450	0,55	0,09	1,7	0,8	48,5	57
THGT/4/8-500-6/-0,55/0,09	500	0,55	0,09	1,7	0,8	49	58
THGT/4/8-500-6/-0,75/0,12	500	0,75	0,12	1,9	0,8	49	58
THGT/4/8-500-6/-1,1/0,18	500	1,1	0,18	2,7	1,2	61	70
THGT/4/8-560-6/-0,55/0,09	560	0,55	0,09	1,7	0,8	57	74
THGT/4/8-560-6/-0,75/0,12	560	0,75	0,12	1,9	0,8	57	74
THGT/4/8-560-6/-1,1/0,18	560	1,1	0,18	2,7	1,2	69	86
THGT/4/8-560-6/-1,5/0,25	560	1,5	0,25	3,7	1,6	72	89
THGT/4/8-560-6/-2,2/0,37	560	2,2	0,37	4,7	1,7	80	97
THGT/4/8-630-6/-0,55/0,09	630	0,55	0,09	1,7	0,8	64	79
THGT/4/8-630-6/-0,75/0,12	630	0,75	0,12	1,9	0,8	64	79
THGT/4/8-630-6/-1,1/0,18	630	1,1	0,18	2,7	1,2	76	91
THGT/4/8-630-6/-1,5/0,25	630	1,5	0,25	3,7	1,6	79	94
THGT/4/8-630-6/-2,2/0,37	630	2,2	0,37	4,7	1,7	87	102
THGT/4/8-630-6/-3/0,55	630	3	0,55	6,3	2,4	88	103
THGT/4/8-630-6/-4/0,75	630	4	0,75	8,4	2,3	95	110
THGT/4/8-710-5/-0,75/0,12	710	0,75	0,12	1,9	0,8	61	85
THGT/4/8-710-5/-1,1/0,18	710	1,1	0,18	2,7	1,2	73	97
THGT/4/8-710-5/-1,5/0,25	710	1,5	0,25	3,7	1,6	76	100
THGT/4/8-710-5/-2,2/0,37	710	2,2	0,37	4,7	1,7	84	108
THGT/4/8-710-5/-3/0,55	710	3	0,55	6,3	2,4	85	109
THGT/4/8-710-5/-4/0,75	710	4	0,75	8,4	2,3	92	116
THGT/4/8-710-5/-5,5/1,1	710	5,5	1,1	11,7	3,7	114	138
THGT/4/8-710-7/-1,1/0,18	710	1,1	0,18	2,7	1,2	79	99
THGT/4/8-710-7/-1,5/0,25	710	1,5	0,25	3,7	1,6	82	102
THGT/4/8-710-7/-2,2/0,37	710	2,2	0,37	4,7	1,7	90	110
THGT/4/8-710-7/-3/0,55	710	3	0,55	6,3	2,4	91	111
THGT/4/8-710-7/-4/0,75	710	4	0,75	8,4	2,3	98	118
THGT/4/8-710-7/-5,5/1,1	710	5,5	1,1	11,7	3,7	120	140
THGT/4/8-800-3/-1,1/0,18	800	1,1	0,18	2,7	1,2	88	105
THGT/4/8-800-3/-1,5/0,25	800	1,5	0,25	3,7	1,6	91	108
THGT/4/8-800-3/-2,2/0,37	800	2,2	0,37	4,7	1,7	99	116
THGT/4/8-800-3/-3/0,55	800	3	0,55	6,3	2,4	100	117
THGT/4/8-800-3/-4/0,75	800	4	0,75	8,4	2,3	107	124

Model	Diameter (mm)	Motor power		Full load current 400V (A)		Weight (kg)	
		HS	LS	HS	LS	Short casing	Long casing
THGT/4/8-800-6/-1,5/0,25	800	1,5	0,25	3,7	1,6	94	111
THGT/4/8-800-6/-2,2/0,37	800	2,2	0,37	4,7	1,7	102	119
THGT/4/8-800-6/-3/0,55	800	3	0,55	6,3	2,4	103	120
THGT/4/8-800-6/-4/0,75	800	4	0,75	8,4	2,3	110	127
THGT/4/8-800-6/-5,5/1,1	800	5,5	1,1	11,7	3,7	132	149
THGT/4/8-800-6/-7,5/1,5	800	7,5	1,5	15,9	4,7	145	162
THGT/4/8-800-9/-2,2/0,37	800	2,2	0,37	4,7	1,7	106	123
THGT/4/8-800-9/-3/0,55	800	3	0,55	6,3	2,4	107	124
THGT/4/8-800-9/-4/0,75	800	4	0,75	8,4	2,3	114	131
THGT/4/8-800-9/-5,5/1,1	800	5,5	1,1	11,7	3,7	136	153
THGT/4/8-800-9/-7,5/1,5	800	7,5	1,5	15,9	4,7	149	166
THGT/4/8-900-3/-2,2/0,37	900	2,2	0,37	4,7	1,7	112	131
THGT/4/8-900-3/-3/0,55	900	3	0,55	6,3	2,4	113	132
THGT/4/8-900-3/-4/0,75	900	4	0,75	8,4	2,3	120	139
THGT/4/8-900-3/-5,5/1,1	900	5,5	1,1	11,7	3,7	142	161
THGT/4/8-900-3/-7,5/1,5	900	7,5	1,5	15,9	4,7	155	174
THGT/4/8-900-6/-2,2/0,37	900	2,2	0,37	4,7	1,7	117	136
THGT/4/8-900-6/-3/0,55	900	3	0,55	6,3	2,4	118	137
THGT/4/8-900-6/-4/0,75	900	4	0,75	8,4	2,3	125	144
THGT/4/8-900-6/-5,5/1,1	900	5,5	1,1	11,7	3,7	147	166
THGT/4/8-900-6/-7,5/1,5	900	7,5	1,5	15,9	4,7	160	179
THGT/4/8-900-6/-11/3	900	11	3	21,0	7,0	191	210
THGT/4/8-900-9/-4/0,75	900	4	0,75	8,4	2,3	129	148
THGT/4/8-900-9/-5,5/1,1	900	5,5	1,1	11,7	3,7	151	170
THGT/4/8-900-9/-7,5/1,5	900	7,5	1,5	15,9	4,7	164	183
THGT/4/8-900-9/-11/3	900	11	3	21,0	7,0	195	214
THGT/4/8-900-9/-14/3,5	900	14	3,5	26,5	8,5	214	233
THGT/4/8-1000-3/-2,2/0,37	1000	2,2	0,37	4,7	1,7	120	141
THGT/4/8-1000-3/-3/0,55	1000	3	0,55	6,3	2,4	121	142
THGT/4/8-1000-3/-4/0,75	1000	4	0,75	8,4	2,3	128	149
THGT/4/8-1000-3/-5,5/1,1	1000	5,5	1,1	11,7	3,7	150	171
THGT/4/8-1000-3/-7,5/1,5	1000	7,5	1,5	15,9	4,7	163	184
THGT/4/8-1000-3/-11/3	1000	11	3	21,0	7,0	194	215
THGT/4/8-1000-6/-4/0,75	1000	4	0,75	8,4	2,3	133	154
THGT/4/8-1000-6/-5,5/1,1	1000	5,5	1,1	11,7	3,7	155	176
THGT/4/8-1000-6/-7,5/1,5	1000	7,5	1,5	15,9	4,7	168	189
THGT/4/8-1000-6/-11/3	1000	11	3	21,0	7,0	199	220
THGT/4/8-1000-6/-14/3,5	1000	14	3,5	26,5	8,5	218	239
THGT/4/8-1000-6/-17/4,3	1000	17	4,3	33,4	12,7	249	270
THGT/4/8-1000-6/-20/5	1000	20	5	38,6	14,1	264	285

TECHNICAL CHARACTERISTICS - F400 120 - 4/8 POLES (CONTINUATION)

Model	Diameter (mm)	Motor power		Full load current 400V (A)		Weight (kg)	
		HS	LS	HS	LS	Short casing	Long casing

THGT/4/8-1000-9/-5,5/1,1	1000	5,5	1,1	11,7	3,7	160	181
THGT/4/8-1000-9/-7,5/1,5	1000	7,5	1,5	15,9	4,7	173	194
THGT/4/8-1000-9/-11/3	1000	11	3	21,0	7,0	204	225
THGT/4/8-1000-9/-14/3,5	1000	14	3,5	26,5	8,5	223	244
THGT/4/8-1000-9/-17/4,3	1000	17	4,3	33,4	12,7	254	275
THGT/4/8-1000-9/-20/5	1000	20	5	38,6	14,1	269	290

THGT/4/8-1120-3/-4/0,75	1120	4	0,75	8,4	2,3	144	176
THGT/4/8-1120-3/-5,5/1,1	1120	5,5	1,1	11,7	3,7	166	198
THGT/4/8-1120-3/-7,5/1,5	1120	7,5	1,5	15,9	4,7	179	211
THGT/4/8-1120-3/-11/3	1120	11	3	21,0	7,0	210	242
THGT/4/8-1120-3/-14/3,5	1120	14	3,5	26,5	8,5	229	261
THGT/4/8-1120-3/-17/4,3	1120	17	4,3	33,4	12,7	260	292
THGT/4/8-1120-3/-20/5	1120	20	5	38,6	14,1	275	307

THGT/4/8-1120-6/-7,5/1,5	1120	7,5	1,5	15,9	4,7	184	221
THGT/4/8-1120-6/-11/3	1120	11	3	21,0	7,0	215	252
THGT/4/8-1120-6/-14/3,5	1120	14	3,5	26,5	8,5	234	271
THGT/4/8-1120-6/-17/4,3	1120	17	4,3	33,4	12,7	265	302
THGT/4/8-1120-6/-20/5	1120	20	5	38,6	14,1	280	317
THGT/4/8-1120-6/-28/6,5	1120	28	6,5	52,0	18,0	338	375
THGT/4/8-1120-6/-30/8	1120	30	8	56,5	21,8	368	405

THGT/4/8-1120-9/-11/3	1120	11	3	21,0	7,0	221	280
THGT/4/8-1120-9/-14/3,5	1120	14	3,5	26,5	8,5	240	299
THGT/4/8-1120-9/-17/4,3	1120	17	4,3	33,4	12,7	271	330
THGT/4/8-1120-9/-20/5	1120	20	5	38,6	14,1	286	345
THGT/4/8-1120-9/-28/6,5	1120	28	6,5	52,0	18,0	344	403
THGT/4/8-1120-9/-30/8	1120	30	8	56,5	21,8	374	433
THGT/4/8-1120-9/-37/9,2	1120	37	9,2	74,2	25,4	477	536
THGT/4/8-1120-9/-44/11	1120	44	11	80,2	27,2	534	593

THGT/4/8-1250-3/-5,5/1,1	1250	5,5	1,1	11,7	3,7	182	224
THGT/4/8-1250-3/-7,5/1,5	1250	7,5	1,5	15,9	4,7	195	237
THGT/4/8-1250-3/-11/3	1250	11	3	21,0	7,0	226	268
THGT/4/8-1250-3/-14/3,5	1250	14	3,5	26,5	8,5	245	287
THGT/4/8-1250-3/-17/4,3	1250	17	4,3	33,4	12,7	276	318
THGT/4/8-1250-3/-20/5	1250	20	5	38,6	14,1	291	333
THGT/4/8-1250-3/-28/6,5	1250	28	6,5	52,0	18,0	349	391

Model	Diameter (mm)	Motor power		Full load current 400V (A)		Weight (kg)	
		HS	LS	HS	LS	Short casing	Long casing

THGT/4/8-1250-6/-11/3	1250	11	3	21,0	7,0	232	274
THGT/4/8-1250-6/-14/3,5	1250	14	3,5	26,5	8,5	251	293
THGT/4/8-1250-6/-17/4,3	1250	17	4,3	33,4	12,7	282	324
THGT/4/8-1250-6/-20/5	1250	20	5	38,6	14,1	297	339
THGT/4/8-1250-6/-28/6,5	1250	28	6,5	52,0	18,0	355	397
THGT/4/8-1250-6/-30/8	1250	30	8	56,5	21,8	385	427
THGT/4/8-1250-6/-37/9,2	1250	37	9,2	74,2	25,4	488	530
THGT/4/8-1250-6/-44/11	1250	44	11	80,2	27,2	545	587

THGT/4/8-1250-9/-14/3,5	1250	14	3,5	26,5	8,5	257	299
THGT/4/8-1250-9/-17/4,3	1250	17	4,3	33,4	12,7	288	330
THGT/4/8-1250-9/-20/5	1250	20	5	38,6	14,1	303	345
THGT/4/8-1250-9/-28/6,5	1250	28	6,5	52,0	18,0	361	403
THGT/4/8-1250-9/-30/8	1250	30	8	56,5	21,8	391	433
THGT/4/8-1250-9/-37/9,2	1250	37	9,2	74,2	25,4	494	536
THGT/4/8-1250-9/-44/11	1250	44	11	80,2	27,2	551	593

THGT/4/8-1250-12/-17/4,3	1250	17	4,3	33,4	12,7	294	336
THGT/4/8-1250-12/-20/5	1250	20	5	38,6	14,1	309	351
THGT/4/8-1250-12/-28/6,5	1250	28	6,5	52,0	18,0	367	409
THGT/4/8-1250-12/-30/8	1250	30	8	56,5	21,8	397	439
THGT/4/8-1250-12/-37/9,2	1250	37	9,2	74,2	25,4	500	542
THGT/4/8-1250-12/-44/11	1250	44	11	80,2	27,2	557	599

THGT/4/8-1409-3/-14/3,5	1400	14	3,5	26,5	8,5	403	557
THGT/4/8-1409-3/-17/4,3	1400	17	4,3	33,4	12,7	434	588
THGT/4/8-1409-3/-20/5	1400	20	5	38,6	14,1	449	603
THGT/4/8-1409-3/-28/6,5	1400	28	6,5	52,0	18,0	507	661
THGT/4/8-1409-3/-30/8	1400	30	8	56,5	21,8	537	691
THGT/4/8-1409-3/-37/9,2	1400	37	9,2	74,2	25,4	640	794
THGT/4/8-1409-3/-44/11	1400	44	11	80,2	27,2	697	851
THGT/4/8-1409-3/-55/14,7	1400	55	14,7	100,0	36,5	731	885

THGT/4/8-1409-6/-28/6,5	1400	28	6,5	52,0	18,0	520	674
THGT/4/8-1409-6/-30/8	1400	30	8	56,5	21,8	550	704
THGT/4/8-1409-6/-37/9,2	1400	37	9,2	74,2	25,4	653	807
THGT/4/8-1409-6/-44/11	1400	44	11	80,2	27,2	710	864
THGT/4/8-1409-6/-55/14,7	1400	55	14,7	100,0	36,5	744	898
THGT/4/8-1409-6/-68/17	1400	68	17	127,0	44,0	946	1100
THGT/4/8-1409-6/-80/20	1400	80	20	149,0	51,5	986	1140
THGT/4/8-1409-6/-110/27	1400	110	27	196,0	65,3	1051	1205
THGT/4/8-1409-6/-130/33	1400	130	33	225,0	76,1	1081	1235

TECHNICAL CHARACTERISTICS - F400 120 - 4/8 POLES (CONTINUATION)

Model	Diameter (mm)	Motor power		Full load current 400V (A)		Weight (kg)	
		HS	LS	HS	LS	Short casing	Long casing
THGT/4/8-1409-9/-37/9,2	1400	37	9,2	74,2	25,4	666	820
THGT/4/8-1409-9/-44/11	1400	44	11	80,2	27,2	723	877
THGT/4/8-1409-9/-55/14,7	1400	55	14,7	100,0	36,5	757	911
THGT/4/8-1409-9/-68/17	1400	68	17	127,0	44,0	959	1113
THGT/4/8-1409-9/-80/20	1400	80	20	149,0	51,5	999	1153
THGT/4/8-1409-9/-110/27	1400	110	27	196,0	65,3	1064	1218
THGT/4/8-1409-9/-130/33	1400	130	33	225,0	76,1	1094	1248
THGT/4/8-1409-9/-160/40	1400	160	40	292,0	107,0	1214	1368
THGT/4/8-1409-12/-55/14,7	1400	55	14,7	100,0	36,5	770	924
THGT/4/8-1409-12/-68/17	1400	68	17	127,0	44,0	972	1126
THGT/4/8-1409-12/-80/20	1400	80	20	149,0	51,5	1012	1166
THGT/4/8-1409-12/-110/27	1400	110	27	196,0	65,3	1077	1231
THGT/4/8-1409-12/-130/33	1400	130	33	225,0	76,1	1107	1261
THGT/4/8-1409-12/-160/40	1400	160	40	292,0	107,0	1227	1381
THGT/4/8-1609-3/-30/8	1600	30	8	56,5	21,8	590	790
THGT/4/8-1609-3/-37/9,2	1600	37	9,2	74,2	25,4	693	893
THGT/4/8-1609-3/-44/11	1600	44	11	80,2	27,2	750	950
THGT/4/8-1609-3/-55/14,7	1600	55	14,7	100,0	36,5	793	993
THGT/4/8-1609-3/-68/17	1600	68	17	127,0	44,0	995	1195
THGT/4/8-1609-3/-80/20	1600	80	20	149,0	51,5	1035	1235
THGT/4/8-1609-3/-110/27	1600	110	27	196,0	65,3	1100	1300
THGT/4/8-1609-3/-130/33	1600	130	33	225,0	76,1	1130	1330

Model	Diameter (mm)	Motor power		Full load current 400V (A)		Weight (kg)	
		HS	LS	HS	LS	Short casing	Long casing
THGT/4/8-1609-6/-55/14,7	1600	55	14,7	100,0	36,5	807	1007
THGT/4/8-1609-6/-68/17	1600	68	17	127,0	44,0	1009	1209
THGT/4/8-1609-6/-80/20	1600	80	20	149,0	51,5	1049	1249
THGT/4/8-1609-6/-110/27	1600	110	27	196,0	65,3	1114	1314
THGT/4/8-1609-6/-130/33	1600	130	33	225,0	76,1	1144	1344
THGT/4/8-1609-6/-160/40	1600	160	40	292,0	107,0	1264	1464
THGT/4/8-1609-9/-68/17	1600	68	17	127,0	44,0	1023	1223
THGT/4/8-1609-9/-80/20	1600	80	20	149,0	51,5	1063	1263
THGT/4/8-1609-9/-110/27	1600	110	27	196,0	65,3	1128	1328
THGT/4/8-1609-9/-130/33	1600	130	33	225,0	76,1	1158	1358
THGT/4/8-1609-9/-160/40	1600	160	40	292,0	107,0	1278	1478
THGT/4/8-1609-12/-80/20	1600	80	20	149,0	51,5	1078	1278
THGT/4/8-1609-12/-110/27	1600	110	27	196,0	65,3	1143	1343
THGT/4/8-1609-12/-130/33	1600	130	33	225,0	76,1	1173	1373
THGT/4/8-1609-12/-160/40	1600	160	40	292,0	107,0	1293	1493

TECHNICAL CHARACTERISTICS - F400 120 - 4/6 POLES

Model	Diameter (mm)	Motor power		Full load current 400V (A)		Weight (kg)	
		HS	LS	HS	LS	Short casing	Long casing
THGT/4/6-400-6/-0,55/0,2	400	0,55	0,2	1,8	1,1	37,1	43
THGT/4/6-450-6/-0,55/0,2	450	0,55	0,2	1,8	1,1	44,5	53
THGT/4/6-500-6/-0,55/0,2	500	0,55	0,2	1,8	1,1	45	54
THGT/4/6-500-6/-0,75/0,25	500	0,75	0,25	1,9	1,3	46	55
THGT/4/6-500-6/-1,1/0,3	500	1,1	0,3	2,8	1,5	50	59
THGT/4/6-560-6/-0,55/0,2	560	0,55	0,2	1,8	1,1	53	70
THGT/4/6-560-6/-0,75/0,25	560	0,75	0,25	1,9	1,3	54	71
THGT/4/6-560-6/-1,1/0,3	560	1,1	0,3	2,8	1,5	58	75
THGT/4/6-560-6/-1,5/0,37	560	1,5	0,37	3,7	1,6	62	79

Model	Diameter (mm)	Motor power		Full load current 400V (A)		Weight (kg)	
		HS	LS	HS	LS	Short casing	Long casing
THGT/4/6-630-6/-0,55/0,2	630	0,55	0,2	1,8	1,1	60	75
THGT/4/6-630-6/-0,75/0,25	630	0,75	0,25	1,9	1,3	61	76
THGT/4/6-630-6/-1,1/0,3	630	1,1	0,3	2,8	1,5	65	80
THGT/4/6-630-6/-1,5/0,37	630	1,5	0,37	3,7	1,6	69	84
THGT/4/6-630-6/-2,2/0,7	630	2,2	0,7	4,9	2,5	76	91
THGT/4/6-630-6/-3/1	630	3	1	6,9	3,9	85	100
THGT/4/6-710-5/-0,75/0,25	710	0,75	0,25	1,9	1,3	58	82
THGT/4/6-710-5/-1,1/0,3	710	1,1	0,3	2,8	1,5	62	86
THGT/4/6-710-5/-1,5/0,37	710	1,5	0,37	3,7	1,6	66	90
THGT/4/6-710-5/-2,2/0,7	710	2,2	0,7	4,9	2,5	73	97
THGT/4/6-710-5/-3/1	710	3	1	6,9	3,9	82	106
THGT/4/6-710-5/-4,5/1,5	710	4,5	1,5	10,2	5,4	114	138
THGT/4/6-710-5/-6/2,2	710	6	2,2	13,7	7,0	125	149

TECHNICAL CHARACTERISTICS - F400 120 - 4/6 POLES (CONTINUATION)

Model	Diameter (mm)	Motor power		Full load current 400V (A)		Weight (kg)	
		HS	LS	HS	LS	Short casing	Long casing

THGT/4/6-710-7/-1,1/0,3	710	1,1	0,3	2,8	1,5	68	88
THGT/4/6-710-7/-1,5/0,37	710	1,5	0,37	3,7	1,6	72	92
THGT/4/6-710-7/-2,2/0,7	710	2,2	0,7	4,9	2,5	79	99
THGT/4/6-710-7/-3/1	710	3	1	6,9	3,9	88	108
THGT/4/6-710-7/-4,5/1,5	710	4,5	1,5	10,2	5,4	120	140
THGT/4/6-710-7/-6/2,2	710	6	2,2	13,7	7,0	131	151

THGT/4/6-800-3/-1,1/0,3	800	1,1	0,3	2,8	1,5	77	94
THGT/4/6-800-3/-1,5/0,37	800	1,5	0,37	3,7	1,6	81	98
THGT/4/6-800-3/-2,2/0,7	800	2,2	0,7	4,9	2,5	88	105
THGT/4/6-800-3/-3/1	800	3	1	6,9	3,9	97	114
THGT/4/6-800-3/-4,5/1,5	800	4,5	1,5	10,2	5,4	129	146
THGT/4/6-800-3/-6/2,2	800	6	2,2	13,7	7,0	140	157

THGT/4/6-800-6/-1,5/0,37	800	1,5	0,37	3,7	1,6	84	101
THGT/4/6-800-6/-2,2/0,7	800	2,2	0,7	4,9	2,5	91	108
THGT/4/6-800-6/-3/1	800	3	1	6,9	3,9	100	117
THGT/4/6-800-6/-4,5/1,5	800	4,5	1,5	10,2	5,4	132	149
THGT/4/6-800-6/-6/2,2	800	6	2,2	13,7	7,0	143	160

THGT/4/6-800-9/-2,2/0,7	800	2,2	0,7	4,9	2,5	95	112
THGT/4/6-800-9/-3/1	800	3	1	6,9	3,9	104	121
THGT/4/6-800-9/-4,5/1,5	800	4,5	1,5	10,2	5,4	136	153
THGT/4/6-800-9/-6/2,2	800	6	2,2	13,7	7,0	147	164

THGT/4/6-900-3/-10/3,3	900	10	3,3	22,0	8,7	194	213
THGT/4/6-900-3/-2,2/0,7	900	2,2	0,7	4,9	2,5	101	120
THGT/4/6-900-3/-3/1	900	3	1	6,9	3,9	110	129
THGT/4/6-900-3/-4,5/1,5	900	4,5	1,5	10,2	5,4	142	161
THGT/4/6-900-3/-6/2,2	900	6	2,2	13,7	7,0	153	172

THGT/4/6-900-6/-10/3,3	900	10	3,3	22,0	8,7	199	218
THGT/4/6-900-6/-14/4,5	900	14	4,5	29,5	11,2	214	233
THGT/4/6-900-6/-2,2/0,7	900	2,2	0,7	4,9	2,5	106	125
THGT/4/6-900-6/-3/1	900	3	1	6,9	3,9	115	134
THGT/4/6-900-6/-4,5/1,5	900	4,5	1,5	10,2	5,4	147	166
THGT/4/6-900-6/-6/2,2	900	6	2,2	13,7	7,0	158	177

Model	Diameter (mm)	Motor power		Full load current 400V (A)		Weight (kg)	
		HS	LS	HS	LS	Short casing	Long casing

THGT/4/6-900-9/-10/3,3	900	10	3,3	22	8,7	203	222
THGT/4/6-900-9/-14/4,5	900	14	4,5	29,5	11,2	218	237
THGT/4/6-900-9/-4,5/1,5	900	4,5	1,5	10,2	5,4	151	170
THGT/4/6-900-9/-6/2,2	900	6	2,2	13,7	7	162	181

THGT/4/6-1000-3/-10/3,3	1000	10	3,3	22	8,7	202	223
THGT/4/6-1000-3/-14/4,5	1000	14	4,5	29,5	11,2	217	238
THGT/4/6-1000-3/-2,2/0,7	1000	2,2	0,7	4,9	2,5	109	130
THGT/4/6-1000-3/-3/1	1000	3	1	6,9	3,9	118	139
THGT/4/6-1000-3/-4,5/1,5	1000	4,5	1,5	10,2	5,4	150	171
THGT/4/6-1000-3/-6/2,2	1000	6	2,2	13,7	7	161	182

THGT/4/6-1000-6/-10/3,3	1000	10	3,3	22	8,7	207	228
THGT/4/6-1000-6/-14/4,5	1000	14	4,5	29,5	11,2	222	243
THGT/4/6-1000-6/-16/6,5	1000	16	6,5	28,4	12,5	282	303
THGT/4/6-1000-6/-20/8,5	1000	20	8,5	34,9	16,3	317	338
THGT/4/6-1000-6/-4,5/1,5	1000	4,5	1,5	10,2	5,4	155	176
THGT/4/6-1000-6/-6/2,2	1000	6	2,2	13,7	7	166	187

THGT/4/6-1000-9/-10/3,3	1000	10	3,3	22	8,7	212	233
THGT/4/6-1000-9/-14/4,5	1000	14	4,5	29,5	11,2	227	248
THGT/4/6-1000-9/-16/6,5	1000	16	6,5	28,4	12,5	287	308
THGT/4/6-1000-9/-20/8,5	1000	20	8,5	34,9	16,3	322	343
THGT/4/6-1000-9/-6/2,2	1000	6	2,2	13,7	7	171	192

THGT/4/6-1120-3/-10/3,3	1120	10	3,3	22	8,7	218	250
THGT/4/6-1120-3/-14/4,5	1120	14	4,5	29,5	11,2	233	265
THGT/4/6-1120-3/-16/6,5	1120	16	6,5	28,4	12,5	293	325
THGT/4/6-1120-3/-20/8,5	1120	20	8,5	34,9	16,3	328	360
THGT/4/6-1120-3/-4,5/1,5	1120	4,5	1,5	10,2	5,4	166	198
THGT/4/6-1120-3/-6/2,2	1120	6	2,2	13,7	7	177	209

THGT/4/6-1120-6/-10/3,3	1120	10	3,3	22	8,7	223	260
THGT/4/6-1120-6/-14/4,5	1120	14	4,5	29,5	11,2	238	275
THGT/4/6-1120-6/-16/6,5	1120	16	6,5	28,4	12,5	298	335
THGT/4/6-1120-6/-20/8,5	1120	20	8,5	34,9	16,3	333	370
THGT/4/6-1120-6/-26/9	1120	26	9	47,7	18,6	383	420
THGT/4/6-1120-6/-34/12	1120	34	12	65,6	28	482	519
THGT/4/6-1120-6/-6/2,2	1120	6	2,2	13,7	7	182	219

TECHNICAL CHARACTERISTICS - F400 120 - 4/6 POLES (CONTINUATION)

Model	Diameter (mm)	Motor power		Full load current 400V (A)		Weight (kg)	
		HS	LS	HS	LS	Short casing	Long casing
THGT/4/6-1120-9/-10/3,3	1120	10	3,3	22,0	8,7	229	288
THGT/4/6-1120-9/-14/4,5	1120	14	4,5	29,5	11,2	244	303
THGT/4/6-1120-9/-16/6,5	1120	16	6,5	28,4	12,5	304	363
THGT/4/6-1120-9/-20/8,5	1120	20	8,5	34,9	16,3	339	398
THGT/4/6-1120-9/-26/9	1120	26	9	47,7	18,6	389	448
THGT/4/6-1120-9/-34/12	1120	34	12	65,6	28,0	488	547
THGT/4/6-1120-9/-40/14	1120	40	14	75,5	29,0	542	601
THGT/4/6-1250-3/-10/3,3	1250	10	3,3	22,0	8,7	234	276
THGT/4/6-1250-3/-14/4,5	1250	14	4,5	29,5	11,2	249	291
THGT/4/6-1250-3/-16/6,5	1250	16	6,5	28,4	12,5	309	351
THGT/4/6-1250-3/-20/8,5	1250	20	8,5	34,9	16,3	344	386
THGT/4/6-1250-3/-26/9	1250	26	9	47,7	18,6	394	436
THGT/4/6-1250-3/-34/12	1250	34	12	65,6	28,0	493	535
THGT/4/6-1250-3/-6/2,2	1250	6	2,2	13,7	7,0	193	235
THGT/4/6-1250-6/-10/3,3	1250	10	3,3	22,0	8,7	240	282
THGT/4/6-1250-6/-14/4,5	1250	14	4,5	29,5	11,2	255	297
THGT/4/6-1250-6/-16/6,5	1250	16	6,5	28,4	12,5	315	357
THGT/4/6-1250-6/-20/8,5	1250	20	8,5	34,9	16,3	350	392
THGT/4/6-1250-6/-26/9	1250	26	9	47,7	18,6	400	442
THGT/4/6-1250-6/-34/12	1250	34	12	65,6	28,0	499	541
THGT/4/6-1250-6/-40/14	1250	40	14	75,5	29,0	553	595
THGT/4/6-1250-9/-14/4,5	1250	14	4,5	29,5	11,2	261	303
THGT/4/6-1250-9/-16/6,5	1250	16	6,5	28,4	12,5	321	363
THGT/4/6-1250-9/-20/8,5	1250	20	8,5	34,9	16,3	356	398
THGT/4/6-1250-9/-26/9	1250	26	9	47,7	18,6	406	448
THGT/4/6-1250-9/-34/12	1250	34	12	65,6	28,0	505	547
THGT/4/6-1250-9/-40/14	1250	40	14	75,5	29,0	559	601
THGT/4/6-1250-12/-20/8,5	1250	20	8,5	34,9	16,3	362	404
THGT/4/6-1250-12/-26/9	1250	26	9	47,7	18,6	412	454
THGT/4/6-1250-12/-34/12	1250	34	12	65,6	28,0	511	553
THGT/4/6-1250-12/-40/14	1250	40	14	75,5	29,0	565	607
THGT/4/6-1250-12/-50/18	1250	50	18	90,2	38,4	652	694
THGT/4/6-1409-3/-14/4,5	1400	14	4,5	29,5	11,2	407	561
THGT/4/6-1409-3/-16/6,5	1400	16	6,5	28,4	12,5	467	621
THGT/4/6-1409-3/-20/8,5	1400	20	8,5	34,9	16,3	502	656
THGT/4/6-1409-3/-26/9	1400	26	9	47,7	18,6	552	706
THGT/4/6-1409-3/-34/12	1400	34	12	65,6	28,0	651	805
THGT/4/6-1409-3/-40/14	1400	40	14	75,5	29,0	705	859
THGT/4/6-1409-3/-50/18	1400	50	18	90,2	38,4	801	955
THGT/4/6-1409-3/-70/25	1400	70	25	128,0	58,8	968	1122

Model	Diameter (mm)	Motor power		Full load current 400V (A)		Weight (kg)	
		HS	LS	HS	LS	Short casing	Long casing
THGT/4/6-1409-6/-26/9	1400	26	9	47,7	18,6	565	719
THGT/4/6-1409-6/-34/12	1400	34	12	65,6	28,0	664	818
THGT/4/6-1409-6/-40/14	1400	40	14	75,5	29,0	718	872
THGT/4/6-1409-6/-50/18	1400	50	18	90,2	38,4	814	968
THGT/4/6-1409-6/-70/25	1400	70	25	128,0	58,8	981	1135
THGT/4/6-1409-6/-80/28	1400	80	28	147,0	63,8	1044	1198
THGT/4/6-1409-6/-95/34	1400	95	34	173,0	66,3	1199	1353
THGT/4/6-1409-6/-115/40	1400	115	40	200,0	76,9	1306	1460
THGT/4/6-1409-9/-40/14	1400	40	14	75,5	29,0	731	885
THGT/4/6-1409-9/-50/18	1400	50	18	90,2	38,4	827	981
THGT/4/6-1409-9/-70/25	1400	70	25	128,0	58,8	994	1148
THGT/4/6-1409-9/-80/28	1400	80	28	147,0	63,8	1057	1211
THGT/4/6-1409-9/-95/34	1400	95	34	173,0	66,3	1212	1366
THGT/4/6-1409-9/-115/40	1400	115	40	200,0	76,9	1319	1473
THGT/4/6-1409-9/-125/45	1400	125	45	217,0	92,2	1319	1473
THGT/4/6-1409-9/-145/55	1400	145	55	264,0	116,0	1319	1473
THGT/4/6-1409-12/-50/18	1400	50	18	90,2	38,4	840	994
THGT/4/6-1409-12/-70/25	1400	70	25	128,0	58,8	1007	1161
THGT/4/6-1409-12/-80/28	1400	80	28	147,0	63,8	1070	1224
THGT/4/6-1409-12/-95/34	1400	95	34	173,0	66,3	1225	1379
THGT/4/6-1409-12/-115/40	1400	115	40	200,0	76,9	1332	1486
THGT/4/6-1409-12/-125/45	1400	125	45	217,0	92,2	1332	1486
THGT/4/6-1409-12/-145/55	1400	145	55	264,0	116,0	1332	1486
THGT/4/6-1609-3/-34/12	1600	34	12	65,6	28,0	704	904
THGT/4/6-1609-3/-40/14	1600	40	14	75,5	29,0	758	958
THGT/4/6-1609-3/-50/18	1600	50	18	90,2	38,4	863	1063
THGT/4/6-1609-3/-70/25	1600	70	25	128,0	58,8	1030	1230
THGT/4/6-1609-3/-80/28	1600	80	28	147,0	63,8	1093	1293
THGT/4/6-1609-3/-95/34	1600	95	34	173,0	66,3	1248	1448
THGT/4/6-1609-3/-115/40	1600	115	40	200,0	76,9	1355	1555
THGT/4/6-1609-6/-70/25	1600	70	25	128,0	58,8	1044	1244
THGT/4/6-1609-6/-80/28	1600	80	28	147,0	63,8	1107	1307
THGT/4/6-1609-6/-95/34	1600	95	34	173,0	66,3	1262	1462
THGT/4/6-1609-6/-115/40	1600	115	40	200,0	76,9	1369	1569
THGT/4/6-1609-6/-125/45	1600	125	45	217,0	92,2	1369	1569
THGT/4/6-1609-6/-145/55	1600	145	55	264,0	116,0	1369	1569

TECHNICAL CHARACTERISTICS - F400 120 - 4/6 POLES (CONTINUATION)

Model	Diameter (mm)	Motor power		Full load current 400V (A)		Weight (kg)	
		HS	LS	HS	LS	Short casing	Long casing
THGT/4/6-1609-9/-70/25	1600	70	25	128,0	58,8	1058	1258
THGT/4/6-1609-9/-80/28	1600	80	28	147,0	63,8	1121	1321
THGT/4/6-1609-9/-95/34	1600	95	34	173,0	66,3	1276	1476
THGT/4/6-1609-9/-115/40	1600	115	40	200,0	76,9	1383	1583
THGT/4/6-1609-9/-125/45	1600	125	45	217,0	92,2	1383	1583
THGT/4/6-1609-9/-145/55	1600	145	55	264,0	116,0	1383	1583

Model	Diameter (mm)	Motor power		Full load current 400V (A)		Weight (kg)	
		HS	LS	HS	LS	Short casing	Long casing
THGT/4/6-1609-12/-70/25	1600	70	25	128,0	58,8	1073	1273
THGT/4/6-1609-12/-80/28	1600	80	28	147,0	63,8	1136	1336
THGT/4/6-1609-12/-95/34	1600	95	34	173,0	66,3	1291	1491
THGT/4/6-1609-12/-115/40	1600	115	40	200,0	76,9	1398	1598
THGT/4/6-1609-12/-125/45	1600	125	45	217,0	92,2	1398	1598
THGT/4/6-1609-12/-145/55	1600	145	55	264,0	116,0	1398	1598

TECHNICAL CHARACTERISTICS - F400 120 - 6/12 POLES

Model	Diameter (mm)	Motor power		Full load current 400V (A)		Weight (kg)	
		HS	LS	HS	LS	Short casing	Long casing
THGT/6/12-560-6/-0,55/0,09	560	0,55	0,09	2,1	0,9	63	80
THGT/6/12-630-6/-0,55/0,09	630	0,55	0,09	2,1	0,9	70	85
THGT/6/12-630-6/-0,75/0,12	630	0,75	0,12	2,3	1,0	72	87
THGT/6/12-710-5/-0,55/0,09	710	0,55	0,09	2,1	0,9	67	91
THGT/6/12-710-5/-0,75/0,12	710	0,75	0,12	2,3	1,0	69	93
THGT/6/12-710-5/-1,1/0,18	710	1,1	0,18	4,5	1,7	81	105
THGT/6/12-710-7/-0,55/0,09	710	0,55	0,09	2,1	0,9	73	93
THGT/6/12-710-7/-0,75/0,12	710	0,75	0,12	2,3	1,0	75	95
THGT/6/12-710-7/-1,1/0,18	710	1,1	0,18	4,5	1,7	87	107
THGT/6/12-800-3/-0,55/0,09	800	0,55	0,09	2,1	0,9	82	99
THGT/6/12-800-3/-0,75/0,12	800	0,75	0,12	2,3	1,0	84	101
THGT/6/12-800-3/-1,1/0,18	800	1,1	0,18	4,5	1,7	96	113
THGT/6/12-800-3/-1,5/0,25	800	1,5	0,25	4,2	1,7	99	116
THGT/6/12-800-6/-0,55/0,09	800	0,55	0,09	2,1	0,9	85	102
THGT/6/12-800-6/-0,75/0,12	800	0,75	0,12	2,3	1,0	87	104
THGT/6/12-800-6/-1,1/0,18	800	1,1	0,18	4,5	1,7	99	116
THGT/6/12-800-6/-1,5/0,25	800	1,5	0,25	4,2	1,7	102	119
THGT/6/12-800-6/-2,2/0,37	800	2,2	0,37	5,7	2,2	104	121
THGT/6/12-800-9/-0,75/0,12	800	0,75	0,12	2,3	1,0	91	108
THGT/6/12-800-9/-1,1/0,18	800	1,1	0,18	4,5	1,7	103	120
THGT/6/12-800-9/-1,5/0,25	800	1,5	0,25	4,2	1,7	106	123
THGT/6/12-800-9/-2,2/0,37	800	2,2	0,37	5,7	2,2	108	125
THGT/6/12-800-9/-3/0,55	800	3	0,55	8,9	3,8	143	160
THGT/6/12-900-3/-1,1/0,18	900	1,1	0,18	4,5	1,7	109	128
THGT/6/12-900-3/-1,5/0,25	900	1,5	0,25	4,2	1,7	112	131

Model	Diameter (mm)	Motor power		Full load current 400V (A)		Weight (kg)	
		HS	LS	HS	LS	Short casing	Long casing
THGT/6/12-900-6/-1,1/0,18	900	1,1	0,18	4,5	1,7	114	133
THGT/6/12-900-6/-1,5/0,25	900	1,5	0,25	4,2	1,7	117	136
THGT/6/12-900-6/-2,2/0,37	900	2,2	0,37	5,7	2,2	119	138
THGT/6/12-900-6/-3/0,55	900	3	0,55	8,9	3,8	154	173
THGT/6/12-900-9/-1,1/0,18	900	1,1	0,18	4,5	1,7	118	137
THGT/6/12-900-9/-1,5/0,25	900	1,5	0,25	4,2	1,7	121	140
THGT/6/12-900-9/-2,2/0,37	900	2,2	0,37	5,7	2,2	123	142
THGT/6/12-900-9/-3/0,55	900	3	0,55	8,9	3,8	158	177
THGT/6/12-1000-3/-1,1/0,18	1000	1,1	0,18	4,5	1,7	117	138
THGT/6/12-1000-3/-1,5/0,25	1000	1,5	0,25	4,2	1,7	120	141
THGT/6/12-1000-3/-2,2/0,37	1000	2,2	0,37	5,7	2,2	122	143
THGT/6/12-1000-3/-3/0,55	1000	3	0,55	8,9	3,8	157	178
THGT/6/12-1000-3/-4/0,65	1000	4	0,65	9,3	2,9	157	178
THGT/6/12-1000-6/-1,1/0,18	1000	1,1	0,18	4,5	1,7	122	143
THGT/6/12-1000-6/-1,5/0,25	1000	1,5	0,25	4,2	1,7	125	146
THGT/6/12-1000-6/-2,2/0,37	1000	2,2	0,37	5,7	2,2	127	148
THGT/6/12-1000-6/-3/0,55	1000	3	0,55	8,9	3,8	162	183
THGT/6/12-1000-6/-4/0,65	1000	4	0,65	9,3	2,9	162	183
THGT/6/12-1000-6/-6/1,2	1000	6	1,2	13,4	5,6	210	231
THGT/6/12-1000-9/-1,5/0,25	1000	1,5	0,25	4,2	1,7	130	151
THGT/6/12-1000-9/-2,2/0,37	1000	2,2	0,37	5,7	2,2	132	153
THGT/6/12-1000-9/-3/0,55	1000	3	0,55	8,9	3,8	167	188
THGT/6/12-1000-9/-4/0,65	1000	4	0,65	9,3	2,9	167	188
THGT/6/12-1000-9/-6/1,2	1000	6	1,2	13,4	5,6	215	236
THGT/6/12-1000-9/-7,5/1,5	1000	7,5	1,5	16,4	6,5	222	243

TECHNICAL CHARACTERISTICS - F400 120 - 6/12 POLES (CONTINUATION)

Model	Diameter (mm)	Motor power		Full load current 400V (A)		Weight (kg)	
		HS	LS	HS	LS	Short casing	Long casing
THGT/6/12-1120-3/-1,1/0,18	1120	1,1	0,18	4,5	1,7	133	165
THGT/6/12-1120-3/-1,5/0,25	1120	1,5	0,25	4,2	1,7	136	168
THGT/6/12-1120-3/-2,2/0,37	1120	2,2	0,37	5,7	2,2	138	170
THGT/6/12-1120-3/-3/0,55	1120	3	0,55	8,9	3,8	173	205
THGT/6/12-1120-3/-4/0,65	1120	4	0,65	9,3	2,9	173	205
THGT/6/12-1120-3/-6/1,2	1120	6	1,2	13,4	5,6	221	253
THGT/6/12-1120-6/-2,2/0,37	1120	2,2	0,37	5,7	2,2	143	180
THGT/6/12-1120-6/-3/0,55	1120	3	0,55	8,9	3,8	178	215
THGT/6/12-1120-6/-4/0,65	1120	4	0,65	9,3	2,9	178	215
THGT/6/12-1120-6/-6/1,2	1120	6	1,2	13,4	5,6	226	263
THGT/6/12-1120-6/-7,5/1,5	1120	7,5	1,5	16,4	6,5	233	270
THGT/6/12-1120-6/-12/2,4	1120	12	2,4	23,4	8,1	303	340
THGT/6/12-1120-9/-3/0,55	1120	3	0,55	8,9	3,8	184	243
THGT/6/12-1120-9/-4/0,65	1120	4	0,65	9,3	2,9	184	243
THGT/6/12-1120-9/-6/1,2	1120	6	1,2	13,4	5,6	232	291
THGT/6/12-1120-9/-7,5/1,5	1120	7,5	1,5	16,4	6,5	239	298
THGT/6/12-1120-9/-12/2,4	1120	12	2,4	23,4	8,1	309	368
THGT/6/12-1250-3/-1,5/0,25	1250	1,5	0,25	4,2	1,7	152	194
THGT/6/12-1250-3/-2,2/0,37	1250	2,2	0,37	5,7	2,2	154	196
THGT/6/12-1250-3/-3/0,55	1250	3	0,55	8,9	3,8	189	231
THGT/6/12-1250-3/-4/0,65	1250	4	0,65	9,3	2,9	189	231
THGT/6/12-1250-3/-6/1,2	1250	6	1,2	13,4	5,6	237	279
THGT/6/12-1250-3/-7,5/1,5	1250	7,5	1,5	16,4	6,5	244	286
THGT/6/12-1250-3/-12/2,4	1250	12	2,4	23,4	8,1	314	356
THGT/6/12-1250-6/-3/0,55	1250	3	0,55	8,9	3,8	195	237
THGT/6/12-1250-6/-4/0,65	1250	4	0,65	9,3	2,9	195	237
THGT/6/12-1250-6/-6/1,2	1250	6	1,2	13,4	5,6	243	285
THGT/6/12-1250-6/-7,5/1,5	1250	7,5	1,5	16,4	6,5	250	292
THGT/6/12-1250-6/-12/2,4	1250	12	2,4	23,4	8,1	320	362
THGT/6/12-1250-6/-17/4,3	1250	17	4,3	31,0	10,2	400	442
THGT/6/12-1250-9/-12/2,4	1250	12	2,4	23,4	8,1	326	368
THGT/6/12-1250-9/-17/4,3	1250	17	4,3	31,0	10,2	406	448
THGT/6/12-1250-9/-20/5	1250	20	5	39,0	14,3	441	483
THGT/6/12-1250-9/-4/0,65	1250	4	0,65	9,3	2,9	201	243
THGT/6/12-1250-9/-6/1,2	1250	6	1,2	13,4	5,6	249	291
THGT/6/12-1250-9/-7,5/1,5	1250	7,5	1,5	16,4	6,5	256	298
THGT/6/12-1409-3/-12/2,4	1400	12	2,4	23,4	8,1	472	626
THGT/6/12-1409-3/-17/4,3	1400	17	4,3	31,0	10,2	552	706
THGT/6/12-1409-3/-6/1,2	1400	6	1,2	13,4	5,6	395	549
THGT/6/12-1409-3/-7,5/1,5	1400	7,5	1,5	16,4	6,5	402	556
THGT/6/12-1409-6/-12/2,4	1400	12	2,4	23,4	8,1	485	639
THGT/6/12-1409-6/-17/4,3	1400	17	4,3	31,0	10,2	565	719
THGT/6/12-1409-6/-20/5	1400	20	5	39,0	14,3	600	754
THGT/6/12-1409-6/-28/6,5	1400	28	6,5	52,6	17,9	670	824
THGT/6/12-1409-6/-35/8	1400	35	8	67,0	21,8	705	859

Model	Diameter (mm)	Motor power		Full load current 400V (A)		Weight (kg)	
		HS	LS	HS	LS	Short casing	Long casing
THGT/6/12-1409-9/-12/2,4	1400	12	2,4	23,4	8,1	498	652
THGT/6/12-1409-9/-17/4,3	1400	17	4,3	31,0	10,2	578	732
THGT/6/12-1409-9/-20/5	1400	20	5	39,0	14,3	613	767
THGT/6/12-1409-9/-28/6,5	1400	28	6,5	52,6	17,9	683	837
THGT/6/12-1409-9/-35/8	1400	35	8	67,0	21,8	718	872
THGT/6/12-1409-9/-37/9,2	1400	37	9,2	70,6	24,6	757	911
THGT/6/12-1409-9/-44/11	1400	44	11	84,7	30,3	797	951
THGT/6/12-1409-12/-17/4,3	1400	17	4,3	31,0	10,2	591	745
THGT/6/12-1409-12/-20/5	1400	20	5	39,0	14,3	626	780
THGT/6/12-1409-12/-28/6,5	1400	28	6,5	52,6	17,9	696	850
THGT/6/12-1409-12/-35/8	1400	35	8	67,0	21,8	731	885
THGT/6/12-1409-12/-37/9,2	1400	37	9,2	70,6	24,6	770	924
THGT/6/12-1409-12/-44/11	1400	44	11	84,7	30,3	810	964
THGT/6/12-1609-3/-12/2,4	1600	12	2,4	23,4	8,1	525	725
THGT/6/12-1609-3/-17/4,3	1600	17	4,3	31,0	10,2	605	805
THGT/6/12-1609-3/-20/5	1600	20	5	39,0	14,3	640	840
THGT/6/12-1609-3/-28/6,5	1600	28	6,5	52,6	17,9	710	910
THGT/6/12-1609-3/-35/8	1600	35	8	67,0	21,8	745	945
THGT/6/12-1609-6/-17/4,3	1600	17	4,3	31,0	10,2	619	819
THGT/6/12-1609-6/-20/5	1600	20	5	39,0	14,3	654	854
THGT/6/12-1609-6/-28/6,5	1600	28	6,5	52,6	17,9	724	924
THGT/6/12-1609-6/-35/8	1600	35	8	67,0	21,8	759	959
THGT/6/12-1609-6/-37/9,2	1600	37	9,2	70,6	24,6	807	1007
THGT/6/12-1609-6/-44/11	1600	44	11	84,7	30,3	847	1047
THGT/6/12-1609-6/-55/14,7	1600	55	14,7	106,0	38,8	1014	1214
THGT/6/12-1609-6/-68/17	1600	68	17	124,0	41,9	1096	1296
THGT/6/12-1609-9/-20/5	1600	20	5	39,0	14,3	668	868
THGT/6/12-1609-9/-28/6,5	1600	28	6,5	52,6	17,9	738	938
THGT/6/12-1609-9/-35/8	1600	35	8	67,0	21,8	773	973
THGT/6/12-1609-9/-37/9,2	1600	37	9,2	70,6	24,6	821	1021
THGT/6/12-1609-9/-44/11	1600	44	11	84,7	30,3	861	1061
THGT/6/12-1609-9/-55/14,7	1600	55	14,7	106,0	38,8	1028	1228
THGT/6/12-1609-9/-68/17	1600	68	17	124,0	41,9	1110	1310
THGT/6/12-1609-9/-80/20	1600	80	20	147,0	53,7	1328	1528
THGT/6/12-1609-12/-28/6,5	1600	28	6,5	52,6	17,9	753	953
THGT/6/12-1609-12/-35/8	1600	35	8	67,0	21,8	788	988
THGT/6/12-1609-12/-37/9,2	1600	37	9,2	70,6	24,6	836	1036
THGT/6/12-1609-12/-44/11	1600	44	11	84,7	30,3	876	1076
THGT/6/12-1609-12/-55/14,7	1600	55	14,7	106,0	38,8	1043	1243
THGT/6/12-1609-12/-68/17	1600	68	17	124,0	41,9	1125	1325
THGT/6/12-1609-12/-80/20	1600	80	20	147,0	53,7	1343	1543

TECHNICAL CHARACTERISTICS - F300/F200 120 - 2 POLES

Model	Diameter (mm)	Motor power	Full load current at 400V (A)	Weight (kg)	
				Short casing	Long casing
THGT/2-400-6/-1,1	400	1,1	2,33	41	47
THGT/2-400-6/-1,5	400	1,5	3,09	45	51
THGT/2-400-6/-2,2	400	2,2	4,43	50	56
THGT/2-450-6/-1,5	450	1,5	3,09	52	61
THGT/2-450-6/-2,2	450	2,2	4,43	57	66
THGT/2-450-6/-3	450	3	5,77	69	77
THGT/2-500-6/-2,2	500	2,2	4,43	58	67
THGT/2-500-6/-3	500	3	5,77	69	78
THGT/2-500-6/-4	500	4	7,59	75	84

Model	Diameter (mm)	Motor power	Full load current at 400V (A)	Weight (kg)	
				Short casing	Long casing
THGT/2-560-6/-3	560	3	5,77	77	94
THGT/2-560-6/-4	560	4	7,59	83	100
THGT/2-560-6/-5,5	560	5,5	10,6	104	121
THGT/2-560-6/-7,5	560	7,5	14,1	107	124
THGT/2-560-6/-9,2	560	9,2	16,6	120	137
THGT/2-630-6/-5,5	630	5,5	10,6	111	126
THGT/2-630-6/-7,5	630	7,5	14,1	114	129
THGT/2-630-6/-11 L	630	11	20	-	169
THGT/2-630-6/-15 L	630	15	27,7	-	176
THGT/2-630-6/-18,5 L	630	18,5	33,9	-	189

TECHNICAL CHARACTERISTICS - F300/F200 120 - 4 POLES

Model	Diameter (mm)	Motor power	Full load current at 400V (A)	Weight (kg)	
				Short casing	Long casing
THGT/4-400-6/-0,25	400	0,25	0,6	35	41
THGT/4-450-6/-0,25	450	0,25	0,6	43	51
THGT/4-450-6/-0,37	450	0,37	0,87	43	52
THGT/4-450-6/-0,55	450	0,55	1,27	44	53
THGT/4-500-6/-0,55	500	0,55	1,27	45	54
THGT/4-500-6/-0,75	500	0,75	1,62	49	58
THGT/4-500-6/-1,1	500	1,1	2,35	54	63
THGT/4-560-6/-0,55	560	0,55	1,27	53	70
THGT/4-560-6/-0,75	560	0,75	1,62	57	74
THGT/4-560-6/-1,1	560	1,1	2,35	62	79
THGT/4-560-6/-1,5	560	1,5	3,17	65	82
THGT/4-560-6/-2,2	560	2,2	4,56	74	91
THGT/4-630-6/-0,75	630	0,75	1,62	64	79
THGT/4-630-6/-1,1	630	1,1	2,35	69	84
THGT/4-630-6/-1,5	630	1,5	3,17	72	87
THGT/4-630-6/-2,2	630	2,2	4,56	81	96
THGT/4-630-6/-3	630	3	6,15	87	102
THGT/4-710-3/-0,75	710	0,75	1,62	59	83
THGT/4-710-3/-1,1	710	1,1	2,35	64	88
THGT/4-710-3/-1,5	710	1,5	3,17	67	91
THGT/4-710-3/-2,2	710	2,2	4,56	76	100
THGT/4-710-3/-3	710	3	6,15	82	106

Model	Diameter (mm)	Motor power	Full load current at 400V (A)	Weight (kg)	
				Short casing	Long casing
THGT/4-710-6/-1,1	710	1,1	2,35	68	91
THGT/4-710-6/-1,5	710	1,5	3,17	71	94
THGT/4-710-6/-2,2	710	2,2	4,56	80	103
THGT/4-710-6/-3	710	3	6,15	86	109
THGT/4-710-6/-4	710	4	8,03	92	115
THGT/4-800-3/-1,1	800	1,1	2,35	81	98
THGT/4-800-3/-1,5	800	1,5	3,17	84	101
THGT/4-800-3/-2,2	800	2,2	4,56	93	110
THGT/4-800-3/-3	800	3	6,15	99	116
THGT/4-800-3/-4	800	4	8,03	105	122
THGT/4-800-3/-5,5	800	5,5	10,4	127	144
THGT/4-800-6/-1,5	800	1,5	3,17	87	104
THGT/4-800-6/-2,2	800	2,2	4,56	96	113
THGT/4-800-6/-3	800	3	6,15	102	119
THGT/4-800-6/-4	800	4	8,03	108	125
THGT/4-800-6/-5,5	800	5,5	10,4	130	147
THGT/4-800-6/-7,5	800	7,5	13,9	138	155
THGT/4-800-9/-2,2	800	2,2	4,56	100	117
THGT/4-800-9/-3	800	3	6,15	106	123
THGT/4-800-9/-4	800	4	8,03	112	129
THGT/4-800-9/-5,5	800	5,5	10,4	134	151
THGT/4-800-9/-7,5	800	7,5	13,9	142	159

TECHNICAL CHARACTERISTICS - F300/F200 120 - 4 POLES (CONTINUATION)

Model	Diameter (mm)	Motor power	Full load current at 400V (A)	Weight (kg)		Model	Diameter (mm)	Motor power	Full load current at 400V (A)	Weight (kg)	
				Short casing	Long casing					Short casing	Long casing
THGT/4-900-3/-2,2	900	2,2	4,56	106	125	THGT/4-1120-6/-11	1120	11	20,9	216	253
THGT/4-900-3/-3	900	3	6,15	112	131	THGT/4-1120-6/-15	1120	15	27,9	238	275
THGT/4-900-3/-4	900	4	8,03	118	137	THGT/4-1120-6/-18,5	1120	18,5	35,1	271	308
THGT/4-900-3/-5,5	900	5,5	10,4	140	159	THGT/4-1120-6/-22	1120	22	41	288	325
THGT/4-900-3/-7,5	900	7,5	13,9	148	167	THGT/4-1120-6/-30	1120	30	57,1	331	368
THGT/4-900-6/-3	900	3	6,15	117	136	THGT/4-1120-9/-11	1120	11	20,9	222	281
THGT/4-900-6/-4	900	4	8,03	123	142	THGT/4-1120-9/-15	1120	15	27,9	244	303
THGT/4-900-6/-5,5	900	5,5	10,4	145	164	THGT/4-1120-9/-18,5	1120	18,5	35,1	277	336
THGT/4-900-6/-7,5	900	7,5	13,9	153	172	THGT/4-1120-9/-22	1120	22	41	294	353
THGT/4-900-6/-11	900	11	20,9	192	211	THGT/4-1120-9/-30	1120	30	57,1	337	396
THGT/4-900-9/-5,5	900	5,5	10,4	149	168	THGT/4-1120-9/-37	1120	37	66,8	474	533
THGT/4-900-9/-7,5	900	7,5	13,9	157	176	THGT/4-1120-9/-45	1120	45	80,9	509	568
THGT/4-900-9/-11	900	11	20,9	196	215	THGT/4-1250-3/-7,5	1250	7,5	13,9	188	230
THGT/4-900-9/-15	900	15	27,9	218	237	THGT/4-1250-3/-11	1250	11	20,9	227	269
THGT/4-1000-3/-3	1000	3	6,15	120	141	THGT/4-1250-3/-15	1250	15	27,9	249	291
THGT/4-1000-3/-4	1000	4	8,03	126	147	THGT/4-1250-3/-18,5	1250	18,5	35,1	282	324
THGT/4-1000-3/-5,5	1000	5,5	10,4	148	169	THGT/4-1250-3/-22	1250	22	41	299	341
THGT/4-1000-3/-7,5	1000	7,5	13,9	156	177	THGT/4-1250-3/-30	1250	30	57,1	342	384
THGT/4-1000-3/-11	1000	11	20,9	195	216	THGT/4-1250-6/-15	1250	15	27,9	255	297
THGT/4-1000-6/-4	1000	4	8,03	131	152	THGT/4-1250-6/-18,5	1250	18,5	35,1	288	330
THGT/4-1000-6/-5,5	1000	5,5	10,4	153	174	THGT/4-1250-6/-22	1250	22	41	305	347
THGT/4-1000-6/-7,5	1000	7,5	13,9	161	182	THGT/4-1250-6/-30	1250	30	57,1	348	390
THGT/4-1000-6/-11	1000	11	20,9	200	221	THGT/4-1250-6/-37	1250	37	66,8	485	527
THGT/4-1000-6/-15	1000	15	27,9	222	243	THGT/4-1250-6/-45	1250	45	80,9	520	562
THGT/4-1000-6/-18,5	1000	18,5	35,1	255	276	THGT/4-1250-9/-15	1250	15	27,9	261	303
THGT/4-1000-9/-7,5	1000	7,5	13,9	166	187	THGT/4-1250-9/-18,5	1250	18,5	35,1	294	336
THGT/4-1000-9/-11	1000	11	20,9	205	226	THGT/4-1250-9/-22	1250	22	41	311	353
THGT/4-1000-9/-15	1000	15	27,9	227	248	THGT/4-1250-9/-30	1250	30	57,1	354	396
THGT/4-1000-9/-18,5	1000	18,5	35,1	260	281	THGT/4-1250-9/-37	1250	37	66,8	491	533
THGT/4-1000-9/-22	1000	22	41	277	298	THGT/4-1250-9/-45	1250	45	80,9	526	568
THGT/4-1120-3/-4	1120	4	8,03	142	174	THGT/4-1250-12/-18,5	1250	18,5	35,1	300	342
THGT/4-1120-3/-5,5	1120	5,5	10,4	164	196	THGT/4-1250-12/-22	1250	22	41	317	359
THGT/4-1120-3/-7,5	1120	7,5	13,9	172	204	THGT/4-1250-12/-30	1250	30	57,1	360	402
THGT/4-1120-3/-11	1120	11	20,9	211	243	THGT/4-1250-12/-37	1250	37	66,8	497	539
THGT/4-1120-3/-15	1120	15	27,9	233	265	THGT/4-1250-12/-45	1250	45	80,9	532	574
THGT/4-1120-3/-18,5	1120	18,5	35,1	266	298						

TECHNICAL CHARACTERISTICS - F300/F200 120 - 4 POLES (CONTINUATION)

Model	Diameter (mm)	Motor power	Full load current at 400V (A)	Weight (kg)	
				Short casing	Long casing
THGT/4-1409-3/-18,5	1409	18,5	35,1	440	594
THGT/4-1409-3/-22	1409	22	41	457	611
THGT/4-1409-3/-30	1409	30	57,1	500	654
THGT/4-1409-3/-37	1409	37	66,8	637	791
THGT/4-1409-3/-45	1409	45	80,9	672	826
THGT/4-1409-3/-55	1409	55	98,6	721	875
THGT/4-1409-3/-75	1409	75	134	913	1067

THGT/4-1409-6/-30	1409	30	57,1	513	667
THGT/4-1409-6/-37	1409	37	66,8	650	804
THGT/4-1409-6/-45	1409	45	80,9	685	839
THGT/4-1409-6/-55	1409	55	98,6	734	888
THGT/4-1409-6/-75	1409	75	134	926	1080
THGT/4-1409-6/-90	1409	90	158	996	1150
THGT/4-1409-6/-110	1409	110	193	1251	1405
THGT/4-1409-6/-132	1409	132	231	1311	1465

THGT/4-1409-9/-45	1409	45	80,9	698	852
THGT/4-1409-9/-55	1409	55	98,6	747	901
THGT/4-1409-9/-75	1409	75	134	939	1093
THGT/4-1409-9/-90	1409	90	158	1009	1163
THGT/4-1409-9/-110	1409	110	193	1264	1418
THGT/4-1409-9/-132	1409	132	231	1324	1478
THGT/4-1409-9/-160	1409	160	280	1394	1548

THGT/4-1409-12/-55	1409	55	98,6	760	914
THGT/4-1409-12/-75	1409	75	134	952	1106
THGT/4-1409-12/-90	1409	90	158	1022	1176
THGT/4-1409-12/-110	1409	110	193	1277	1431
THGT/4-1409-12/-132	1409	132	231	1337	1491
THGT/4-1409-12/-160	1409	160	280	1407	1561

Model	Diameter (mm)	Motor power	Full load current at 400V (A)	Weight (kg)	
				Short casing	Long casing
THGT/4-1609-3/-37	1609	37	66,8	690	890
THGT/4-1609-3/-45	1609	45	80,9	725	925
THGT/4-1609-3/-55	1609	55	98,6	783	983
THGT/4-1609-3/-75	1609	75	134	975	1175
THGT/4-1609-3/-90	1609	90	158	1045	1245
THGT/4-1609-3/-110	1609	110	193	1300	1500
THGT/4-1609-3/-132	1609	132	231	1360	1560

THGT/4-1609-6/-55	1609	55	98,6	797	997
THGT/4-1609-6/-75	1609	75	134	989	1189
THGT/4-1609-6/-90	1609	90	158	1059	1259
THGT/4-1609-6/-110	1609	110	193	1314	1514
THGT/4-1609-6/-132	1609	132	231	1374	1574
THGT/4-1609-6/-160	1609	160	280	1444	1644

THGT/4-1609-9/-75	1609	75	134	1003	1203
THGT/4-1609-9/-90	1609	90	158	1073	1273
THGT/4-1609-9/-110	1609	110	193	1328	1528
THGT/4-1609-9/-132	1609	132	231	1388	1588
THGT/4-1609-9/-160	1609	160	280	1458	1658

THGT/4-1609-12/-75	1609	75	134	1018	1218
THGT/4-1609-12/-90	1609	90	158	1088	1288
THGT/4-1609-12/-110	1609	110	193	1343	1543
THGT/4-1609-12/-132	1609	132	231	1403	1603
THGT/4-1609-12/-160	1609	160	280	1473	1673

TECHNICAL CHARACTERISTICS - F300/F200 120 - 6 POLES

Model	Diameter (mm)	Motor power	Full load current at 400V (A)	Weight (kg)	
				Short casing	Long casing
THGT/6-560-6/-0,55	560	0,55	1,49	56	73
THGT/6-630-6/-0,55	630	0,55	1,49	63	78
THGT/6-630-6/-0,75	630	0,75	1,93	71	86
THGT/6-630-6/-1,1	630	1,1	2,69	78	93
THGT/6-710-3/-0,55	710	0,55	1,49	58	82
THGT/6-710-3/-0,75	710	0,75	1,93	66	90

Model	Diameter (mm)	Motor power	Full load current at 400V (A)	Weight (kg)	
				Short casing	Long casing
THGT/6-710-6/-0,55	710	0,55	1,49	62	85
THGT/6-710-6/-0,75	710	0,75	1,93	70	93
THGT/6-710-6/-1,1	710	1,1	2,69	77	100
THGT/6-800-3/-0,75	800	0,75	1,93	83	100
THGT/6-800-3/-1,1	800	1,1	2,69	90	107
THGT/6-800-3/-1,5	800	1,5	3,7	93	110

TECHNICAL CHARACTERISTICS - F300/F200 120 - 6 POLES (CONTINUATION)

Model	Diameter (mm)	Motor power	Full load current at 400V (A)	Weight (kg)	
				Short casing	Long casing
THGT/6-800-6/-0,75	800	0,75	1,93	86	103
THGT/6-800-6/-1,1	800	1,1	2,69	93	110
THGT/6-800-6/-1,5	800	1,5	3,7	96	113
THGT/6-800-6/-2,2	800	2,2	5,22	110	127
THGT/6-800-9/-0,75	800	0,75	1,93	86	103
THGT/6-800-9/-1,1	800	1,1	2,69	97	114
THGT/6-800-9/-1,5	800	1,5	3,7	100	117
THGT/6-800-9/-2,2	800	2,2	5,22	114	131
THGT/6-800-9/-3	800	3	6,91	133	150
THGT/6-900-3/-1,5	900	1,5	3,7	106	125
THGT/6-900-3/-2,2	900	2,2	5,22	120	139
THGT/6-900-6/-1,5	900	1,5	3,7	111	130
THGT/6-900-6/-2,2	900	2,2	5,22	125	144
THGT/6-900-6/-3	900	3	6,91	144	163
THGT/6-900-9/-1,5	900	1,5	3,7	115	134
THGT/6-900-9/-2,2	900	2,2	5,22	129	148
THGT/6-900-9/-3	900	3	6,91	148	167
THGT/6-900-9/-5,5	900	5,5	12,9	161	180
THGT/6-1000-3/-1,5	1000	1,5	3,7	114	135
THGT/6-1000-3/-2,2	1000	2,2	5,22	128	149
THGT/6-1000-3/-3	1000	3	6,91	147	168
THGT/6-1000-3/-4	1000	4	9,11	152	173
THGT/6-1000-6/-1,5	1000	1,5	3,7	119	140
THGT/6-1000-6/-2,2	1000	2,2	5,22	133	154
THGT/6-1000-6/-3	1000	3	6,91	152	173
THGT/6-1000-6/-4	1000	4	9,11	157	178
THGT/6-1000-6/-5,5	1000	5,5	12,9	165	186
THGT/6-1000-9/-2,2	1000	2,2	5,22	138	159
THGT/6-1000-9/-3	1000	3	6,91	157	178
THGT/6-1000-9/-4	1000	4	9,11	162	183
THGT/6-1000-9/-5,5	1000	5,5	12,9	170	191
THGT/6-1000-9/-7,5	1000	7,5	14,8	210	231

Model	Diameter (mm)	Motor power	Full load current at 400V (A)	Weight (kg)	
				Short casing	Long casing
THGT/6-1120-3/-1,5	1120	1,5	3,7	130	162
THGT/6-1120-3/-2,2	1120	2,2	5,22	144	176
THGT/6-1120-3/-3	1120	3	6,91	163	195
THGT/6-1120-3/-4	1120	4	9,11	168	200
THGT/6-1120-3/-5,5	1120	5,5	12,9	176	208
THGT/6-1120-6/-2,2	1120	2,2	5,22	149	186
THGT/6-1120-6/-3	1120	3	6,91	168	205
THGT/6-1120-6/-4	1120	4	9,11	173	210
THGT/6-1120-6/-5,5	1120	5,5	12,9	181	218
THGT/6-1120-6/-7,5	1120	7,5	14,8	221	258
THGT/6-1120-6/-11	1120	11	21,9	243	280
THGT/6-1120-9/-4	1120	4	9,11	179	238
THGT/6-1120-9/-5,5	1120	5,5	12,9	187	246
THGT/6-1120-9/-7,5	1120	7,5	14,8	227	286
THGT/6-1120-9/-11	1120	11	21,9	249	308
THGT/6-1120-9/-15	1120	15	28,2	294	353
THGT/6-1250-3/-2,2	1250	2,2	5,22	160	202
THGT/6-1250-3/-3	1250	3	6,91	179	221
THGT/6-1250-3/-4	1250	4	9,11	184	226
THGT/6-1250-3/-5,5	1250	5,5	12,9	192	234
THGT/6-1250-3/-7,5	1250	7,5	14,8	232	274
THGT/6-1250-3/-11	1250	11	21,9	254	296
THGT/6-1250-6/-4	1250	4	9,11	190	232
THGT/6-1250-6/-5,5	1250	5,5	12,9	198	240
THGT/6-1250-6/-7,5	1250	7,5	14,8	238	280
THGT/6-1250-6/-11	1250	11	21,9	260	302
THGT/6-1250-6/-15	1250	15	28,2	305	347
THGT/6-1250-9/-5,5	1250	5,5	12,9	204	246
THGT/6-1250-9/-7,5	1250	7,5	14,8	244	286
THGT/6-1250-9/-11	1250	11	21,9	266	308
THGT/6-1250-9/-15	1250	15	28,2	311	353
THGT/6-1250-9/-18,5	1250	18,5	35,9	341	383
THGT/6-1250-9/-22	1250	22	42,4	351	393
THGT/6-1409-3/-7,5	1409	7,5	14,8	390	544
THGT/6-1409-3/-11	1409	11	21,9	412	566
THGT/6-1409-3/-15	1409	15	28,2	457	611
THGT/6-1409-3/-18,5	1409	18,5	35,9	487	641

TECHNICAL CHARACTERISTICS - F300/F200 120 - 6 POLES (CONTINUATION)

Model	Diameter (mm)	Motor power	Full load current at 400V (A)	Weight (kg)		Model	Diameter (mm)	Motor power	Full load current at 400V (A)	Weight (kg)	
				Short casing	Long casing					Short casing	Long casing
THGT/6-1409-6/-11	1409	11	21,9	425	579	THGT/6-1609-6/-18,5	1609	18,5	35,9	554	754
THGT/6-1409-6/-15	1409	15	28,2	470	624	THGT/6-1609-6/-22	1609	22	42,4	564	764
THGT/6-1409-6/-18,5	1409	18,5	35,9	500	654	THGT/6-1609-6/-30	1609	30	55,4	719	919
THGT/6-1409-6/-22	1409	22	42,4	510	664	THGT/6-1609-6/-37	1609	37	67,2	787	987
THGT/6-1409-6/-30	1409	30	55,4	665	819	THGT/6-1609-6/-45	1609	45	84,4	999	1199
THGT/6-1409-6/-37	1409	37	67,2	724	878	THGT/6-1609-6/-55	1609	55	103	1024	1224
						THGT/6-1609-6/-75	1609	75	139	1284	1484
THGT/6-1409-9/-15	1409	15	28,2	483	637	THGT/6-1609-9/-22	1609	22	42,4	578	778
THGT/6-1409-9/-18,5	1409	18,5	35,9	513	667	THGT/6-1609-9/-30	1609	30	55,4	733	933
THGT/6-1409-9/-22	1409	22	42,4	523	677	THGT/6-1609-9/-37	1609	37	67,2	801	1001
THGT/6-1409-9/-30	1409	30	55,4	678	832	THGT/6-1609-9/-45	1609	45	84,4	1013	1213
THGT/6-1409-9/-37	1409	37	67,2	737	891	THGT/6-1609-9/-55	1609	55	103	1038	1238
THGT/6-1409-9/-45	1409	45	84,4	949	1103	THGT/6-1609-9/-75	1609	75	139	1298	1498
THGT/6-1409-12/-18,5	1409	18,5	35,9	526	680	THGT/6-1609-12/-22	1609	22	42,4	593	793
THGT/6-1409-12/-22	1409	22	42,4	536	690	THGT/6-1609-12/-30	1609	30	55,4	748	948
THGT/6-1409-12/-30	1409	30	55,4	691	845	THGT/6-1609-12/-37	1609	37	67,2	816	1016
THGT/6-1409-12/-37	1409	37	67,2	750	904	THGT/6-1609-12/-45	1609	45	84,4	1028	1228
THGT/6-1409-12/-45	1409	45	84,4	962	1116	THGT/6-1609-12/-55	1609	55	103	1053	1253
THGT/6-1409-12/-55	1409	55	103	987	1141	THGT/6-1609-12/-75	1609	75	139	1313	1513
						THGT/6-1609-12/-90	1609	90	165	1383	1583
THGT/6-1609-3/-11	1609	11	21,9	465	665						
THGT/6-1609-3/-15	1609	15	28,2	510	710						
THGT/6-1609-3/-18,5	1609	18,5	35,9	540	740						
THGT/6-1609-3/-22	1609	22	42,4	550	750						
THGT/6-1609-3/-30	1609	30	55,4	705	905						
THGT/6-1609-3/-37	1609	37	67,2	773	973						

TECHNICAL CHARACTERISTICS - F300/F200 120 - 2/4 POLES

Model	Diameter (mm)	Motor power		Full load current 400V (A)		Weight (kg)		Model	Diameter (mm)	Motor power		Full load current 400V (A)		Weight (kg)	
		HS	LS	HS	LS	Short casing	Long casing			HS	LS	HS	LS	Short casing	Long casing
THGT/2/4-400-6/-1,1/0,25	400	1,1	0,25	2,4	0,8	41,1	47	THGT/2/4-560-6/-3,1/0,8	560	3,1	0,8	6,2	2,0	75	92
THGT/2/4-400-6/-1,5/0,37	400	1,5	0,37	3,5	1,3	46,1	52	THGT/2/4-560-6/-4,4/1,1	560	4,4	1,1	8,6	2,8	85	102
THGT/2/4-400-6/-2,2/0,5	400	2,2	0,5	4,6	1,5	48,1	54	THGT/2/4-560-6/-6/1,5	560	6	1,5	11,4	3,7	100	117
								THGT/2/4-560-6/-8/2	560	8	2	15,3	4,8	109	126
THGT/2/4-450-6/-2,2/0,5	450	2,2	0,5	4,6	1,5	55,5	64								
THGT/2/4-450-6/-3,1/0,8	450	3,1	0,8	6,2	2,0	66,5	75	THGT/2/4-630-6/-4,4/1,1	630	4,4	1,1	8,6	2,8	92	107
								THGT/2/4-630-6/-6/1,5	630	6	1,5	11,4	3,7	107	122
THGT/2/4-500-6/-1,5/0,37	500	1,5	0,37	3,5	1,3	54	63	THGT/2/4-630-6/-8/2	630	8	2	15,3	4,8	116	131
THGT/2/4-500-6/-2,2/0,5	500	2,2	0,5	4,6	1,5	56	65	THGT/2/4-630-6/-12/3 L	630	12	3	23,1	7,3	-	164
THGT/2/4-500-6/-3,1/0,8	500	3,1	0,8	6,2	2,0	67	76	THGT/2/4-630-6/-16/4 L	630	16	4	30,5	9,6	-	174
THGT/2/4-500-6/-4,4/1,1	500	4,4	1,1	8,6	2,8	77	86								

TECHNICAL CHARACTERISTICS - F300/F200 120 - 4/8 POLES

Model	Dia- meter (mm)	Motor power		Full load current 400V (A)		Weight (kg)	
		HS	LS	HS	LS	Short casing	Long casing
THGT/4/8-400-6/-0,55/0,09	400	0,55	0,09	1,7	0,8	41	47
THGT/4/8-450-6/-0,55/0,09	450	0,55	0,09	1,7	0,8	49	57
THGT/4/8-500-6/-0,55/0,09	500	0,55	0,09	1,7	0,8	49	58
THGT/4/8-500-6/-0,75/0,12	500	0,75	0,12	1,9	0,8	49	58
THGT/4/8-500-6/-1,1/0,18	500	1,1	0,18	2,7	1,2	61	70
THGT/4/8-560-6/-0,55/0,09	560	0,55	0,09	1,7	0,8	57	74
THGT/4/8-560-6/-0,75/0,12	560	0,75	0,12	1,9	0,8	57	74
THGT/4/8-560-6/-1,1/0,18	560	1,1	0,18	2,7	1,2	69	86
THGT/4/8-560-6/-1,5/0,25	560	1,5	0,25	3,7	1,6	72	89
THGT/4/8-560-6/-2,2/0,37	560	2,2	0,37	4,7	1,7	80	97
THGT/4/8-630-6/-0,55/0,09	630	0,55	0,09	1,7	0,8	64	79
THGT/4/8-630-6/-0,75/0,12	630	0,75	0,12	1,9	0,8	64	79
THGT/4/8-630-6/-1,1/0,18	630	1,1	0,18	2,7	1,2	76	91
THGT/4/8-630-6/-1,5/0,25	630	1,5	0,25	3,7	1,6	79	94
THGT/4/8-630-6/-2,2/0,37	630	2,2	0,37	4,7	1,7	87	102
THGT/4/8-630-6/-3/0,55	630	3	0,55	6,3	2,4	88	103
THGT/4/8-630-6/-4/0,75	630	4	0,75	8,4	2,3	95	110
THGT/4/8-710-3/-0,55/0,09	710	0,55	0,09	1,7	0,8	59	83
THGT/4/8-710-3/-0,75/0,12	710	0,75	0,12	1,9	0,8	59	83
THGT/4/8-710-3/-1,1/0,18	710	1,1	0,18	2,7	1,2	71	95
THGT/4/8-710-3/-1,5/0,25	710	1,5	0,25	3,7	1,6	74	98
THGT/4/8-710-3/-2,2/0,37	710	2,2	0,37	4,7	1,7	82	106
THGT/4/8-710-3/-3/0,55	710	3	0,55	6,3	2,4	83	107
THGT/4/8-710-6/-0,75/0,12	710	0,75	0,12	1,9	0,8	63	86
THGT/4/8-710-6/-1,1/0,18	710	1,1	0,18	2,7	1,2	75	98
THGT/4/8-710-6/-1,5/0,25	710	1,5	0,25	3,7	1,6	78	101
THGT/4/8-710-6/-2,2/0,37	710	2,2	0,37	4,7	1,7	86	109
THGT/4/8-710-6/-3/0,55	710	3	0,55	6,3	2,4	87	110
THGT/4/8-710-6/-4/0,75	710	4	0,75	8,4	2,3	94	117
THGT/4/8-800-3/-1,1/0,18	800	1,1	0,18	2,7	1,2	88	105
THGT/4/8-800-3/-1,5/0,25	800	1,5	0,25	3,7	1,6	91	108
THGT/4/8-800-3/-2,2/0,37	800	2,2	0,37	4,7	1,7	99	116
THGT/4/8-800-3/-3/0,55	800	3	0,55	6,3	2,4	100	117
THGT/4/8-800-3/-4/0,75	800	4	0,75	8,4	2,3	107	124

Model	Dia- meter (mm)	Motor power		Full load current 400V (A)		Weight (kg)	
		HS	LS	HS	LS	Short casing	Long casing
THGT/4/8-800-6/-1,5/0,25	800	1,5	0,25	3,7	1,6	94	111
THGT/4/8-800-6/-2,2/0,37	800	2,2	0,37	4,7	1,7	102	119
THGT/4/8-800-6/-3/0,55	800	3	0,55	6,3	2,4	103	120
THGT/4/8-800-6/-4/0,75	800	4	0,75	8,4	2,3	110	127
THGT/4/8-800-6/-5,5/1,1	800	5,5	1,1	11,7	3,7	132	149
THGT/4/8-800-6/-7,5/1,5	800	7,5	1,5	15,9	4,7	145	162
THGT/4/8-800-9/-2,2/0,37	800	2,2	0,37	4,7	1,7	106	123
THGT/4/8-800-9/-3/0,55	800	3	0,55	6,3	2,4	107	124
THGT/4/8-800-9/-4/0,75	800	4	0,75	8,4	2,3	114	131
THGT/4/8-800-9/-5,5/1,1	800	5,5	1,1	11,7	3,7	136	153
THGT/4/8-800-9/-7,5/1,5	800	7,5	1,5	15,9	4,7	149	166
THGT/4/8-900-3/-2,2/0,37	900	2,2	0,37	4,7	1,7	112	131
THGT/4/8-900-3/-3/0,55	900	3	0,55	6,3	2,4	113	132
THGT/4/8-900-3/-4/0,75	900	4	0,75	8,4	2,3	120	139
THGT/4/8-900-3/-5,5/1,1	900	5,5	1,1	11,7	3,7	142	161
THGT/4/8-900-3/-7,5/1,5	900	7,5	1,5	15,9	4,7	155	174
THGT/4/8-900-6/-2,2/0,37	900	2,2	0,37	4,7	1,7	117	136
THGT/4/8-900-6/-3/0,55	900	3	0,55	6,3	2,4	118	137
THGT/4/8-900-6/-4/0,75	900	4	0,75	8,4	2,3	125	144
THGT/4/8-900-6/-5,5/1,1	900	5,5	1,1	11,7	3,7	147	166
THGT/4/8-900-6/-7,5/1,5	900	7,5	1,5	15,9	4,7	160	179
THGT/4/8-900-6/-11/3	900	11	3	21,0	7,0	191	210
THGT/4/8-900-9/-4/0,75	900	4	0,75	8,4	2,3	129	148
THGT/4/8-900-9/-5,5/1,1	900	5,5	1,1	11,7	3,7	151	170
THGT/4/8-900-9/-7,5/1,5	900	7,5	1,5	15,9	4,7	164	183
THGT/4/8-900-9/-11/3	900	11	3	21,0	7,0	195	214
THGT/4/8-900-9/-14/3,5	900	14	3,5	26,5	8,5	214	233
THGT/4/8-1000-3/-2,2/0,37	1000	2,2	0,37	4,7	1,7	120	141
THGT/4/8-1000-3/-3/0,55	1000	3	0,55	6,3	2,4	121	142
THGT/4/8-1000-3/-4/0,75	1000	4	0,75	8,4	2,3	128	149
THGT/4/8-1000-3/-5,5/1,1	1000	5,5	1,1	11,7	3,7	150	171
THGT/4/8-1000-3/-7,5/1,5	1000	7,5	1,5	15,9	4,7	163	184
THGT/4/8-1000-3/-11/3	1000	11	3	21,0	7,0	194	215
THGT/4/8-1000-6/-4/0,75	1000	4	0,75	8,4	2,3	133	154
THGT/4/8-1000-6/-5,5/1,1	1000	5,5	1,1	11,7	3,7	155	176
THGT/4/8-1000-6/-7,5/1,5	1000	7,5	1,5	15,9	4,7	168	189
THGT/4/8-1000-6/-11/3	1000	11	3	21,0	7,0	199	220
THGT/4/8-1000-6/-14/3,5	1000	14	3,5	26,5	8,5	218	239
THGT/4/8-1000-6/-17/4,3	1000	17	4,3	33,4	12,7	249	270
THGT/4/8-1000-6/-20/5	1000	20	5	38,6	14,1	264	285

TECHNICAL CHARACTERISTICS - F300/F200 120 - 4/8 POLES (CONTINUATION)

Model	Dia- meter (mm)	Motor power		Full load current 400V (A)		Weight (kg)	
		HS	LS	HS	LS	Short casing	Long casing

THGT/4/8-1000-9/-5,5/1,1	1000	5,5	1,1	11,7	3,7	160	181
THGT/4/8-1000-9/-7,5/1,5	1000	7,5	1,5	15,9	4,7	173	194
THGT/4/8-1000-9/-11/3	1000	11	3	21,0	7,0	204	225
THGT/4/8-1000-9/-14/3,5	1000	14	3,5	26,5	8,5	223	244
THGT/4/8-1000-9/-17/4,3	1000	17	4,3	33,4	12,7	254	275
THGT/4/8-1000-9/-20/5	1000	20	5	38,6	14,1	269	290

THGT/4/8-1120-3/-4/0,75	1120	4	0,75	8,4	2,3	144	176
THGT/4/8-1120-3/-5,5/1,1	1120	5,5	1,1	11,7	3,7	166	198
THGT/4/8-1120-3/-7,5/1,5	1120	7,5	1,5	15,9	4,7	179	211
THGT/4/8-1120-3/-11/3	1120	11	3	21,0	7,0	210	242
THGT/4/8-1120-3/-14/3,5	1120	14	3,5	26,5	8,5	229	261
THGT/4/8-1120-3/-17/4,3	1120	17	4,3	33,4	12,7	260	292
THGT/4/8-1120-3/-20/5	1120	20	5	38,6	14,1	275	307

THGT/4/8-1120-6/-7,5/1,5	1120	7,5	1,5	15,9	4,7	184	221
THGT/4/8-1120-6/-11/3	1120	11	3	21,0	7,0	215	252
THGT/4/8-1120-6/-14/3,5	1120	14	3,5	26,5	8,5	234	271
THGT/4/8-1120-6/-17/4,3	1120	17	4,3	33,4	12,7	265	302
THGT/4/8-1120-6/-20/5	1120	20	5	38,6	14,1	280	317
THGT/4/8-1120-6/-28/6,5	1120	28	6,5	52,0	18,0	338	375
THGT/4/8-1120-6/-30/8	1120	30	8	56,5	21,8	368	405

THGT/4/8-1120-9/-11/3	1120	11	3	21,0	7,0	221	280
THGT/4/8-1120-9/-14/3,5	1120	14	3,5	26,5	8,5	240	299
THGT/4/8-1120-9/-17/4,3	1120	17	4,3	33,4	12,7	271	330
THGT/4/8-1120-9/-20/5	1120	20	5	38,6	14,1	286	345
THGT/4/8-1120-9/-28/6,5	1120	28	6,5	52,0	18,0	344	403
THGT/4/8-1120-9/-30/8	1120	30	8	56,5	21,8	374	433
THGT/4/8-1120-9/-37/9,2	1120	37	9,2	74,2	25,4	477	536
THGT/4/8-1120-9/-44/11	1120	44	11	80,2	27,2	534	593

THGT/4/8-1250-3/-5,5/1,1	1250	5,5	1,1	11,7	3,7	182	224
THGT/4/8-1250-3/-7,5/1,5	1250	7,5	1,5	15,9	4,7	195	237
THGT/4/8-1250-3/-11/3	1250	11	3	21,0	7,0	226	268
THGT/4/8-1250-3/-14/3,5	1250	14	3,5	26,5	8,5	245	287
THGT/4/8-1250-3/-17/4,3	1250	17	4,3	33,4	12,7	276	318
THGT/4/8-1250-3/-20/5	1250	20	5	38,6	14,1	291	333
THGT/4/8-1250-3/-28/6,5	1250	28	6,5	52,0	18,0	349	391

Model	Dia- meter (mm)	Motor power		Full load current 400V (A)		Weight (kg)	
		HS	LS	HS	LS	Short casing	Long casing

THGT/4/8-1250-6/-11/3	1250	11	3	21,0	7,0	232	274
THGT/4/8-1250-6/-14/3,5	1250	14	3,5	26,5	8,5	251	293
THGT/4/8-1250-6/-17/4,3	1250	17	4,3	33,4	12,7	282	324
THGT/4/8-1250-6/-20/5	1250	20	5	38,6	14,1	297	339
THGT/4/8-1250-6/-28/6,5	1250	28	6,5	52,0	18,0	355	397
THGT/4/8-1250-6/-30/8	1250	30	8	56,5	21,8	385	427
THGT/4/8-1250-6/-37/9,2	1250	37	9,2	74,2	25,4	488	530
THGT/4/8-1250-6/-44/11	1250	44	11	80,2	27,2	545	587

THGT/4/8-1250-9/-14/3,5	1250	14	3,5	26,5	8,5	257	299
THGT/4/8-1250-9/-17/4,3	1250	17	4,3	33,4	12,7	288	330
THGT/4/8-1250-9/-20/5	1250	20	5	38,6	14,1	303	345
THGT/4/8-1250-9/-28/6,5	1250	28	6,5	52,0	18,0	361	403
THGT/4/8-1250-9/-30/8	1250	30	8	56,5	21,8	391	433
THGT/4/8-1250-9/-37/9,2	1250	37	9,2	74,2	25,4	494	536
THGT/4/8-1250-9/-44/11	1250	44	11	80,2	27,2	551	593

THGT/4/8-1250-12/-17/4,3	1250	17	4,3	33,4	12,7	294	336
THGT/4/8-1250-12/-20/5	1250	20	5	38,6	14,1	309	351
THGT/4/8-1250-12/-28/6,5	1250	28	6,5	52,0	18,0	367	409
THGT/4/8-1250-12/-30/8	1250	30	8	56,5	21,8	397	439
THGT/4/8-1250-12/-37/9,2	1250	37	9,2	74,2	25,4	500	542
THGT/4/8-1250-12/-44/11	1250	44	11	80,2	27,2	557	599

THGT/4/8-1409-3/-14/3,5	1400	14	3,5	26,5	8,5	403	557
THGT/4/8-1409-3/-17/4,3	1400	17	4,3	33,4	12,7	434	588
THGT/4/8-1409-3/-20/5	1400	20	5	38,6	14,1	449	603
THGT/4/8-1409-3/-28/6,5	1400	28	6,5	52,0	18,0	507	661
THGT/4/8-1409-3/-30/8	1400	30	8	56,5	21,8	537	691
THGT/4/8-1409-3/-37/9,2	1400	37	9,2	74,2	25,4	640	794
THGT/4/8-1409-3/-44/11	1400	44	11	80,2	27,2	697	851
THGT/4/8-1409-3/-55/14,7	1400	55	14,7	100,0	36,5	731	885

THGT/4/8-1409-6/-28/6,5	1400	28	6,5	52,0	18,0	520	674
THGT/4/8-1409-6/-30/8	1400	30	8	56,5	21,8	550	704
THGT/4/8-1409-6/-37/9,2	1400	37	9,2	74,2	25,4	653	807
THGT/4/8-1409-6/-44/11	1400	44	11	80,2	27,2	710	864
THGT/4/8-1409-6/-55/14,7	1400	55	14,7	100,0	36,5	744	898
THGT/4/8-1409-6/-68/17	1400	68	17	127,0	44,0	946	1100
THGT/4/8-1409-6/-80/20	1400	80	20	149,0	51,5	986	1140
THGT/4/8-1409-6/-110/27	1400	110	27	196,0	65,3	1051	1205
THGT/4/8-1409-6/-130/33	1400	130	33	225,0	76,1	1081	1235

TECHNICAL CHARACTERISTICS - F300/F200 120 - 4/8 POLES (CONTINUATION)

Model	Dia-meter (mm)	Motor power		Full load current 400V (A)		Weight (kg)	
		HS	LS	HS	LS	Short casing	Long casing
THGT/4/8-1409-9/-37/9,2	1400	37	9,2	74,2	25,4	666	820
THGT/4/8-1409-9/-44/11	1400	44	11	80,2	27,2	723	877
THGT/4/8-1409-9/-55/14,7	1400	55	14,7	100,0	36,5	757	911
THGT/4/8-1409-9/-68/17	1400	68	17	127,0	44,0	959	1113
THGT/4/8-1409-9/-80/20	1400	80	20	149,0	51,5	999	1153
THGT/4/8-1409-9/-110/27	1400	110	27	196,0	65,3	1064	1218
THGT/4/8-1409-9/-130/33	1400	130	33	225,0	76,1	1094	1248
THGT/4/8-1409-9/-160/40	1400	160	40	292,0	107,0	1214	1368
THGT/4/8-1409-12/-55/14,7	1400	55	14,7	100,0	36,5	770	924
THGT/4/8-1409-12/-68/17	1400	68	17	127,0	44,0	972	1126
THGT/4/8-1409-12/-80/20	1400	80	20	149,0	51,5	1012	1166
THGT/4/8-1409-12/-110/27	1400	110	27	196,0	65,3	1077	1231
THGT/4/8-1409-12/-130/33	1400	130	33	225,0	76,1	1107	1261
THGT/4/8-1409-12/-160/40	1400	160	40	292,0	107,0	1227	1381
THGT/4/8-1609-3/-30/8	1600	30	8	56,5	21,8	590	790
THGT/4/8-1609-3/-37/9,2	1600	37	9,2	74,2	25,4	693	893
THGT/4/8-1609-3/-44/11	1600	44	11	80,2	27,2	750	950
THGT/4/8-1609-3/-55/14,7	1600	55	14,7	100,0	36,5	793	993
THGT/4/8-1609-3/-68/17	1600	68	17	127,0	44,0	995	1195
THGT/4/8-1609-3/-80/20	1600	80	20	149,0	51,5	1035	1235
THGT/4/8-1609-3/-110/27	1600	110	27	196,0	65,3	1100	1300
THGT/4/8-1609-3/-130/33	1600	130	33	225,0	76,1	1130	1330

Model	Dia-meter (mm)	Motor power		Full load current 400V (A)		Weight (kg)	
		HS	LS	HS	LS	Short casing	Long casing
THGT/4/8-1609-6/-55/14,7	1600	55	14,7	100,0	36,5	807	1007
THGT/4/8-1609-6/-68/17	1600	68	17	127,0	44,0	1009	1209
THGT/4/8-1609-6/-80/20	1600	80	20	149,0	51,5	1049	1249
THGT/4/8-1609-6/-110/27	1600	110	27	196,0	65,3	1114	1314
THGT/4/8-1609-6/-130/33	1600	130	33	225,0	76,1	1144	1344
THGT/4/8-1609-6/-160/40	1600	160	40	292,0	107,0	1264	1464
THGT/4/8-1609-9/-68/17	1600	68	17	127,0	44,0	1023	1223
THGT/4/8-1609-9/-80/20	1600	80	20	149,0	51,5	1063	1263
THGT/4/8-1609-9/-110/27	1600	110	27	196,0	65,3	1128	1328
THGT/4/8-1609-9/-130/33	1600	130	33	225,0	76,1	1158	1358
THGT/4/8-1609-9/-160/40	1600	160	40	292,0	107,0	1278	1478
THGT/4/8-1609-12/-80/20	1600	80	20	149,0	51,5	1078	1278
THGT/4/8-1609-12/-110/27	1600	110	27	196,0	65,3	1143	1343
THGT/4/8-1609-12/-130/33	1600	130	33	225,0	76,1	1173	1373
THGT/4/8-1609-12/-160/40	1600	160	40	292,0	107,0	1293	1493

TECHNICAL CHARACTERISTICS - F300/F200 120 - 4/6 POLES

Model	Dia-meter (mm)	Motor power		Full load current 400V (A)		Weight (kg)	
		HS	LS	HS	LS	Short casing	Long casing
THGT/4/6-400-6/-0,55/0,2	400	0,55	0,2	1,8	1,1	37,1	43
THGT/4/6-450-6/-0,55/0,2	450	0,55	0,2	1,8	1,1	44,5	53
THGT/4/6-500-6/-0,55/0,2	500	0,55	0,2	1,8	1,1	45	54
THGT/4/6-500-6/-0,75/0,25	500	0,75	0,25	1,9	1,3	46	55
THGT/4/6-500-6/-1,1/0,3	500	1,1	0,3	2,8	1,5	50	59
THGT/4/6-560-6/-0,55/0,2	560	0,55	0,2	1,8	1,1	53	70
THGT/4/6-560-6/-0,75/0,25	560	0,75	0,25	1,9	1,3	54	71
THGT/4/6-560-6/-1,1/0,3	560	1,1	0,3	2,8	1,5	58	75
THGT/4/6-560-6/-1,5/0,37	560	1,5	0,37	3,7	1,6	62	79

Model	Dia-meter (mm)	Motor power		Full load current 400V (A)		Weight (kg)	
		HS	LS	HS	LS	Short casing	Long casing
THGT/4/6-630-6/-0,55/0,2	630	0,55	0,2	1,8	1,1	60	75
THGT/4/6-630-6/-0,75/0,25	630	0,75	0,25	1,9	1,3	61	76
THGT/4/6-630-6/-1,1/0,3	630	1,1	0,3	2,8	1,5	65	80
THGT/4/6-630-6/-1,5/0,37	630	1,5	0,37	3,7	1,6	69	84
THGT/4/6-630-6/-2,2/0,7	630	2,2	0,7	4,9	2,5	76	91
THGT/4/6-630-6/-3/1	630	3	1	6,9	3,9	85	100
THGT/4/6-630-6/-4,5/1,5	630	4,5	1,5	10,2	5,4	117	132
THGT/4/6-710-3/-0,55/0,2	710	0,55	0,2	1,8	1,1	55	79
THGT/4/6-710-3/-0,75/0,25	710	0,75	0,25	1,9	1,3	56	80
THGT/4/6-710-3/-1,1/0,3	710	1,1	0,3	2,8	1,5	60	84
THGT/4/6-710-3/-1,5/0,37	710	1,5	0,37	3,7	1,6	64	88
THGT/4/6-710-3/-2,2/0,7	710	2,2	0,7	4,9	2,5	71	95
THGT/4/6-710-3/-3/1	710	3	1	6,9	3,9	80	104

TECHNICAL CHARACTERISTICS - F300/F200 120 - 4/6 POLES (CONTINUATION)

Model	Dia- meter (mm)	Motor power		Full load current 400V (A)		Weight (kg)	
		HS	LS	HS	LS	Short casing	Long casing

THGT/4/6-710-6/-0,75/0,25	710	0,75	0,25	1,9	1,3	60	83
THGT/4/6-710-6/-1,1/0,3	710	1,1	0,3	2,8	1,5	64	87
THGT/4/6-710-6/-1,5/0,37	710	1,5	0,37	3,7	1,6	68	91
THGT/4/6-710-6/-2,2/0,7	710	2,2	0,7	4,9	2,5	75	98
THGT/4/6-710-6/-3/1	710	3	1	6,9	3,9	84	107
THGT/4/6-710-6/-4,5/1,5	710	4,5	1,5	10,2	5,4	116	139

THGT/4/6-800-3/-1,1/0,3	800	1,1	0,3	2,8	1,5	77	94
THGT/4/6-800-3/-1,5/0,37	800	1,5	0,37	3,7	1,6	81	98
THGT/4/6-800-3/-2,2/0,7	800	2,2	0,7	4,9	2,5	88	105
THGT/4/6-800-3/-3/1	800	3	1	6,9	3,9	97	114
THGT/4/6-800-3/-4,5/1,5	800	4,5	1,5	10,2	5,4	129	146

THGT/4/6-800-6/-1,5/0,37	800	1,5	0,37	3,7	1,6	84	101
THGT/4/6-800-6/-2,2/0,7	800	2,2	0,7	4,9	2,5	91	108
THGT/4/6-800-6/-3/1	800	3	1	6,9	3,9	100	117
THGT/4/6-800-6/-4,5/1,5	800	4,5	1,5	10,2	5,4	132	149
THGT/4/6-800-6/-6/2,2	800	6	2,2	13,7	7,0	143	160

THGT/4/6-800-9/-2,2/0,7	800	2,2	0,7	4,9	2,5	95	112
THGT/4/6-800-9/-3/1	800	3	1	6,9	3,9	104	121
THGT/4/6-800-9/-4,5/1,5	800	4,5	1,5	10,2	5,4	136	153
THGT/4/6-800-9/-6/2,2	800	6	2,2	13,7	7,0	147	164

THGT/4/6-900-3/-2,2/0,7	900	2,2	0,7	4,9	2,5	101	120
THGT/4/6-900-3/-3/1	900	3	1	6,9	3,9	110	129
THGT/4/6-900-3/-4,5/1,5	900	4,5	1,5	10,2	5,4	142	161
THGT/4/6-900-3/-6/2,2	900	6	2,2	13,7	7,0	153	172
THGT/4/6-900-3/-10/3,3	900	10	3,3	22,0	8,7	194	213

THGT/4/6-900-6/-2,2/0,7	900	2,2	0,7	4,9	2,5	106	125
THGT/4/6-900-6/-3/1	900	3	1	6,9	3,9	115	134
THGT/4/6-900-6/-4,5/1,5	900	4,5	1,5	10,2	5,4	147	166
THGT/4/6-900-6/-6/2,2	900	6	2,2	13,7	7,0	158	177
THGT/4/6-900-6/-10/3,3	900	10	3,3	22,0	8,7	199	218
THGT/4/6-900-6/-14/4,5	900	14	4,5	29,5	11,2	214	233

THGT/4/6-900-9/-4,5/1,5	900	4,5	1,5	10,2	5,4	151	170
THGT/4/6-900-9/-6/2,2	900	6	2,2	13,7	7,0	162	181
THGT/4/6-900-9/-10/3,3	900	10	3,3	22,0	8,7	203	222
THGT/4/6-900-9/-14/4,5	900	14	4,5	29,5	11,2	218	237

Model	Dia- meter (mm)	Motor power		Full load current 400V (A)		Weight (kg)	
		HS	LS	HS	LS	Short casing	Long casing

THGT/4/6-1000-3/-2,2/0,7	1000	2,2	0,7	4,9	2,5	109	130
THGT/4/6-1000-3/-3/1	1000	3	1	6,9	3,9	118	139
THGT/4/6-1000-3/-4,5/1,5	1000	4,5	1,5	10,2	5,4	150	171
THGT/4/6-1000-3/-6/2,2	1000	6	2,2	13,7	7,0	161	182
THGT/4/6-1000-3/-10/3,3	1000	10	3,3	22,0	8,7	202	223
THGT/4/6-1000-3/-14/4,5	1000	14	4,5	29,5	11,2	217	238

THGT/4/6-1000-6/-4,5/1,5	1000	4,5	1,5	10,2	5,4	155	176
THGT/4/6-1000-6/-6/2,2	1000	6	2,2	13,7	7,0	166	187
THGT/4/6-1000-6/-10/3,3	1000	10	3,3	22,0	8,7	207	228
THGT/4/6-1000-6/-14/4,5	1000	14	4,5	29,5	11,2	222	243
THGT/4/6-1000-6/-16/6,5	1000	16	6,5	28,4	12,5	282	303
THGT/4/6-1000-6/-20/8,5	1000	20	8,5	34,9	16,3	317	338

THGT/4/6-1000-9/-6/2,2	1000	6	2,2	13,7	7,0	171	192
THGT/4/6-1000-9/-10/3,3	1000	10	3,3	22,0	8,7	212	233
THGT/4/6-1000-9/-14/4,5	1000	14	4,5	29,5	11,2	227	248
THGT/4/6-1000-9/-16/6,5	1000	16	6,5	28,4	12,5	287	308
THGT/4/6-1000-9/-20/8,5	1000	20	8,5	34,9	16,3	322	343

THGT/4/6-1120-3/-4,5/1,5	1120	4,5	1,5	10,2	5,4	166	198
THGT/4/6-1120-3/-6/2,2	1120	6	2,2	13,7	7,0	177	209
THGT/4/6-1120-3/-10/3,3	1120	10	3,3	22,0	8,7	218	250
THGT/4/6-1120-3/-14/4,5	1120	14	4,5	29,5	11,2	233	265
THGT/4/6-1120-3/-16/6,5	1120	16	6,5	28,4	12,5	293	325
THGT/4/6-1120-3/-20/8,5	1120	20	8,5	34,9	16,3	328	360

THGT/4/6-1120-6/-6/2,2	1120	6	2,2	13,7	7,0	182	219
THGT/4/6-1120-6/-10/3,3	1120	10	3,3	22,0	8,7	223	260
THGT/4/6-1120-6/-14/4,5	1120	14	4,5	29,5	11,2	238	275
THGT/4/6-1120-6/-16/6,5	1120	16	6,5	28,4	12,5	298	335
THGT/4/6-1120-6/-20/8,5	1120	20	8,5	34,9	16,3	333	370
THGT/4/6-1120-6/-26/9	1120	26	9	47,7	18,6	383	420
THGT/4/6-1120-6/-34/12	1120	34	12	65,6	28,0	482	519

THGT/4/6-1120-9/-10/3,3	1120	10	3,3	22,0	8,7	229	288
THGT/4/6-1120-9/-14/4,5	1120	14	4,5	29,5	11,2	244	303
THGT/4/6-1120-9/-16/6,5	1120	16	6,5	28,4	12,5	304	363
THGT/4/6-1120-9/-20/8,5	1120	20	8,5	34,9	16,3	339	398
THGT/4/6-1120-9/-26/9	1120	26	9	47,7	18,6	389	448
THGT/4/6-1120-9/-34/12	1120	34	12	65,6	28,0	488	547
THGT/4/6-1120-9/-40/14	1120	40	14	75,5	29,0	542	601

TECHNICAL CHARACTERISTICS - F300/F200 120 - 4/6 POLES (CONTINUATION)

Model	Dia- meter (mm)	Motor power		Full load current 400V (A)		Weight (kg)	
		HS	LS	HS	LS	Short casing	Long casing
THGT/4/6-1250-3/-6/2,2	1250	6	2,2	13,7	7,0	193	235
THGT/4/6-1250-3/-10/3,3	1250	10	3,3	22,0	8,7	234	276
THGT/4/6-1250-3/-14/4,5	1250	14	4,5	29,5	11,2	249	291
THGT/4/6-1250-3/-16/6,5	1250	16	6,5	28,4	12,5	309	351
THGT/4/6-1250-3/-20/8,5	1250	20	8,5	34,9	16,3	344	386
THGT/4/6-1250-3/-26/9	1250	26	9	47,7	18,6	394	436
THGT/4/6-1250-3/-34/12	1250	34	12	65,6	28,0	493	535
THGT/4/6-1250-6/-10/3,3	1250	10	3,3	22,0	8,7	240	282
THGT/4/6-1250-6/-14/4,5	1250	14	4,5	29,5	11,2	255	297
THGT/4/6-1250-6/-16/6,5	1250	16	6,5	28,4	12,5	315	357
THGT/4/6-1250-6/-20/8,5	1250	20	8,5	34,9	16,3	350	392
THGT/4/6-1250-6/-26/9	1250	26	9	47,7	18,6	400	442
THGT/4/6-1250-6/-34/12	1250	34	12	65,6	28,0	499	541
THGT/4/6-1250-6/-40/14	1250	40	14	75,5	29,0	553	595
THGT/4/6-1250-9/-14/4,5	1250	14	4,5	29,5	11,2	261	303
THGT/4/6-1250-9/-16/6,5	1250	16	6,5	28,4	12,5	321	363
THGT/4/6-1250-9/-20/8,5	1250	20	8,5	34,9	16,3	356	398
THGT/4/6-1250-9/-26/9	1250	26	9	47,7	18,6	406	448
THGT/4/6-1250-9/-34/12	1250	34	12	65,6	28,0	505	547
THGT/4/6-1250-9/-40/14	1250	40	14	75,5	29,0	559	601
THGT/4/6-1250-12/-20/8,5	1250	20	8,5	34,9	16,3	362	404
THGT/4/6-1250-12/-26/9	1250	26	9	47,7	18,6	412	454
THGT/4/6-1250-12/-34/12	1250	34	12	65,6	28,0	511	553
THGT/4/6-1250-12/-40/14	1250	40	14	75,5	29,0	565	607
THGT/4/6-1250-12/-50/18	1250	50	18	90,2	38,4	652	694
THGT/4/6-1409-3/-14/4,5	1400	14	4,5	29,5	11,2	407	561
THGT/4/6-1409-3/-16/6,5	1400	16	6,5	28,4	12,5	467	621
THGT/4/6-1409-3/-20/8,5	1400	20	8,5	34,9	16,3	502	656
THGT/4/6-1409-3/-26/9	1400	26	9	47,7	18,6	552	706
THGT/4/6-1409-3/-34/12	1400	34	12	65,6	28,0	651	805
THGT/4/6-1409-3/-40/14	1400	40	14	75,5	29,0	705	859
THGT/4/6-1409-3/-50/18	1400	50	18	90,2	38,4	801	955
THGT/4/6-1409-3/-70/25	1400	70	25	128,0	58,8	968	1122
THGT/4/6-1409-6/-26/9	1400	26	9	47,7	18,6	565	719
THGT/4/6-1409-6/-34/12	1400	34	12	65,6	28,0	664	818
THGT/4/6-1409-6/-40/14	1400	40	14	75,5	29,0	718	872
THGT/4/6-1409-6/-50/18	1400	50	18	90,2	38,4	814	968
THGT/4/6-1409-6/-70/25	1400	70	25	128,0	58,8	981	1135
THGT/4/6-1409-6/-80/28	1400	80	28	147,0	63,8	1044	1198
THGT/4/6-1409-6/-95/34	1400	95	34	173,0	66,3	1199	1353
THGT/4/6-1409-6/-115/40	1400	115	40	200,0	76,9	1306	1460

Model	Dia- meter (mm)	Motor power		Full load current 400V (A)		Weight (kg)	
		HS	LS	HS	LS	Short casing	Long casing
THGT/4/6-1409-9/-40/14	1400	40	14	75,5	29,0	731	885
THGT/4/6-1409-9/-50/18	1400	50	18	90,2	38,4	827	981
THGT/4/6-1409-9/-70/25	1400	70	25	128,0	58,8	994	1148
THGT/4/6-1409-9/-80/28	1400	80	28	147,0	63,8	1057	1211
THGT/4/6-1409-9/-95/34	1400	95	34	173,0	66,3	1212	1366
THGT/4/6-1409-9/-115/40	1400	115	40	200,0	76,9	1319	1473
THGT/4/6-1409-9/-125/45	1400	125	45	217,0	92,2	1319	1473
THGT/4/6-1409-9/-145/55	1400	145	55	264,0	116,0	1319	1473
THGT/4/6-1409-12/-50/18	1400	50	18	90,2	38,4	840	994
THGT/4/6-1409-12/-70/25	1400	70	25	128,0	58,8	1007	1161
THGT/4/6-1409-12/-80/28	1400	80	28	147,0	63,8	1070	1224
THGT/4/6-1409-12/-95/34	1400	95	34	173,0	66,3	1225	1379
THGT/4/6-1409-12/-115/40	1400	115	40	200,0	76,9	1332	1486
THGT/4/6-1409-12/-125/45	1400	125	45	217,0	92,2	1332	1486
THGT/4/6-1409-12/-145/55	1400	145	55	264,0	116,0	1332	1486
THGT/4/6-1609-3/-34/12	1600	34	12	65,6	28,0	704	904
THGT/4/6-1609-3/-40/14	1600	40	14	75,5	29,0	758	958
THGT/4/6-1609-3/-50/18	1600	50	18	90,2	38,4	863	1063
THGT/4/6-1609-3/-70/25	1600	70	25	128,0	58,8	1030	1230
THGT/4/6-1609-3/-80/28	1600	80	28	147,0	63,8	1093	1293
THGT/4/6-1609-3/-95/34	1600	95	34	173,0	66,3	1248	1448
THGT/4/6-1609-3/-115/40	1600	115	40	200,0	76,9	1355	1555
THGT/4/6-1609-6/-70/25	1600	70	25	128,0	58,8	1044	1244
THGT/4/6-1609-6/-80/28	1600	80	28	147,0	63,8	1107	1307
THGT/4/6-1609-6/-95/34	1600	95	34	173,0	66,3	1262	1462
THGT/4/6-1609-6/-115/40	1600	115	40	200,0	76,9	1369	1569
THGT/4/6-1609-6/-125/45	1600	125	45	217,0	92,2	1369	1569
THGT/4/6-1609-6/-145/55	1600	145	55	264,0	116,0	1369	1569
THGT/4/6-1609-9/-70/25	1600	70	25	128,0	58,8	1058	1258
THGT/4/6-1609-9/-80/28	1600	80	28	147,0	63,8	1121	1321
THGT/4/6-1609-9/-95/34	1600	95	34	173,0	66,3	1276	1476
THGT/4/6-1609-9/-115/40	1600	115	40	200,0	76,9	1383	1583
THGT/4/6-1609-9/-125/45	1600	125	45	217,0	92,2	1383	1583
THGT/4/6-1609-9/-145/55	1600	145	55	264,0	116,0	1383	1583
THGT/4/6-1609-12/-70/25	1600	70	25	128,0	58,8	1073	1273
THGT/4/6-1609-12/-80/28	1600	80	28	147,0	63,8	1136	1336
THGT/4/6-1609-12/-95/34	1600	95	34	173,0	66,3	1291	1491
THGT/4/6-1609-12/-115/40	1600	115	40	200,0	76,9	1398	1598
THGT/4/6-1609-12/-125/45	1600	125	45	217,0	92,2	1398	1598
THGT/4/6-1609-12/-145/55	1600	145	55	264,0	116,0	1398	1598

TECHNICAL CHARACTERISTICS - F300/F200 120 - 6/12 POLES

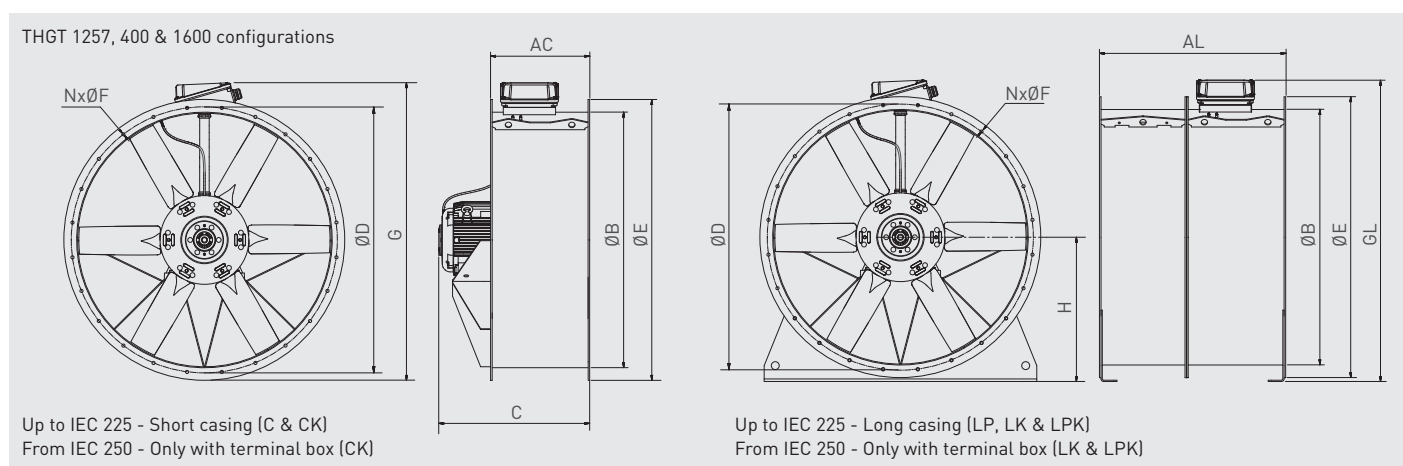
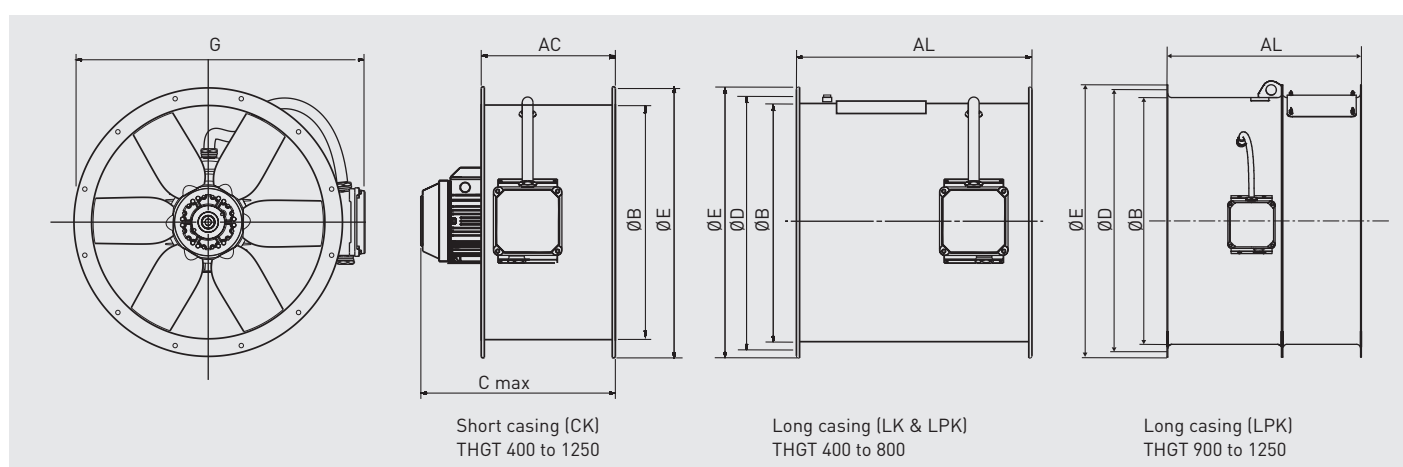
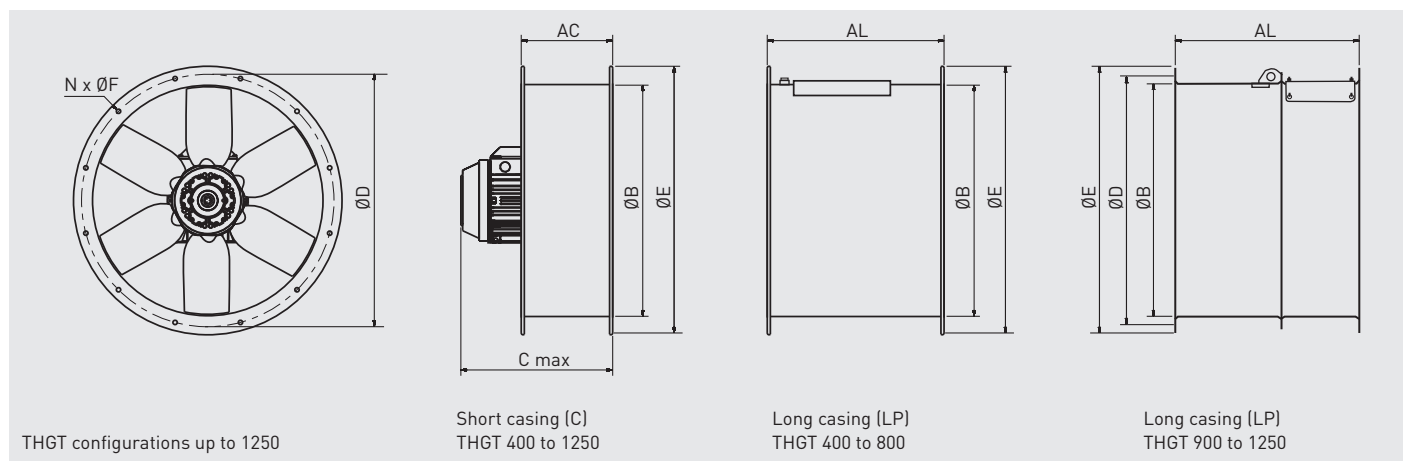
Model	Dia- meter (mm)	Motor power		Full load current 400V (A)		Weight (kg)	
		HS	LS	HS	LS	Short casing	Long casing
THGT/6/12-560-6/-0,55/0,09	560	0,55	0,09	2,1	0,9	63	80
THGT/6/12-630-6/-0,55/0,09	630	0,55	0,09	2,1	0,9	70	85
THGT/6/12-630-6/-0,75/0,12	630	0,75	0,12	2,3	1,0	72	87
THGT/6/12-710-3/-0,55/0,09	710	0,55	0,09	2,1	0,9	65	89
THGT/6/12-710-3/-0,75/0,12	710	0,75	0,12	2,3	1,0	67	91
THGT/6/12-710-6/-0,55/0,09	710	0,55	0,09	2,1	0,9	69	92
THGT/6/12-710-6/-0,75/0,12	710	0,75	0,12	2,3	1,0	71	94
THGT/6/12-710-6/-1,1/0,18	710	1,1	0,18	4,5	1,7	83	106
THGT/6/12-800-3/-0,55/0,09	800	0,55	0,09	2,1	0,9	82	99
THGT/6/12-800-3/-0,75/0,12	800	0,75	0,12	2,3	1,0	84	101
THGT/6/12-800-6/-0,55/0,09	800	0,55	0,09	2,1	0,9	85	102
THGT/6/12-800-6/-0,75/0,12	800	0,75	0,12	2,3	1,0	87	104
THGT/6/12-800-6/-1,1/0,18	800	1,1	0,18	4,5	1,7	99	116
THGT/6/12-800-6/-1,5/0,25	800	1,5	0,25	4,2	1,7	102	119
THGT/6/12-800-6/-2,2/0,37	800	2,2	0,37	5,7	2,2	104	121
THGT/6/12-800-9/-1,1/0,18	800	1,1	0,18	4,5	1,7	103	120
THGT/6/12-800-9/-1,5/0,25	800	1,5	0,25	4,2	1,7	106	123
THGT/6/12-800-9/-2,2/0,37	800	2,2	0,37	5,7	2,2	108	125
THGT/6/12-800-9/-3/0,55	800	3	0,55	8,9	3,8	143	160
THGT/6/12-900-3/-1,1/0,18	900	1,1	0,18	4,5	1,7	109	128
THGT/6/12-900-3/-1,5/0,25	900	1,5	0,25	4,2	1,7	112	131
THGT/6/12-900-6/-1,1/0,18	900	1,1	0,18	4,5	1,7	114	133
THGT/6/12-900-6/-1,5/0,25	900	1,5	0,25	4,2	1,7	117	136
THGT/6/12-900-6/-2,2/0,37	900	2,2	0,37	5,7	2,2	119	138
THGT/6/12-900-6/-3/0,55	900	3	0,55	8,9	3,8	154	173
THGT/6/12-900-9/-1,1/0,18	900	1,1	0,18	4,5	1,7	118	137
THGT/6/12-900-9/-1,5/0,25	900	1,5	0,25	4,2	1,7	121	140
THGT/6/12-900-9/-2,2/0,37	900	2,2	0,37	5,7	2,2	123	142
THGT/6/12-900-9/-3/0,55	900	3	0,55	8,9	3,8	158	177
THGT/6/12-1000-3/-1,1/0,18	1000	1,1	0,18	4,5	1,7	117	138
THGT/6/12-1000-3/-1,5/0,25	1000	1,5	0,25	4,2	1,7	120	141
THGT/6/12-1000-3/-2,2/0,37	1000	2,2	0,37	5,7	2,2	122	143
THGT/6/12-1000-3/-3/0,55	1000	3	0,55	8,9	3,8	157	178
THGT/6/12-1000-3/-4/0,65	1000	4	0,65	9,3	2,9	157	178

Model	Dia- meter (mm)	Motor power		Full load current 400V (A)		Weight (kg)	
		HS	LS	HS	LS	Short casing	Long casing
THGT/6/12-1000-6/-1,1/0,18	1000	1,1	0,18	4,5	1,7	122	143
THGT/6/12-1000-6/-1,5/0,25	1000	1,5	0,25	4,2	1,7	125	146
THGT/6/12-1000-6/-2,2/0,37	1000	2,2	0,37	5,7	2,2	127	148
THGT/6/12-1000-6/-3/0,55	1000	3	0,55	8,9	3,8	162	183
THGT/6/12-1000-6/-4/0,65	1000	4	0,65	9,3	2,9	162	183
THGT/6/12-1000-6/-6/1,2	1000	6	1,2	13,4	5,6	210	231
THGT/6/12-1000-9/-1,5/0,25	1000	1,5	0,25	4,2	1,7	130	151
THGT/6/12-1000-9/-2,2/0,37	1000	2,2	0,37	5,7	2,2	132	153
THGT/6/12-1000-9/-3/0,55	1000	3	0,55	8,9	3,8	167	188
THGT/6/12-1000-9/-4/0,65	1000	4	0,65	9,3	2,9	167	188
THGT/6/12-1000-9/-6/1,2	1000	6	1,2	13,4	5,6	215	236
THGT/6/12-1000-9/-7,5/1,5	1000	7,5	1,5	16,4	6,5	222	243
THGT/6/12-1120-3/-1,1/0,18	1120	1,1	0,18	4,5	1,7	133	165
THGT/6/12-1120-3/-1,5/0,25	1120	1,5	0,25	4,2	1,7	136	168
THGT/6/12-1120-3/-2,2/0,37	1120	2,2	0,37	5,7	2,2	138	170
THGT/6/12-1120-3/-3/0,55	1120	3	0,55	8,9	3,8	173	205
THGT/6/12-1120-3/-4/0,65	1120	4	0,65	9,3	2,9	173	205
THGT/6/12-1120-3/-6/1,2	1120	6	1,2	13,4	5,6	221	253
THGT/6/12-1120-6/-3/0,55	1120	3	0,55	8,9	3,8	178	215
THGT/6/12-1120-6/-4/0,65	1120	4	0,65	9,3	2,9	178	215
THGT/6/12-1120-6/-6/1,2	1120	6	1,2	13,4	5,6	226	263
THGT/6/12-1120-6/-7,5/1,5	1120	7,5	1,5	16,4	6,5	233	270
THGT/6/12-1120-6/-12/2,4	1120	12	2,4	23,4	8,1	303	340
THGT/6/12-1120-9/-4/0,65	1120	4	0,65	9,3	2,9	184	243
THGT/6/12-1120-9/-6/1,2	1120	6	1,2	13,4	5,6	232	291
THGT/6/12-1120-9/-7,5/1,5	1120	7,5	1,5	16,4	6,5	239	298
THGT/6/12-1120-9/-12/2,4	1120	12	2,4	23,4	8,1	309	368
THGT/6/12-1250-3/-2,2/0,37	1250	2,2	0,37	5,7	2,2	154	196
THGT/6/12-1250-3/-3/0,55	1250	3	0,55	8,9	3,8	189	231
THGT/6/12-1250-3/-4/0,65	1250	4	0,65	9,3	2,9	189	231
THGT/6/12-1250-3/-6/1,2	1250	6	1,2	13,4	5,6	237	279
THGT/6/12-1250-3/-7,5/1,5	1250	7,5	1,5	16,4	6,5	244	286
THGT/6/12-1250-3/-12/2,4	1250	12	2,4	23,4	8,1	314	356
THGT/6/12-1250-6/-3/0,55	1250	3	0,55	8,9	3,8	195	237
THGT/6/12-1250-6/-4/0,65	1250	4	0,65	9,3	2,9	195	237
THGT/6/12-1250-6/-6/1,2	1250	6	1,2	13,4	5,6	243	285
THGT/6/12-1250-6/-7,5/1,5	1250	7,5	1,5	16,4	6,5	250	292
THGT/6/12-1250-6/-12/2,4	1250	12	2,4	23,4	8,1	320	362
THGT/6/12-1250-6/-17/4,3	1250	17	4,3	31,0	10,2	400	442

TECHNICAL CHARACTERISTICS - F300/F200 120 - 6/12 POLES (CONTINUATION)

Model	Dia- meter (mm)	Motor power		Full load current 400V (A)		Weight (kg)		Model	Dia- meter (mm)	Motor power		Full load current 400V (A)		Weight (kg)	
		HS	LS	HS	LS	Short casing	Long casing			HS	LS	HS	LS	Short casing	Long casing
THGT/6/12-1250-9/-4/0,65	1250	4	0,65	9,3	2,9	201	243	THGT/6/12-1609-3/-12/2,4	1600	12	2,4	23,4	8,1	525	725
THGT/6/12-1250-9/-6/1,2	1250	6	1,2	13,4	5,6	249	291	THGT/6/12-1609-3/-17/4,3	1600	17	4,3	31,0	10,2	605	805
THGT/6/12-1250-9/-7,5/1,5	1250	7,5	1,5	16,4	6,5	256	298	THGT/6/12-1609-3/-20/5	1600	20	5	39,0	14,3	640	840
THGT/6/12-1250-9/-12/2,4	1250	12	2,4	23,4	8,1	326	368	THGT/6/12-1609-3/-28/6,5	1600	28	6,5	52,6	17,9	710	910
THGT/6/12-1250-9/-17/4,3	1250	17	4,3	31,0	10,2	406	448	THGT/6/12-1609-3/-35/8	1600	35	8	67,0	21,8	745	945
THGT/6/12-1250-9/-20/5	1250	20	5	39,0	14,3	441	483								
								THGT/6/12-1609-6/-17/4,3	1600	17	4,3	31,0	10,2	619	819
THGT/6/12-1409-3/-6/1,2	1400	6	1,2	13,4	5,6	395	549	THGT/6/12-1609-6/-20/5	1600	20	5	39,0	14,3	654	854
THGT/6/12-1409-3/-7,5/1,5	1400	7,5	1,5	16,4	6,5	402	556	THGT/6/12-1609-6/-28/6,5	1600	28	6,5	52,6	17,9	724	924
THGT/6/12-1409-3/-12/2,4	1400	12	2,4	23,4	8,1	472	626	THGT/6/12-1609-6/-35/8	1600	35	8	67,0	21,8	759	959
THGT/6/12-1409-3/-17/4,3	1400	17	4,3	31,0	10,2	552	706	THGT/6/12-1609-6/-37/9,2	1600	37	9,2	70,6	24,6	807	1007
								THGT/6/12-1609-6/-44/11	1600	44	11	84,7	30,3	847	1047
THGT/6/12-1409-6/-12/2,4	1400	12	2,4	23,4	8,1	485	639	THGT/6/12-1609-6/-55/14,7	1600	55	14,7	106,0	38,8	1014	1214
THGT/6/12-1409-6/-17/4,3	1400	17	4,3	31,0	10,2	565	719	THGT/6/12-1609-6/-68/17	1600	68	17	124,0	41,9	1096	1296
THGT/6/12-1409-6/-20/5	1400	20	5	39,0	14,3	600	754								
THGT/6/12-1409-6/-28/6,5	1400	28	6,5	52,6	17,9	670	824	THGT/6/12-1609-9/-20/5	1600	20	5	39,0	14,3	668	868
THGT/6/12-1409-6/-35/8	1400	35	8	67,0	21,8	705	859	THGT/6/12-1609-9/-28/6,5	1600	28	6,5	52,6	17,9	738	938
								THGT/6/12-1609-9/-35/8	1600	35	8	67,0	21,8	773	973
THGT/6/12-1409-9/-12/2,4	1400	12	2,4	23,4	8,1	498	652	THGT/6/12-1609-9/-37/9,2	1600	37	9,2	70,6	24,6	821	1021
THGT/6/12-1409-9/-17/4,3	1400	17	4,3	31,0	10,2	578	732	THGT/6/12-1609-9/-44/11	1600	44	11	84,7	30,3	861	1061
THGT/6/12-1409-9/-20/5	1400	20	5	39,0	14,3	613	767	THGT/6/12-1609-9/-55/14,7	1600	55	14,7	106,0	38,8	1028	1228
THGT/6/12-1409-9/-28/6,5	1400	28	6,5	52,6	17,9	683	837	THGT/6/12-1609-9/-68/17	1600	68	17	124,0	41,9	1110	1310
THGT/6/12-1409-9/-35/8	1400	35	8	67,0	21,8	718	872	THGT/6/12-1609-9/-80/20	1600	80	20	147,0	53,7	1328	1528
THGT/6/12-1409-9/-37/9,2	1400	37	9,2	70,6	24,6	757	911								
THGT/6/12-1409-9/-44/11	1400	44	11	84,7	30,3	797	951	THGT/6/12-1609-12/-28/6,5	1600	28	6,5	52,6	17,9	753	953
								THGT/6/12-1609-12/-35/8	1600	35	8	67,0	21,8	788	988
THGT/6/12-1409-12/-17/4,3	1400	17	4,3	31,0	10,2	591	745	THGT/6/12-1609-12/-37/9,2	1600	37	9,2	70,6	24,6	836	1036
THGT/6/12-1409-12/-20/5	1400	20	5	39,0	14,3	626	780	THGT/6/12-1609-12/-44/11	1600	44	11	84,7	30,3	876	1076
THGT/6/12-1409-12/-28/6,5	1400	28	6,5	52,6	17,9	696	850	THGT/6/12-1609-12/-55/14,7	1600	55	14,7	106,0	38,8	1043	1243
THGT/6/12-1409-12/-35/8	1400	35	8	67,0	21,8	731	885	THGT/6/12-1609-12/-68/17	1600	68	17	124,0	41,9	1125	1325
THGT/6/12-1409-12/-37/9,2	1400	37	9,2	70,6	24,6	770	924	THGT/6/12-1609-12/-80/20	1600	80	20	147,0	53,7	1343	1543
THGT/6/12-1409-12/-44/11	1400	44	11	84,7	30,3	810	964								

DIMENSIONS (mm)



Model	AC	AL	B	C	D	E	F	G	GL	H	N
400	250	380	400	402	450	487	12	558	-	-	8
450	250	480	450	457	500	537	12	613	-	-	8
500	250	480	500	467	560	595	12	662	-	-	12
560	280	600	560	564	620	655	12	726	-	-	12
630	280	700	630	564	690	725	12	795	-	-	12
710	380	600	710	564	770	806	12	849	-	-	16
800	380	600	800	564	860	896	12	940	-	-	16
900	450	750	900	737	970	1005	15	1045	-	-	16
1000	450	780	1000	767	1070	1105	15	1145	-	-	16
1120	500	1150	1120	950	1190	1225	15	1268	-	-	20
1250	500	1150	1250	950	1320	1355	15	1421	-	-	20
1257	625	1175	1250	830	1320	1358	15	1505	-	-	20
1409	625	1175	1400	1130	1470	1512	15	1659	1663	781	20
1609	625	1275	1600	1250	1680	1772	20	1900	1910	910	24

* Dimensions corresponding to the largest motor available for the range. For more detailed information depending on the working point, please refer to Easyvent.

MOUNTING ACCESSORIES

Model	Circular duct matching flange	Bellmouth protection guard	Circular flexible connector	Inlet grille guard	Outlet grille guard
400	ARO BRIDA TGT/THGT-400 N	EMB- 400T or S	ACOPEL F400-400/160 N	DEF.ASP.TGT/THGT-400 (impeller side)	DEF.DES.TGT/THGT-400 (motor side)
450	ARO BRIDA TGT/THGT-450 N	EMB- 450T or S	ACOPEL F400-450/160 N	DEF.ASP.TGT/THGT-450 (impeller side)	DEF.DES.TGT/THGT-450 (motor side)
500	ARO BRIDA TGT/THGT-500 N	EMB- 500T or S	ACOPEL F400-500/160 N	DEF.ASP.TGT/THGT-500 (impeller side)	DEF.DES.TGT/THGT-500 (motor side)
560	ARO BRIDA TGT/THGT-560 N	EMB- 560T or S	ACOPEL F400-560/160 N	DEF.ASP.TGT/THGT-560 (impeller side)	DEF.DES.TGT/THGT-560 (motor side)
630	ARO BRIDA TGT/THGT-630 N	EMB- 630T or S	ACOPEL F400-630/160 N	DEF.ASP.TGT/THGT-630 (impeller side)	DEF.DES.TGT/THGT-630 (motor side)
710	ARO BRIDA TGT/THGT-710 N	EMB- 710T	ACOPEL F400-710/180 N	DEF.ASP.TGT/THGT-710 (impeller side)	DEF.DES.TGT/THGT-710 (motor side)
800	ARO BRIDA TGT/THGT-800 N	EMB- 800T	ACOPEL F400-800/180 N	DEF.ASP.TGT/THGT-800 (impeller side)	DEF.DES.TGT/THGT-800 (motor side)
900	ARO BRIDA TGT/THGT-900 N	EMB- 900T or S	ACOPEL F400-900/180 N	DEF.ASP.TGT/THGT-900 (impeller side)	DEF.DES.TGT/THGT-900 (motor side)
1000	ARO BRIDA TGT/THGT-1000 N	EMB- 1000T or S	ACOPEL F400-1000/180 N	DEF.ASP.TGT/THGT-1000 (impeller side)	DEF.DES.TGT/THGT-1000 (motor side)
1120	ARO BRIDA TGT/THGT-1120 N	EMB- 1120T or S	ACOPEL F400-1120/200 N	DEF.ASP.TGT/THGT-1120 (impeller side)	DEF.DES.TGT/THGT-1120 (motor side)
1250	ARO BRIDA TGT/THGT-1250 N	EMB- 1250T or S	ACOPEL F400-1250/200 N	DEF.ASP.TGT/THGT-1250 (impeller side)	DEF.DES.TGT/THGT-1250 (motor side)
1400	ARO BRIDA TGT/THGT-1400 N	EMB- 1400T or S	ACOPEL F400-1400/200 N	DEF.ASP.TGT/THGT-1400 (impeller side)	DEF.DES.TGT/THGT-1400 (motor side)
1600	ARO BRIDA TGT/THGT-1600 N	EMB- 1600T or S	ACOPEL F400-1600/200 N	DEF.ASP.TGT/THGT-1600 (impeller side)	DEF.DES.TGT/THGT-1600 (motor side)

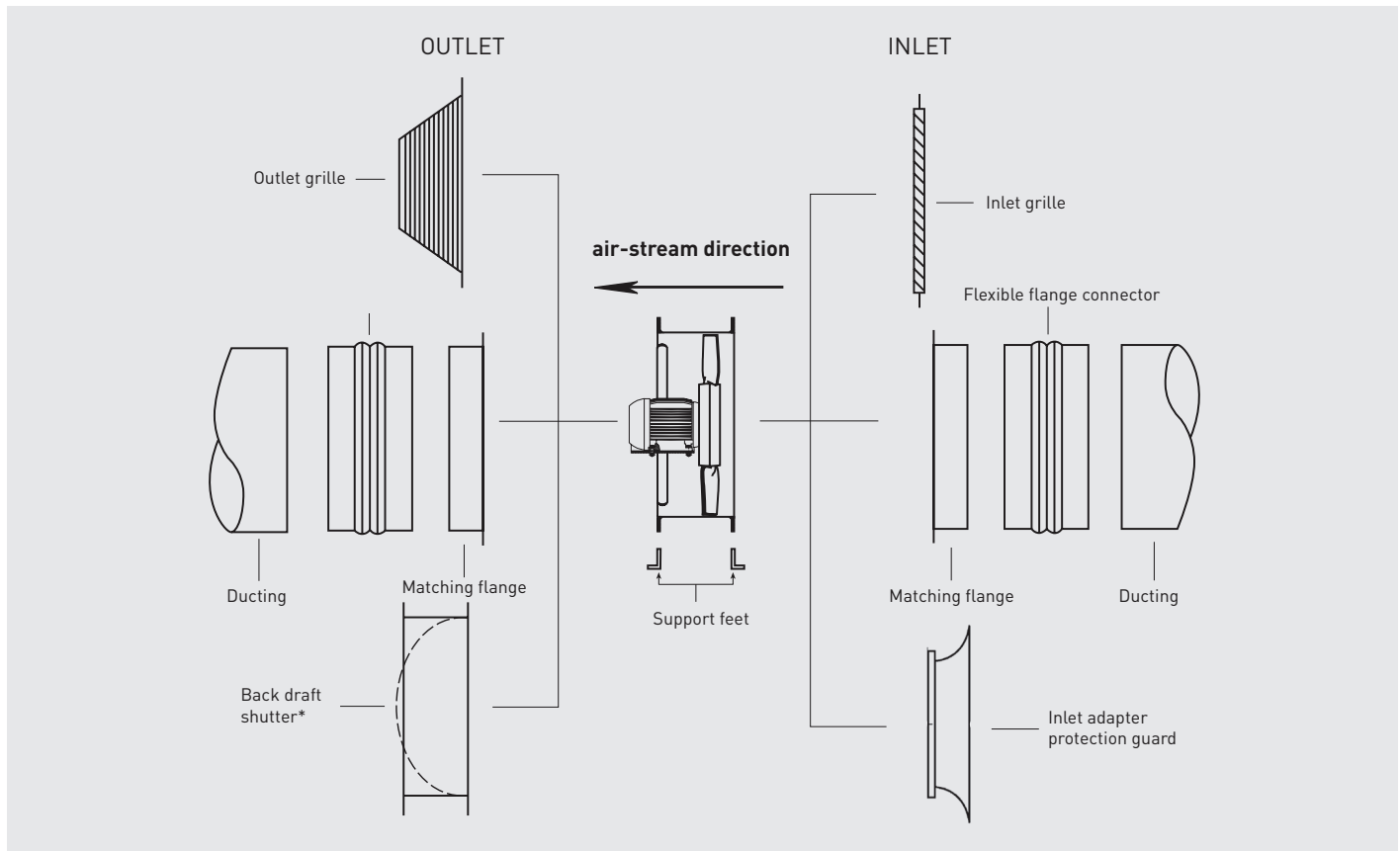


Model	Support feet (horizontal)	Support feet (vertical)	Back draft shutter	Circular sound attenuator	Attenuator with acoustic pod	Antivibration mount
400	PIE SOP.TGT/THGT-400	PIE SOP.TGT/THGT-400 V	CLAR-400	SIL CZ 400	SIL CZO 400	Divide the total weight of the fan by 4, as you need 4 antivibration mounts per unit. (see the table in the mounting accessories).
450	PIE SOP.TGT/THGT-450	PIE SOP.TGT/THGT-450 V	CLAR-450	SIL CZ 450	SIL CZO 450	
500	PIE SOP.TGT/THGT-500	PIE SOP.TGT/THGT-500 V	CLAR-500	SIL CZ 500	SIL CZO 500	
560	PIE SOP.TGT/THGT-560	PIE SOP.TGT/THGT-560 V	CLAR 560	SIL CZ 560	SIL CZO 560	
630	PIE SOP.TGT/THGT-630	PIE SOP.TGT/THGT-630 V	CLAR 630	SIL CZ 630	SIL CZO 630	
710	PIE SOP.TGT/THGT-710	PIE SOP.TGT/THGT-710 V	CLAR 710	SIL CZ 710	SIL CZO 710	
800	PIE SOP.TGT/THGT-800	PIE SOP.TGT/THGT-800 V	CLAR 800	SIL CZ 800	SIL CZO 800	
900	PIE SOP.TGT/THGT-900	PIE SOP.TGT/THGT-900 V	CLAR 900	SIL CZ 900	SIL CZO 900	
1000	PIE SOP.TGT/THGT-1000	PIE SOP.TGT/THGT-1000 V	CLAR 1000	SIL CZ 1000	SIL CZO 1000	
1120	PIE SOP.TGT/THGT-1120	PIE SOP.TGT/THGT-1120 V	CLAR 1120	SIL CZ 1120	SIL CZO 1120	
1250	PIE SOP.TGT/THGT-1250	PIE SOP.TGT/THGT-1250 V	CLAR 1250	SIL CZ 1250	SIL CZO 1250	
1400	PIE SOP.TGT/THGT-1400	PIE SOP.TGT/THGT-1400 V	CLAR 1400	SIL CZ 1400	SIL CZO 1400	
1600	PIE SOP.TGT/THGT-1600	PIE SOP.TGT/THGT-1600 V	CLAR 1600	SIL CZ 1600	SIL CZO 1600	



For more information see Mounting accessories.

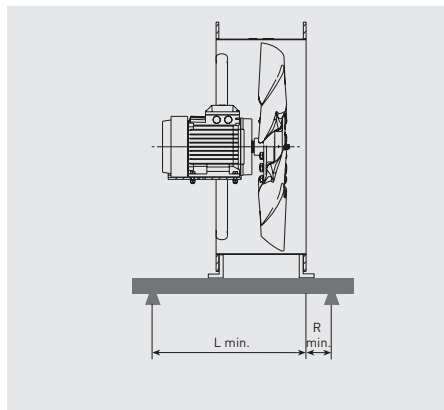
FITTING ANTI-VIBRATION MOUNTS IN THE SHORT CASING MODELS



For more information see Mounting accessories.

* For long casing version.

FITTING ANTI-VIBRATION MOUNTS IN THE SHORT CASING MODELS



When fitting anti-vibration mountings, short casing models, it is recommended they are fitted to a suitable support frame (not supplied by S&P) following the minimum distances as specified in the table.

THGT model	L min.	R min.	Total
400	370	60	430
450	430	70	500
500	440	70	510
560	550	80	630
630	550	80	630
710	550	80	630
800	550	90	640
900	750	100	850
1000	750	100	850
1120	900	100	1000
1250	900	100	1000
1400	1230	100	1330
1600	1350	100	1450