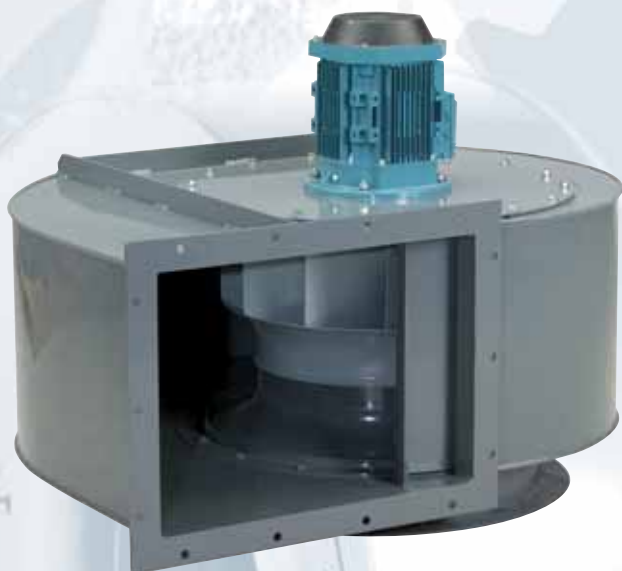


BACKWARD CURVED CENTRIFUGAL FANS

CRRT-MB Series



CONTINUOUS OPERATION

Range of single inlet direct drive centrifugal fans designed for continuous extraction of air stream up to 80°C.

Casings are manufactured from electro-welded sheet steel with a tough grey colour, epoxy-polyester paint coating. Scroll fitted with a large inspection door and a double connection flange at the fan inlet.

All models incorporate backward curved centrifugal impellers manufactured from electro-welded sheet steel and protected by a cold galvanizing process.

Available with three phase 4 pole motors.

Motors

All motors are **IP55, class F, flange-mounted (B5)**

Electrical supply:

Three-phase 230/400V-50Hz

Additional Information

Standard supplied position: LG

On request

- Fan supplied in RD positions.
- Stainless steel versions (AISI 304 or AISI 316)
- Explosion proof versions
- Fan for 60Hz application
- Fan fitted with 2-speed motor 2/4 poles.
- Motor with PTC thermal protection
- High efficiency motors (EFF1)



Backward curved impeller

APPLICATIONS



Painting cabins



CONTINUOUS OPERATION



Inspection door

Explosion proof versions in accordance to ATEX Directive, for three phase models up to 11 Kw:

- Increase safety Ⓢ II2G EExeII3
- Flame proof Ⓢ EExdIIBT5 or EExdIICT4
- Motor DIP Ⓢ II3D Dust Ignition Protection. Dusty surrounding Ex II3D 125°C or 135°C, with Dust Ignition Proof motor. Working temperature up to 40°C

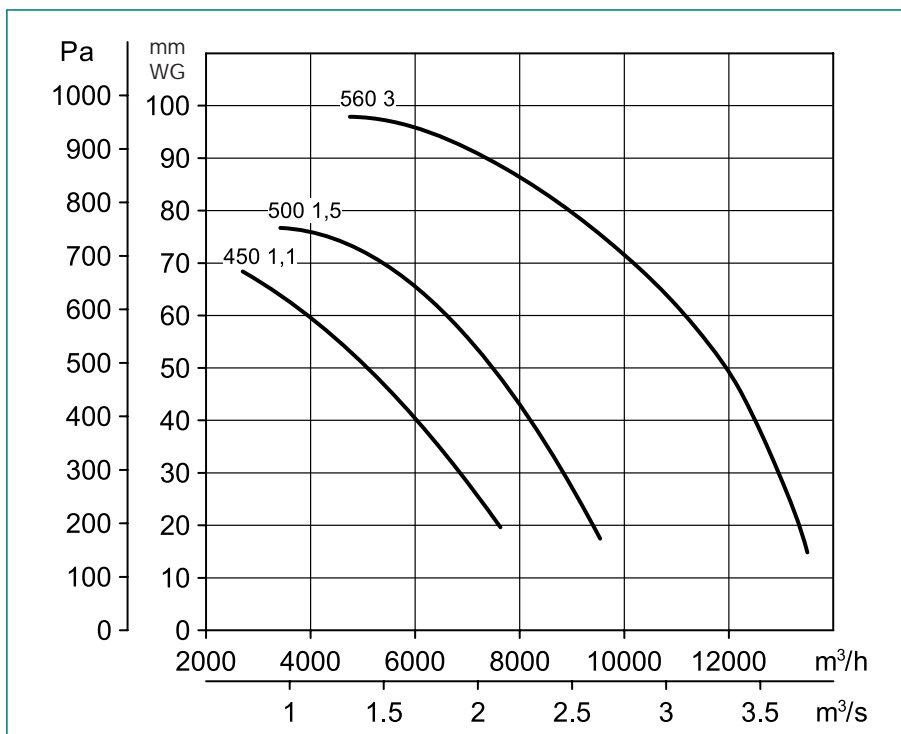
Technical characteristics

Before installation check that product electrical characteristics listed on the data plate label (Voltage, power, frequency etc) match those of the intended electrical supply. Explosion proof of types only work at an ambient temperature between -30°C and +40°C.

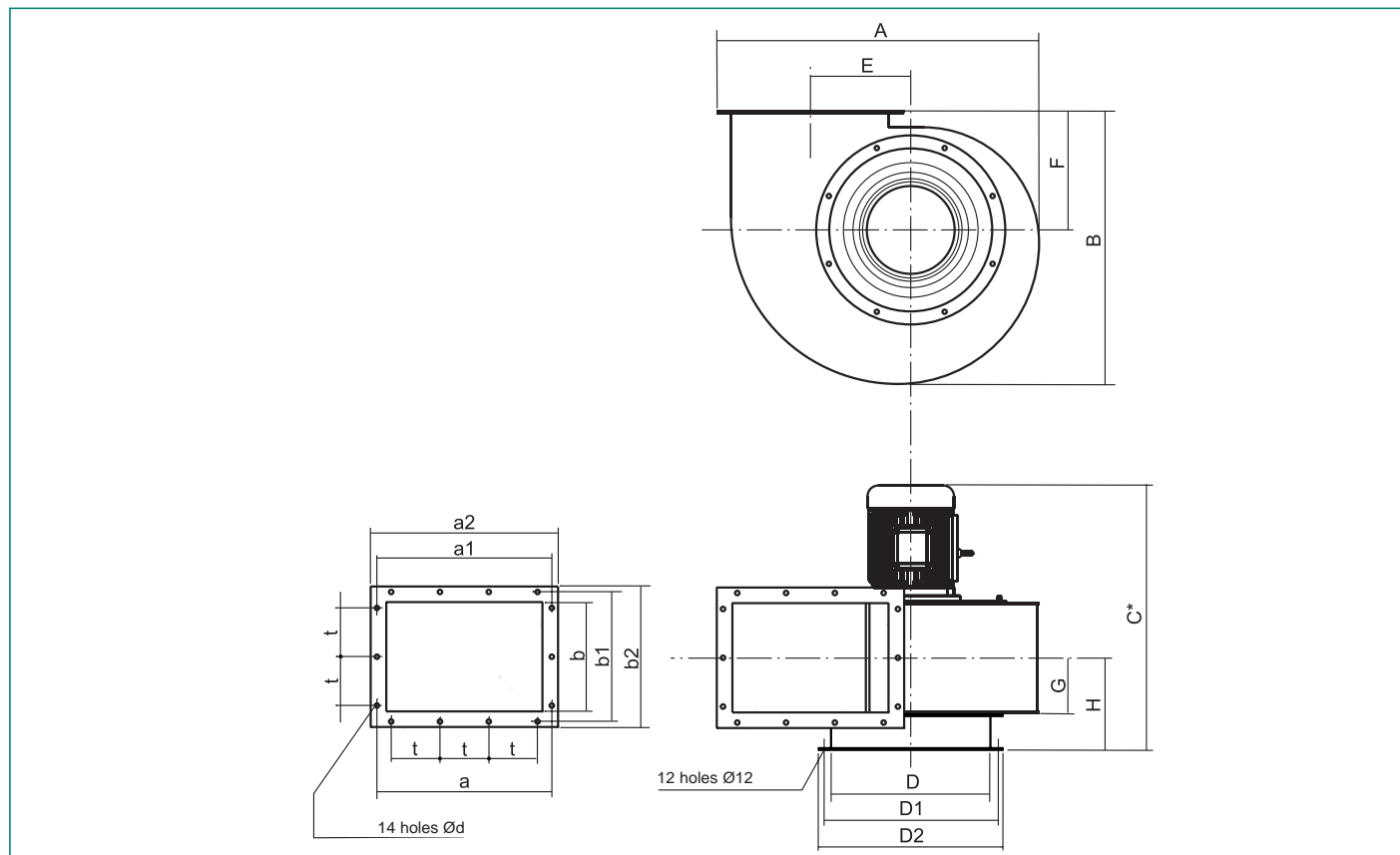
Model	Speed (r.p.m.)	Motor power (kW)	Maximum absorbed current 400 V (A)	Maximum airflow (m ³ /h)	Sound pressure level (dB(A))	Weight (kg)
CRRT/4-450 MB 1,1	1410	1,1	2,57	7.630	70	93
CRRT/4-500 MB 1,5	1420	1,5	3,45	9.540	71	125
CRRT/4-560 MB 3	1435	3	6,50	13.500	73	142

■ Performance curves

- Fan ducted on both inlet and outlet sides.
- Air volume in m³/h and m³/s.
- Static pressure in mmWG and Pa.



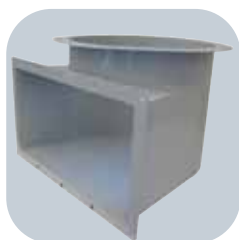
■ Dimensions (mm)



Model	A	B	C	E	F	G	H	D	D1	D2	a	b	a1	b1	a2	b2	t	d
CRRT/4-450 MB	910	750	685	280	335	162	302	450	500	537	450	315	497	366	530	395	125	11
CRRT/4-500 MB	1005	835	740	315	355	182	322	500	565	600	500	355	551	405	580	435	125	11
CRRT/4-560 MB	1130	940	820	355	400	205	345	560	610	660	560	400	629	464	660	500	160	14



■ Specific accessory



DEFLECTOR
 Deflector to be mounted at the fan outlet to drive up the air-stream.

Model	A	B	C	E
CRRT/4-450 MB	568	455	257,5	293
CRRT/4-500 MB	628	495	277,5	318
CRRT/4-560 MB	700	550	300	340

Model	d	d1	d2	nxØ
CRRT/4-450 MB	450	500	550	8x12
CRRT/4-500 MB	500	560	620	12x12
CRRT/4-560 MB	560	629	700	16x12

