



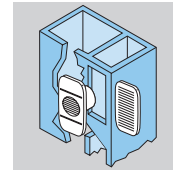
EDM-80 N

Range of axial extractors with airflow rates of 80 m³/h, for connection to 100 mm diameter circular ducting.

All the fans are manufactured from injection moulded plastic, fitted single phase 230V-50Hz, class B motor equipped with overload thermal protection. The "Z" versions incorporate long life motors fitted with ball bearings. All the fans are class II insulation, IP44 rated and suitable to operate with air temperature up to 40°C.



EDM-80 L



Installation EDM-80 L

Models EDM-80 L designed to substitute the ventilation rectangular grille.

MODEL FEATURES

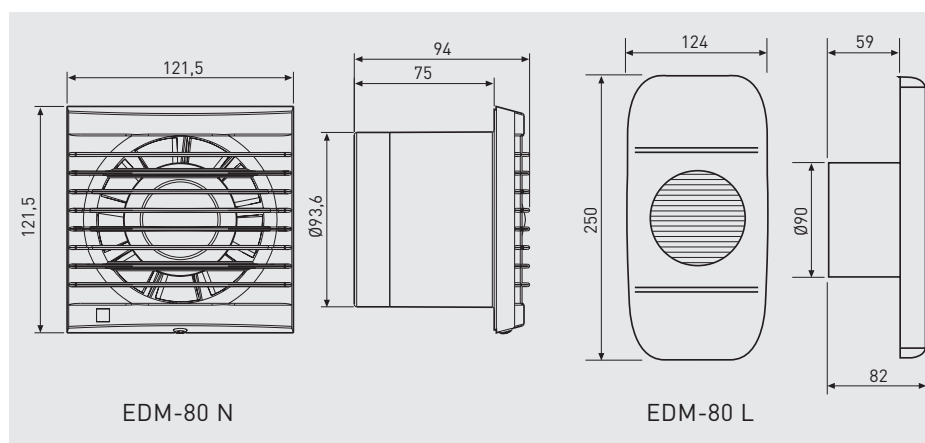
| | N | NZ | NT | NTZ | L | LR |
|---|---|----|----|-----|---|----|
| DISCHARGE GUIDE VANE | ● | ● | ● | ● | | |
| FIXED 8 MIN PERIOD RUN-ON-TIMER | | | ● | ● | | |
| ADJUSTABLE PERIOD RUN-ON-TIMER | | | | | | ● |
| DESIGN TO SUBSTITUTE THE VENTILATION RECTANGULAR GRILLE | | | | | ● | ● |
| BALL BEARINGS GREASED FOR LIFE | | ● | | ● | | |

TECHNICAL CHARACTERISTICS

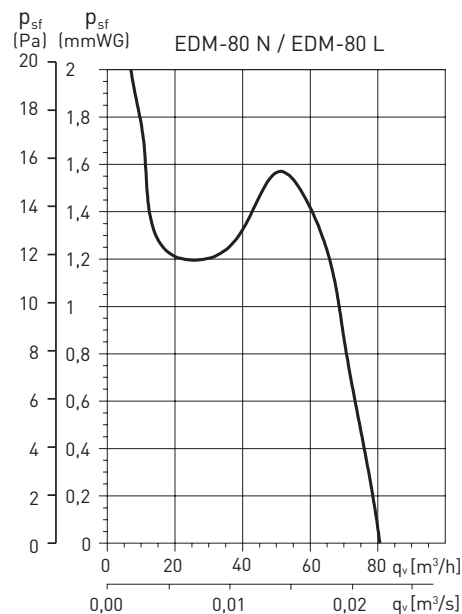
| Model | Speed (rpm) | Max. abs. power at free discharge (W) | Voltage (V) 50 Hz | Sound pressure level* (dB(A)) | Maximum airflow (m ³ /h) | IP | Ø duct (mm) | Weight (kg) |
|----------|-------------|---------------------------------------|-------------------|-------------------------------|-------------------------------------|-----------------|-------------|-------------|
| EDM-80 N | 2350 | 9 | 230 | 33 | 80 | Class II / IP44 | 100 | 0,4 |
| EDM-80 L | 2300 | 13 | 230 | 33 | 80 | Class II / IP44 | 100 | 0,4 |

* Sound pressure level measured at 1,5 m at free air conditions.

DIMENSIONS (mm)



PERFORMANCE CURVE



ACCESSORIES



GSA-M0 100
Flexible aluminium ducting.



GRA-75
Aluminium exterior grille.



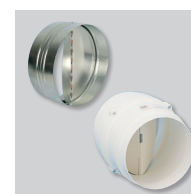
FIXED SHUTTER AND TELESCOPIC DUCT
(200 to 420 mm).



CX-80/125
Worm drive ducting clip.



PER-100W
Back draft shutter.



CAR-100 CM-130
Back draft shutters.



EDM-100 C



EDM-100 CH



EDM-100 VM



EDM-100 12V

Range of axial extractors with airflow rates of 100 m³/h, for connection to 100 mm diameter circular ducting.

All the fans are manufactured from injection moulded plastic, fitted with neon light indicator (1) and single single phase 230V-50Hz, class B motor equipped with overload thermal protection.

The "Z" versions incorporate long life motors fitted with ball bearings. All the fans are class II insulation (2), IP44 rated (3) and suitable to operate with air temperature up to 40°C.

(1) Except "S" Basic model

(2) H versions: IP30

(3) 12V Versions: IP57, class III insulation



Back draft shutter

To prevent air entry and limit heat leakage when the extractor is not operating. It opens due to the pressure of the air.



Window kit

Models V incorporate all accessories to mount within the glass.

MODEL FEATURES

| | S | SZ | T | TZ | R | RZ | HZ | C | CZ | CT | CTZ | CR | CRZ | ECZ | CHZ | VM | VMZ | 12V | 12VC |
|--------------------------------|---|----|---|----|---|----|----|---|----|----|-----|----|-----|-----|-----|----|-----|-----|------|
| NEON PILOT LIGHT | | | • | • | • | • | • | • | • | • | • | • | • | • | • | • | • | | • |
| FIXED PERIOD RUN-ON-TIMER | | | • | • | | | | | | • | • | | | | | | | | |
| ADJUSTABLE PERIOD RUN-ON-TIMER | | | | | • | • | | | | | | • | • | • | | | | * | * |
| AUTOMATIC SHUTTER | | | | | | | | • | • | • | • | • | • | • | • | • | • | | • |
| PHOTOELECTRIC CELL | | | | | | | | | | | | | | • | | | | | |
| ADJUSTABLE HUMIDISTAT | | | | | | | • | | | | | | | | • | | | | |
| ON/OFF PULL CORD SWITCH | | | | | | | • | | | | | | | | • | • | • | | |
| ADAPTATION FOR GLASS | | | | | | | | | | | | | | | | • | • | | |
| EXTERNAL FIXED SHUTTER | | | | | | | | | | | | | | | | • | • | | |
| EXTRA LOW SAFETY VOLTAGE | | | | | | | | | | | | | | | | | | • | • |
| MOTOR WITH BALL BEARINGS | | • | | • | | • | • | | • | | • | | • | • | • | | • | | |

* Adjustable Run-On-Timer between 1 and 30 using CT-12/14 T transformer.

TECHNICAL CHARACTERISTICS

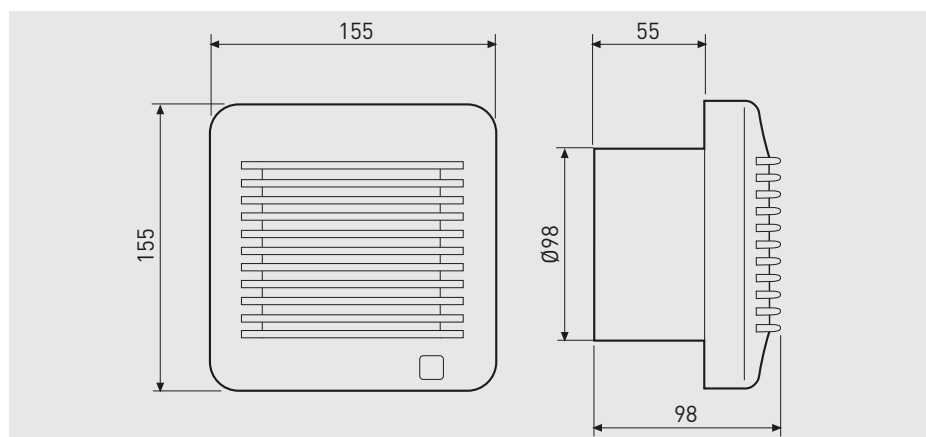
| Model | Speed (rpm) | Absorbed power at free discharge (W) | Voltage (V) 50 Hz | Sound pressure level* (dB(A)) | Airflow at free discharge (m³/h) | IP | Ø duct (mm) | Weight (kg) |
|--------------|-------------|--------------------------------------|-------------------|-------------------------------|----------------------------------|-------------------|-------------|-------------|
| EDM-100 | 2450 | 13*** | 230 | 40 | 95 | Class II / IP44** | 100 | 0,48 |
| EDM-100S 12V | 2100 | 7 | 12 | 37 | 85 | Class III / IP57 | 100 | 0,48 |
| EDM-100C 12V | 2100 | 11 | 12 | 37 | 85 | Class III / IP57 | 100 | 0,48 |

* Sound pressure level measured at 1,5 m at free air conditions.

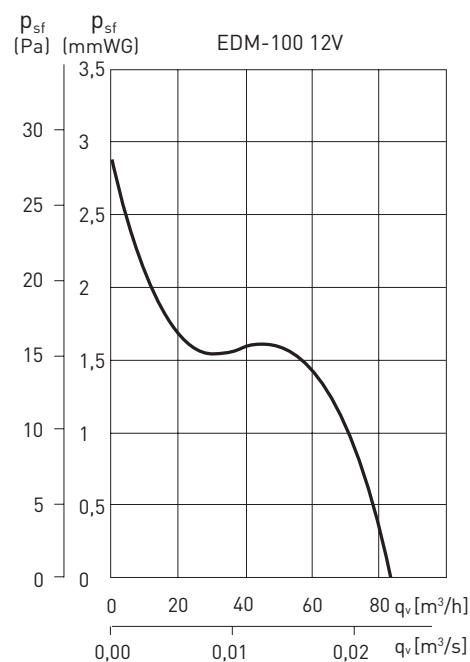
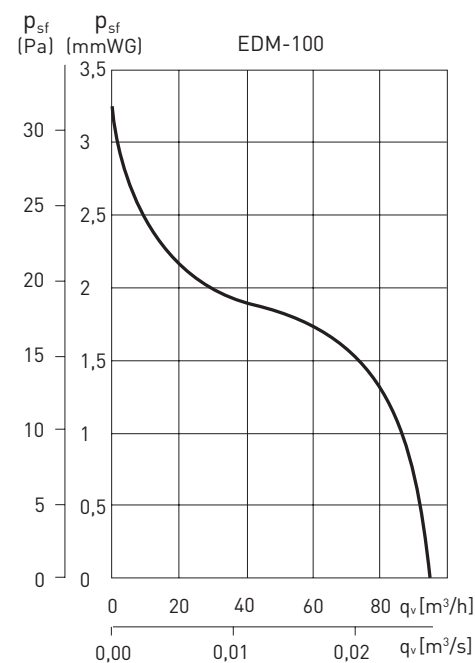
** H versions: IP30.

*** C versions: 17W.

DIMENSIONS (mm)



PERFORMANCE CURVES



EDM-100
Models low voltage



IP57

PROTECTION



Model SELV (Safety Extra Low Voltage). Specially designed to operate within the shower or bath volume with total safety. They are rated 12V, Class III and IP57.

EDM-100 12V must be wired to a safety isolating **transformer CT-12/14** which must be located out of the reach of the water spray or person using a bath or shower. The transformer is IP21, class II insulation and protected by fuse. Also available, **Transformer CT12/14 R**, supplied with adjustable run-on-timer between 1 to 30 minutes.

KITS EDM-100 12V + CT

Kit integrated by an extractor EDM-100 12V and a safety isolating transformer CT.

Versions:

- KIT EDM-100 S 12V + CT-12/14
- KIT EDM-100 S 12V + CT-12/14 R
- KIT EDM-100 C 12V + CT-12/14
- KIT EDM-100 C 12V + CT-12/14 R

ACCESSORIES



GSA-M0 100
Flexible aluminium ducting.



GRA-75
Aluminium exterior grille.



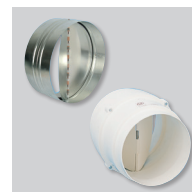
FIXED SHUTTER AND TELESCOPIC DUCT
(200 to 420 mm).



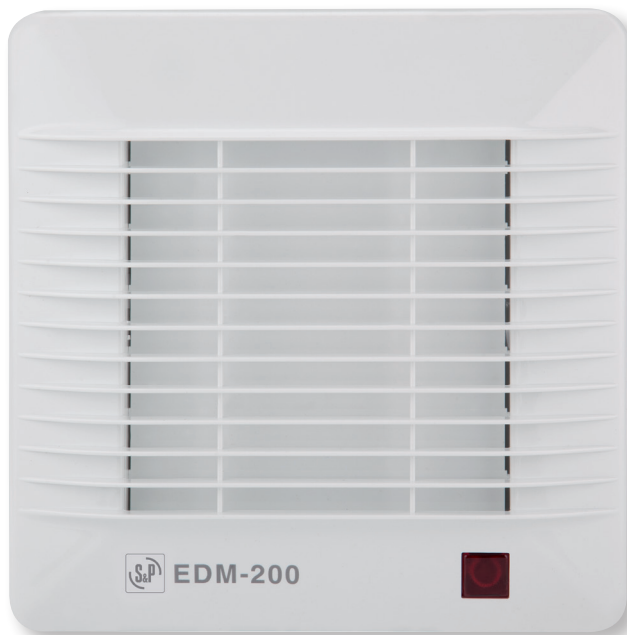
CX-80/125
Worm drive ducting clip.



PER-100W
Back draft shutter.



CAR-100
CM-130
Back draft shutters.



EDM-200 C

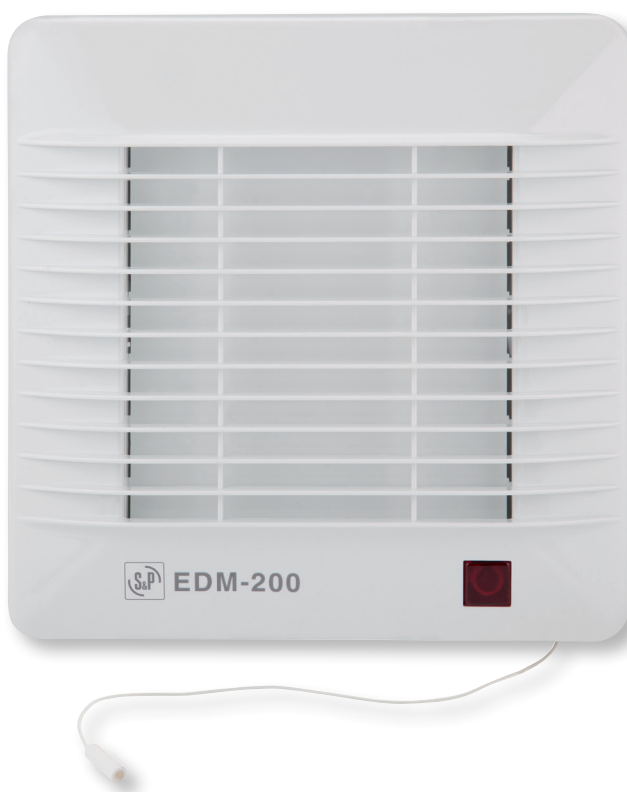
Range of axial extractors with airflow rates of 180 m³/h, for connection to 120 mm diameter circular ducting.

All the fans are manufactured from injection moulded plastic, fitted with neon light indicator and single phase 230V-50Hz, class B motor equipped with overload thermal protection. The "Z" versions incorporate long life motors fitted with ball bearings. All the fans are class II insulation, IP44 rated (1) and suitable to operate with air temperature up to 40°C.

(1) H versions: IP40



Models C fitted with back draft shutter



EDM-200 CH

MODEL FEATURES

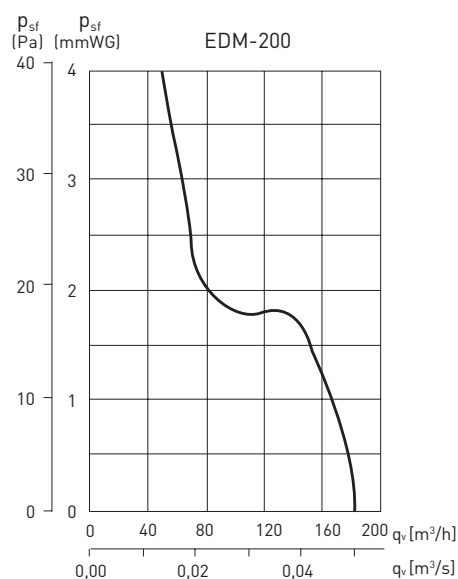
| | S | SZ | C | CZ | CR | CH | CHZ |
|--------------------------------|---|----|---|----|----|----|-----|
| NEON PILOT LIGHT | ● | ● | ● | ● | ● | ● | ● |
| FIXED PERIOD RUN-ON-TIMER | | | | | | | |
| ADJUSTABLE PERIOD RUN-ON-TIMER | | | | | ● | | |
| AUTOMATIC SHUTTER | | | ● | ● | ● | ● | ● |
| ADJUSTABLE HUMIDISTAT | | | | | | ● | ● |
| ON/OFF PULL CORD SWITCH | | | | | | ● | ● |
| MOTOR WITH BALL BEARINGS | | ● | | ● | | | ● |

TECHNICAL CHARACTERISTICS

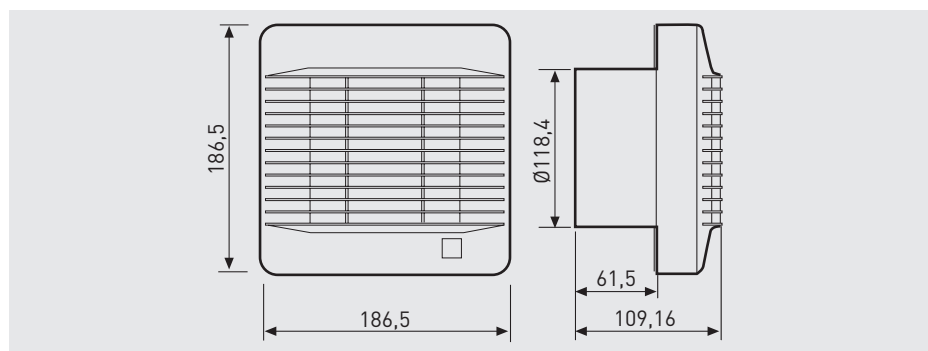
| Model | Speed (rpm) | Absorbed power at free discharge (W) | Voltage (V) 50 Hz | Sound pressure level* (dB(A)) | Airflow at free discharge (m ³ /h) | IP | Ø duct (mm) | Weight (kg) |
|---------|-------------|--------------------------------------|-------------------|-------------------------------|---|-----------------|-------------|-------------|
| EDM-200 | 2500 | 25 | 230 | 42 | 180 | Class II / IP44 | 120 | 0,9 |

* Sound pressure level measured at 1,5 m at free air conditions.

PERFORMANCE CURVE



DIMENSIONS (mm)



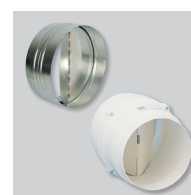
ACCESSORIES



GSA-M0 125
Flexible aluminium ducting.



GRA-100
Aluminium exterior grille.



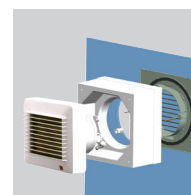
CAR-100
CM-130
Back draft shutter.



CX-125/215
Worm drive ducting clip.



PER-125W
Back draft shutter.



WINDOW KIT 200
Accessory to allow EDM-200 in a window.