



ENG

CADS FLEXEO 210

Installation Manual



1 General information

1.1 Guarantee and Civil liability

Guarantee

The CADS FLEXEO heat recovery unit is guaranteed for three years from the date of purchase. This guarantee includes free supply of spare parts.

This guarantee does not cover:

Assembly and disassembly expenses

Any breakdowns which according to Soler & Palau are due to poor installation, manipulation, negligence or accident.

Any breakdowns occurring after manipulation or repair by third parties without the authorisation of Soler & Palau.

To return a faulty part, the user should first contact the installer.

Civil liability

The CADS FLEXEO has been designed for ventilation systems that enable the renewal of air in private homes. Soler & Palau will not be held liable for damage produced by:

- Misuse,
- Normal wear and tear of components,
- Non-observance of the instructions contained in this manual regarding safety, use and start-up,
- The use of components not supplied by Soler & Palau.

1.2 Safety

General safety rules

After installation, there should be no safety, health or environmental hazards, in compliance with EC regulations. This is also valid for the rest of the products used in the installation.

The following general instructions are important:

- Follow the safety instructions to avoid any damage to the fans or harm to people.
- The technical characteristics of this manual must not be modified.
- Always use the right tools.
- Only use the device for the purpose it was designed for.



2 Technical information

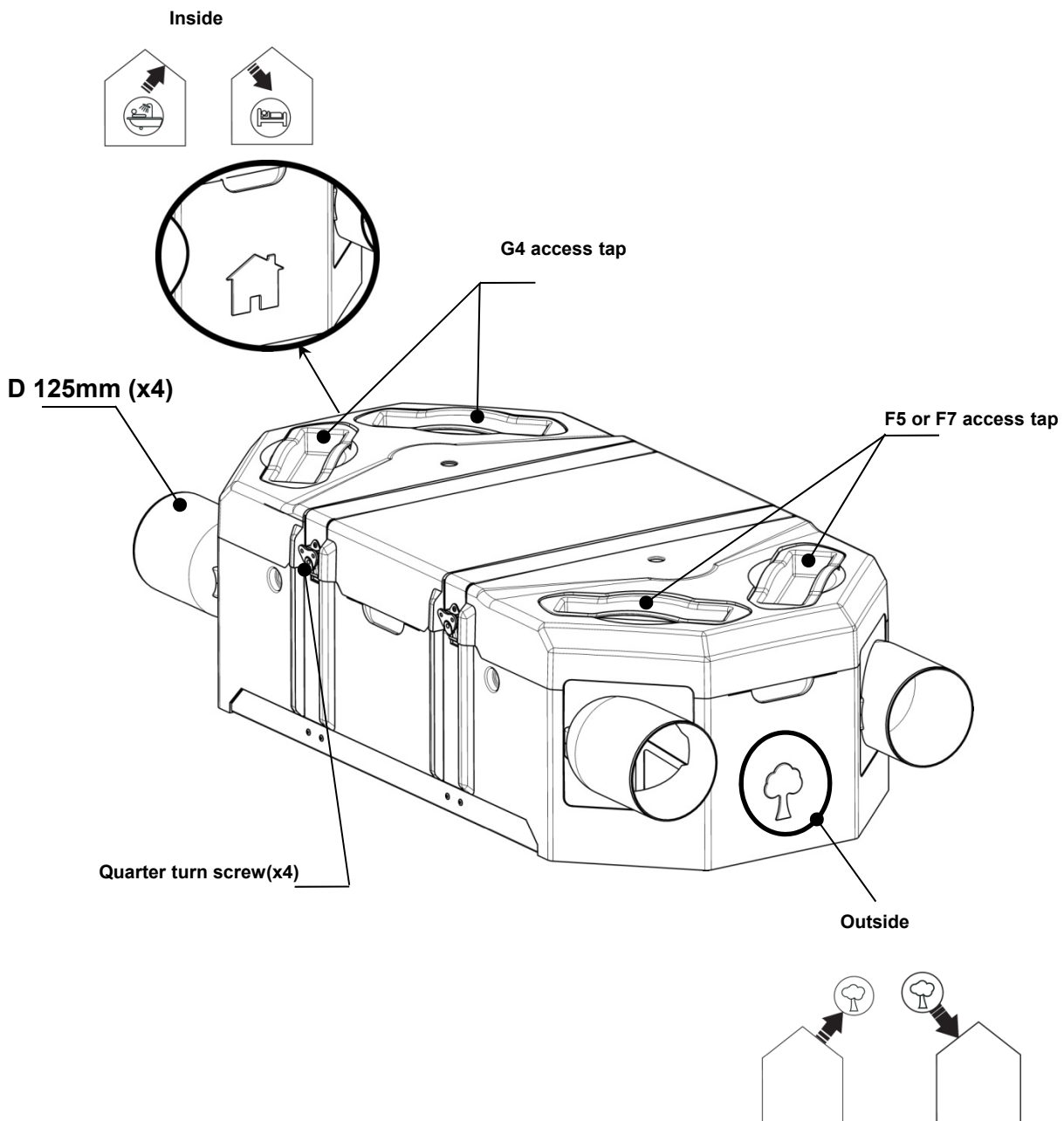
2.1 General definition

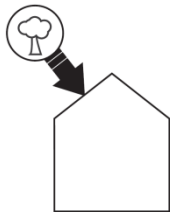
The CADS FLEXEO provides optimum ventilation for a room with a minimum loss of energy. It extracts air from spaces such as (Bathroom/s, WC, kitchen and washroom/s or shower room/s, and supplies fresh air into the main rooms (Living rooms, bedroom/s, office, ...). In case of offices application, the extract air and the supply fresh air could be introduced in the room.

The fresh and extracted airflows are separated and filtered. Only the energy from the extracted air is transferred to the new fresh air introduced. Due to the high efficiency exchanger of the CADS FLEXEO the performance can reach 96%.

Avoiding the heat exchanger, the 100% system bypass of the CADS FLEXEO allows the introduction of fresh air at night without it being heated by contact with hot air accumulated in the house during the day (Optional). This system operates automatically or can be forced manually .


2.2 Description of the CADS FLEXEO





New fresh air inlet :

On this spigot is connected the outside air inlet.
Be sure to position the fresh air intake (wall or roof) at a sufficient distance from any area with high pollution (Tree, rejection combustor, road, ...).

This duct should be thermally insulated and sealed to prevent condensation on the outside and inside the duct. 



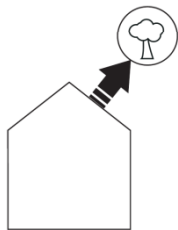
Supply fresh air into the building:

On this spigot is connected the air intake duct to the property.
To avoid thermal losses, it is recommended to use insulated ducts and fitting them into the warmed volume.




Extract air from the building:

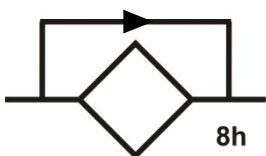
On this spigot is connected the extract duct from the property.
To avoid thermal losses and optimize the performance of the installation, it is recommended to use insulated ducts and fitting them into the warmed volume.



Discharge of extract air:

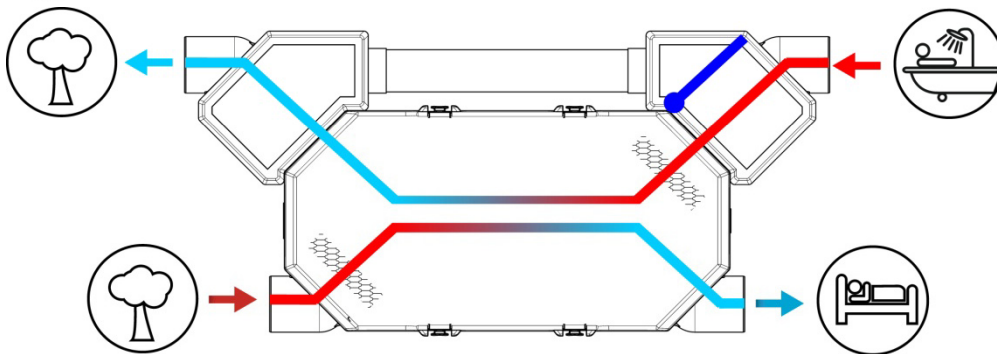
On this spigot is connected the discharge duct to the outside.

This duct should be thermally insulated and sealed to prevent condensation on the outside and inside the duct. 

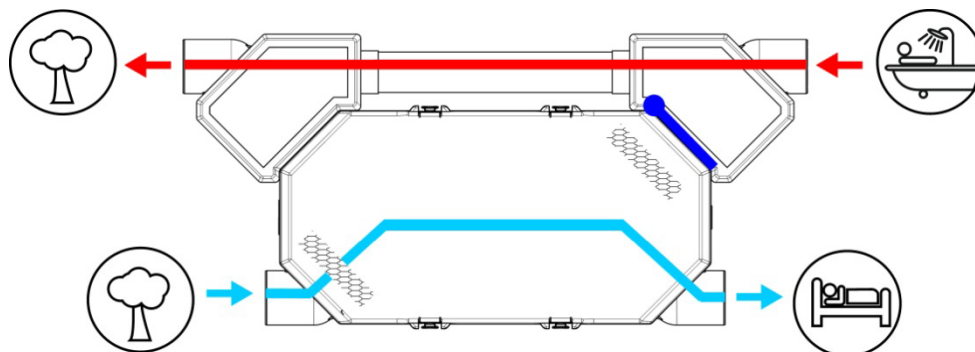


By-pass (Optional):

On having avoided the heat exchanger, the 100 % by-pass system of the CADS FLEXEO allows the introduction of the fresh air in the night without being warmed by the warm air accumulated in the house during the day.



Without By-pass

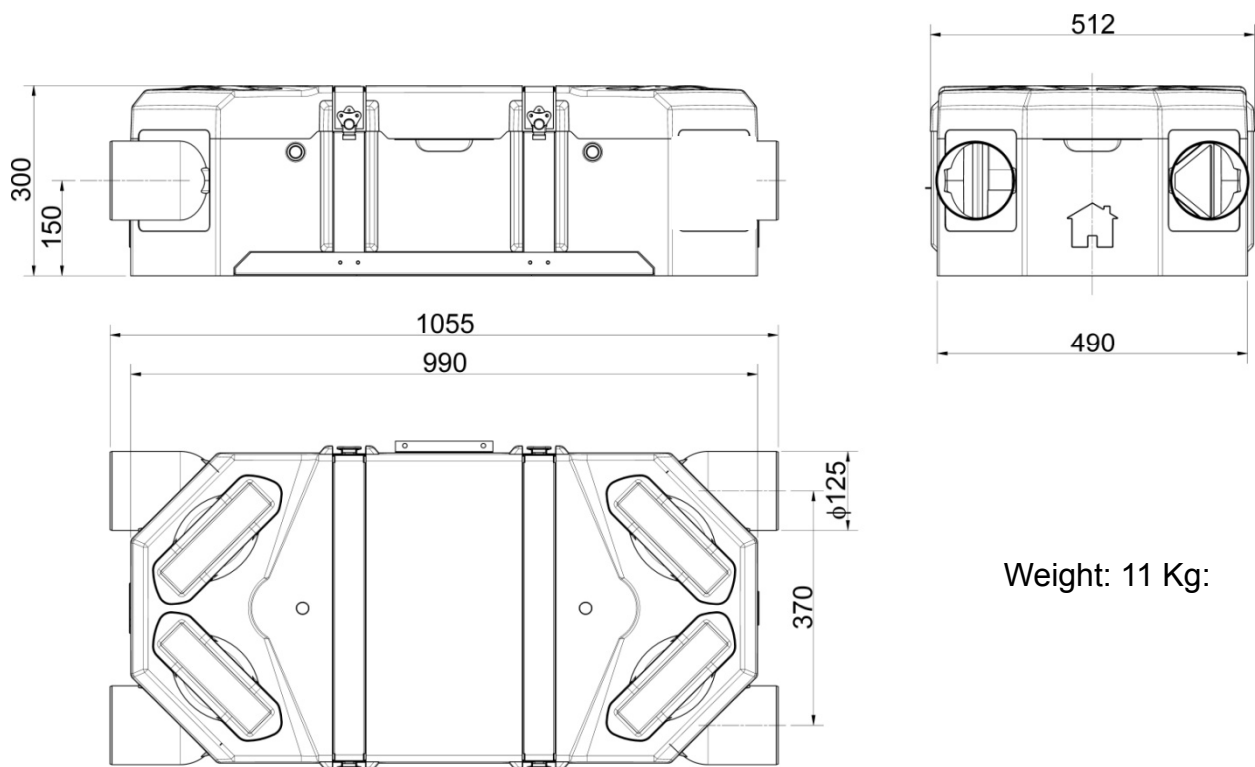


With By-pass



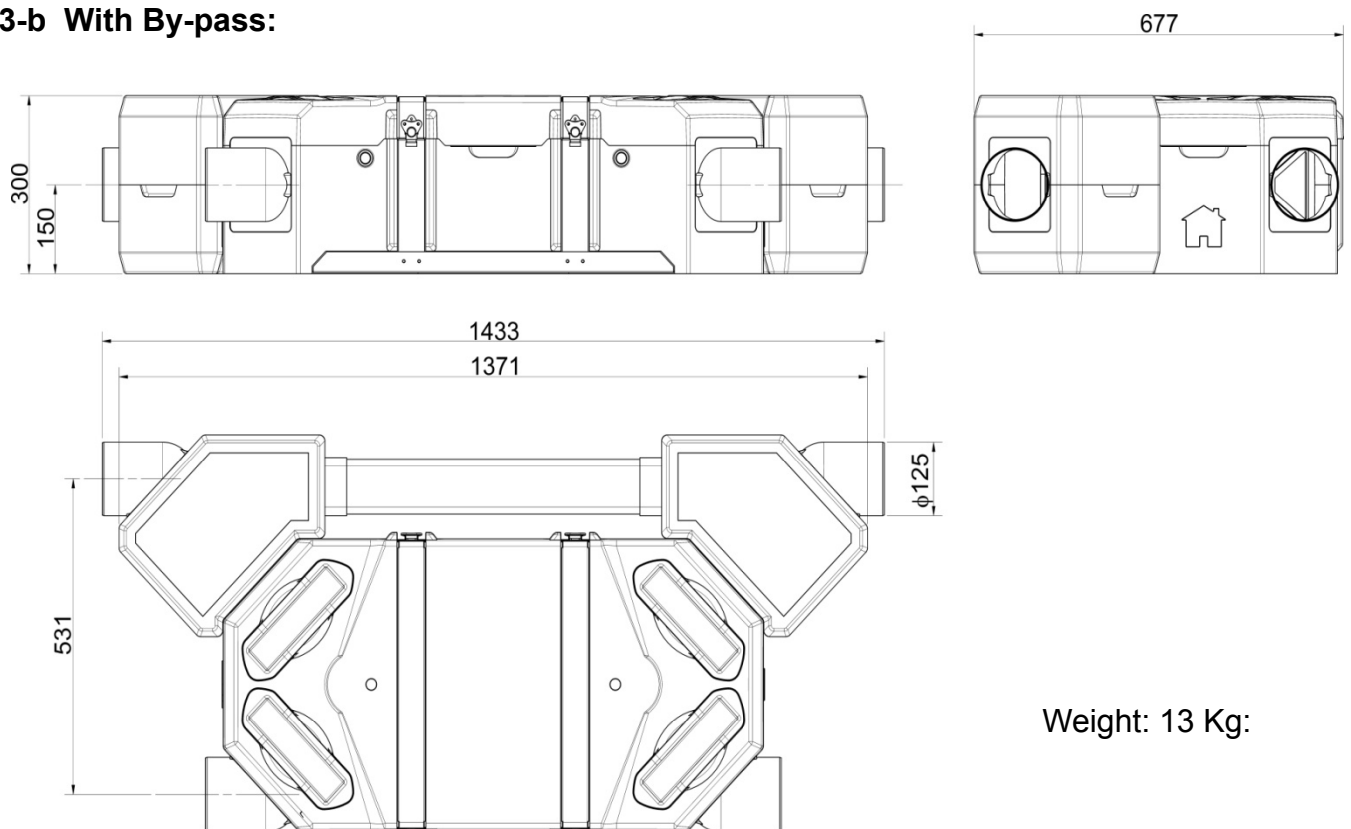
2.3 Dimensional characteristics:

2.3-a Without By-pass:



Weight: 11 Kg:

2.3-b With By-pass:



Weight: 13 Kg:

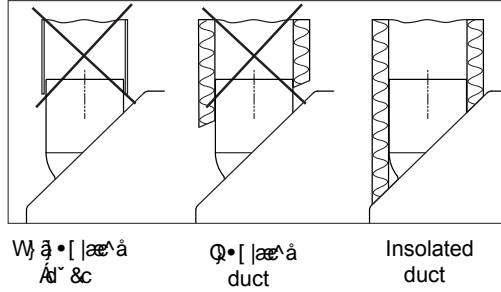


3 Installation

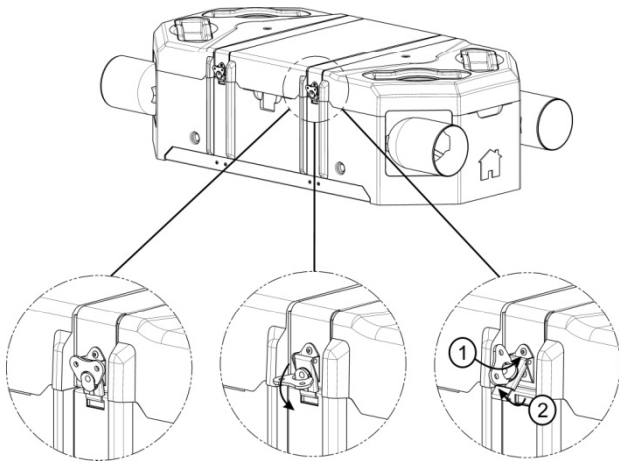
3.1 General requirements:



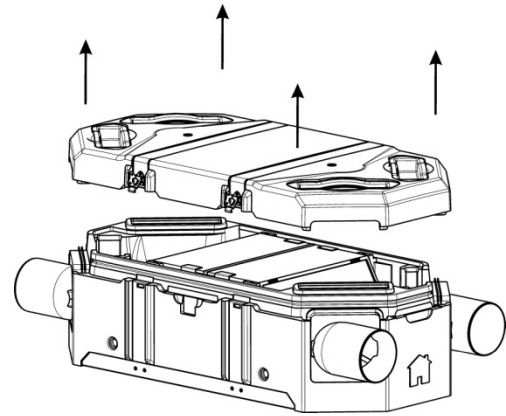
- Only the fitting possibilities are described on this manual.
- The installation instructions are available with or without by-pass.
- It is recommended to install the CADS FLEXEO into the warmed house space. Otherwise, it's essential to isolate the condensate drain device.
- Ducts should be insulated and connected perfectly. The insulation must completely cover the spigot as below.



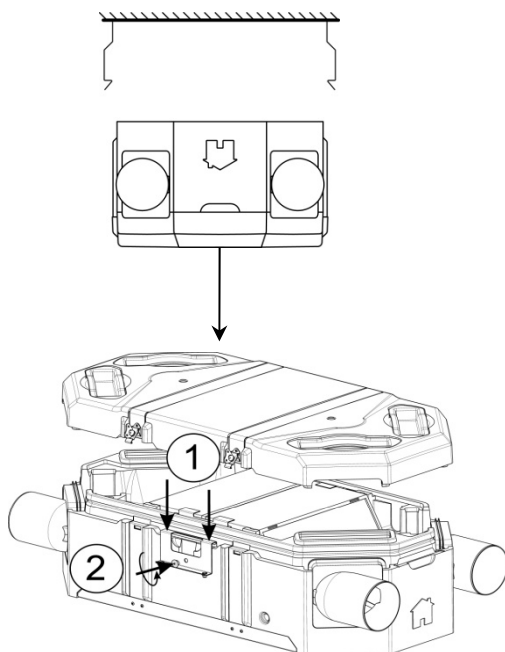
3.2 Fitting:



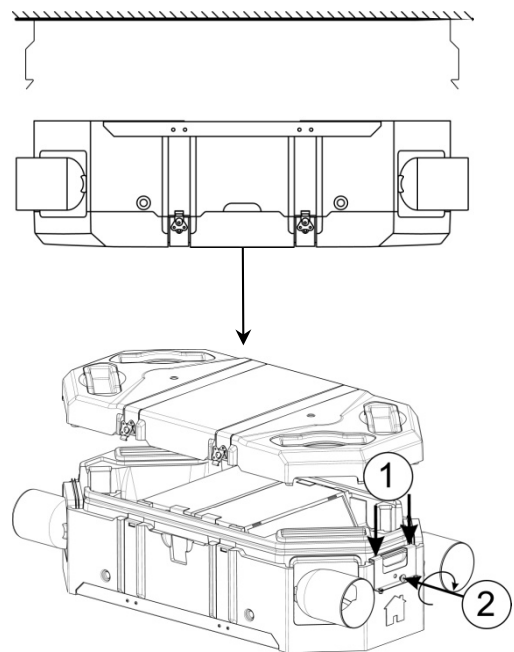
-1-

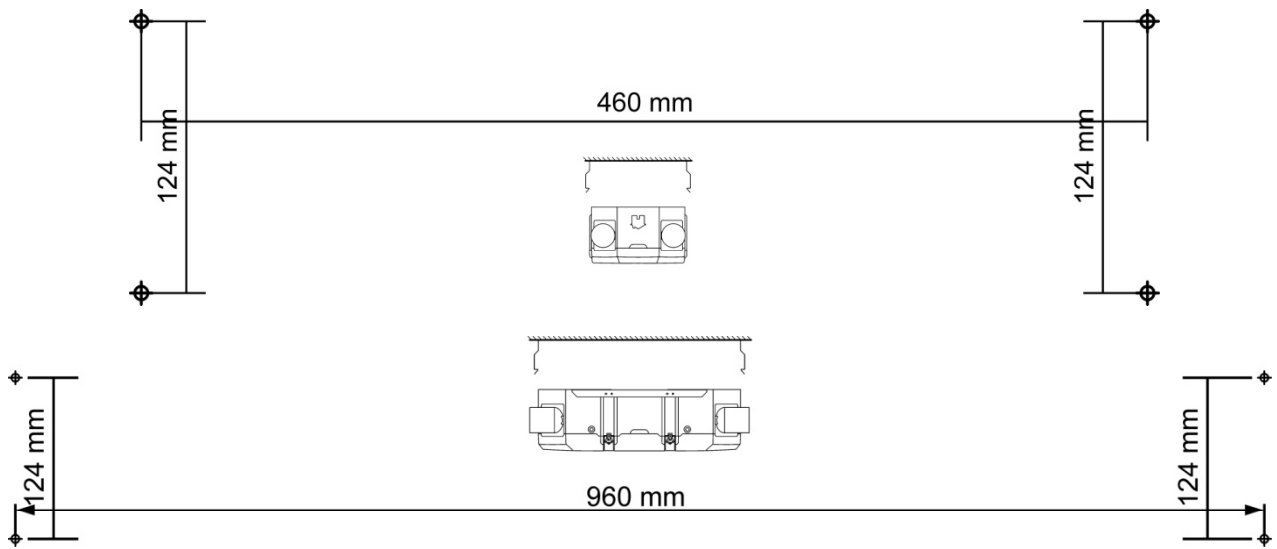


-2-



-3-

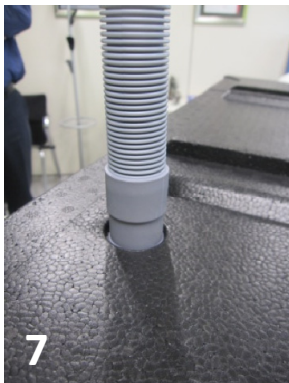
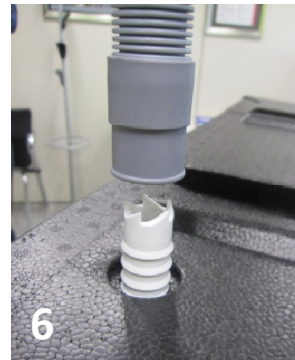
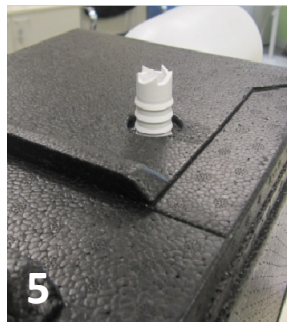
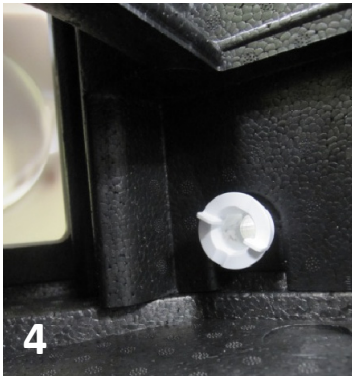
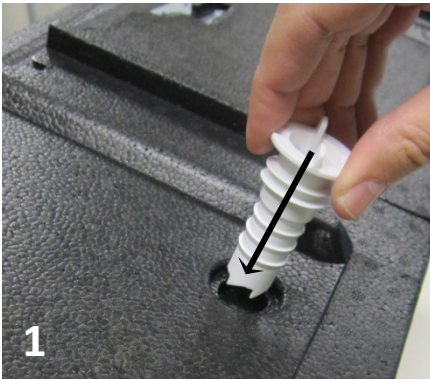




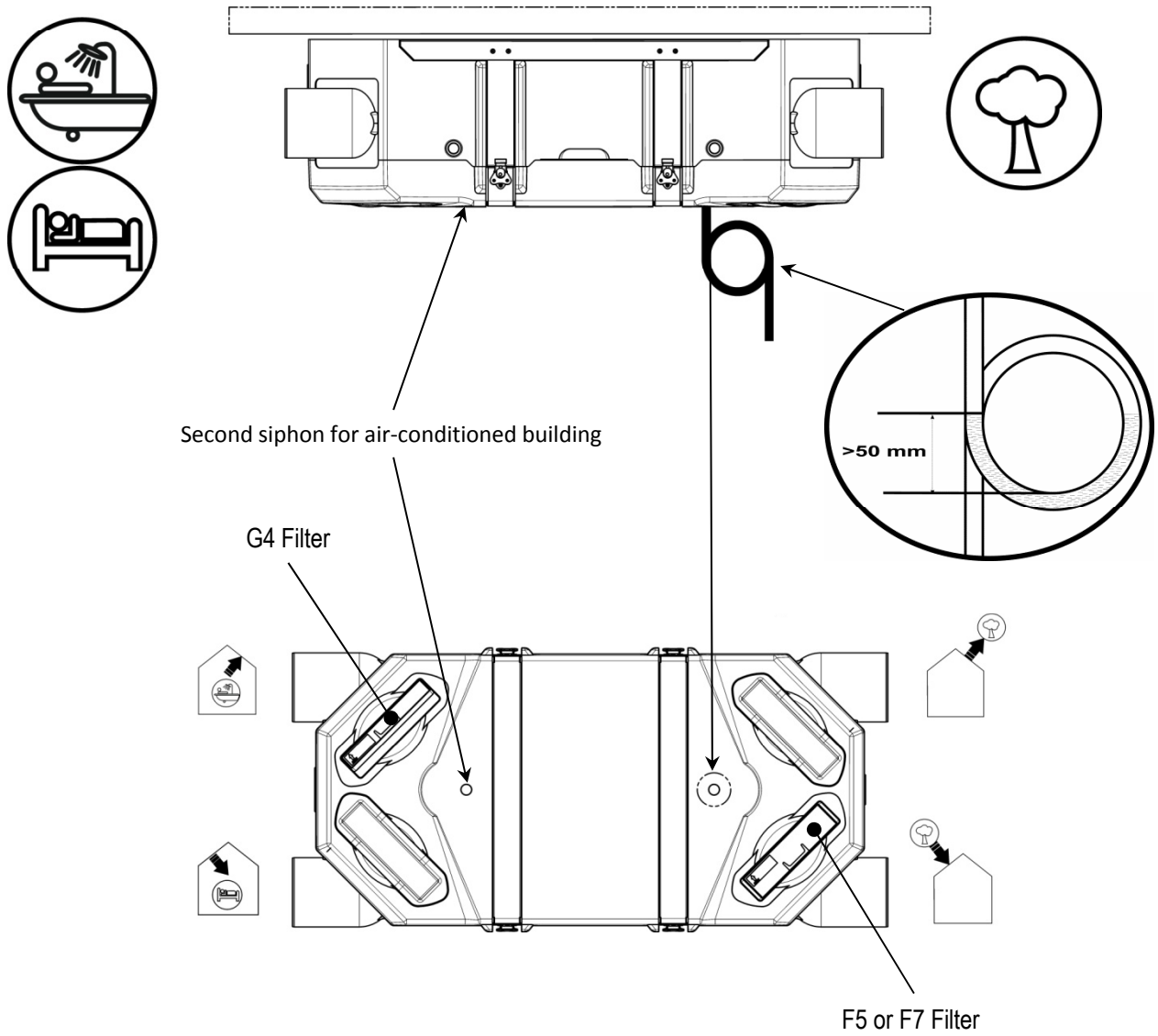
-4-

Use the template on the packaging

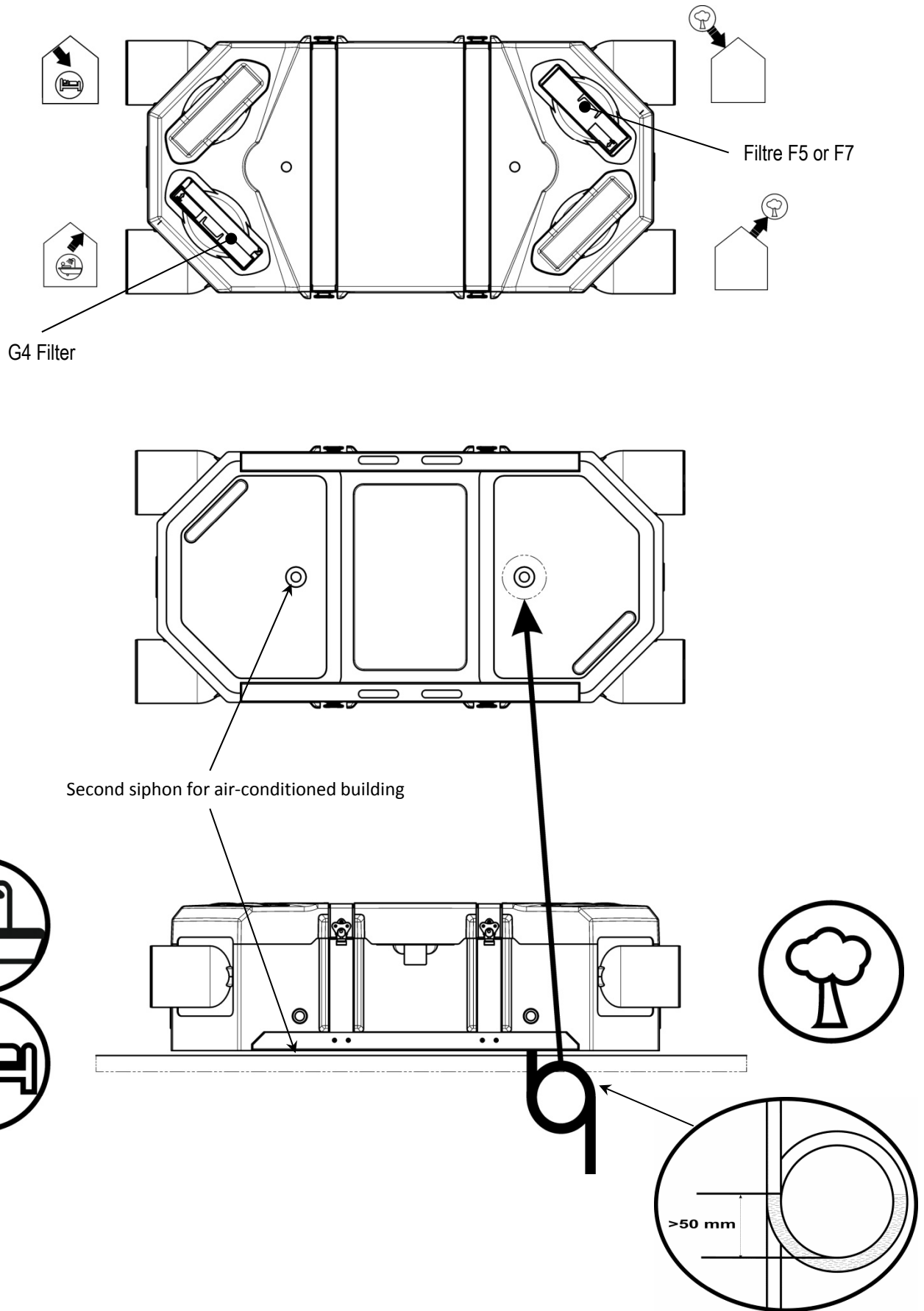
3.3 Installation and connection of the drain device:



3.4 Ceiling mounting:

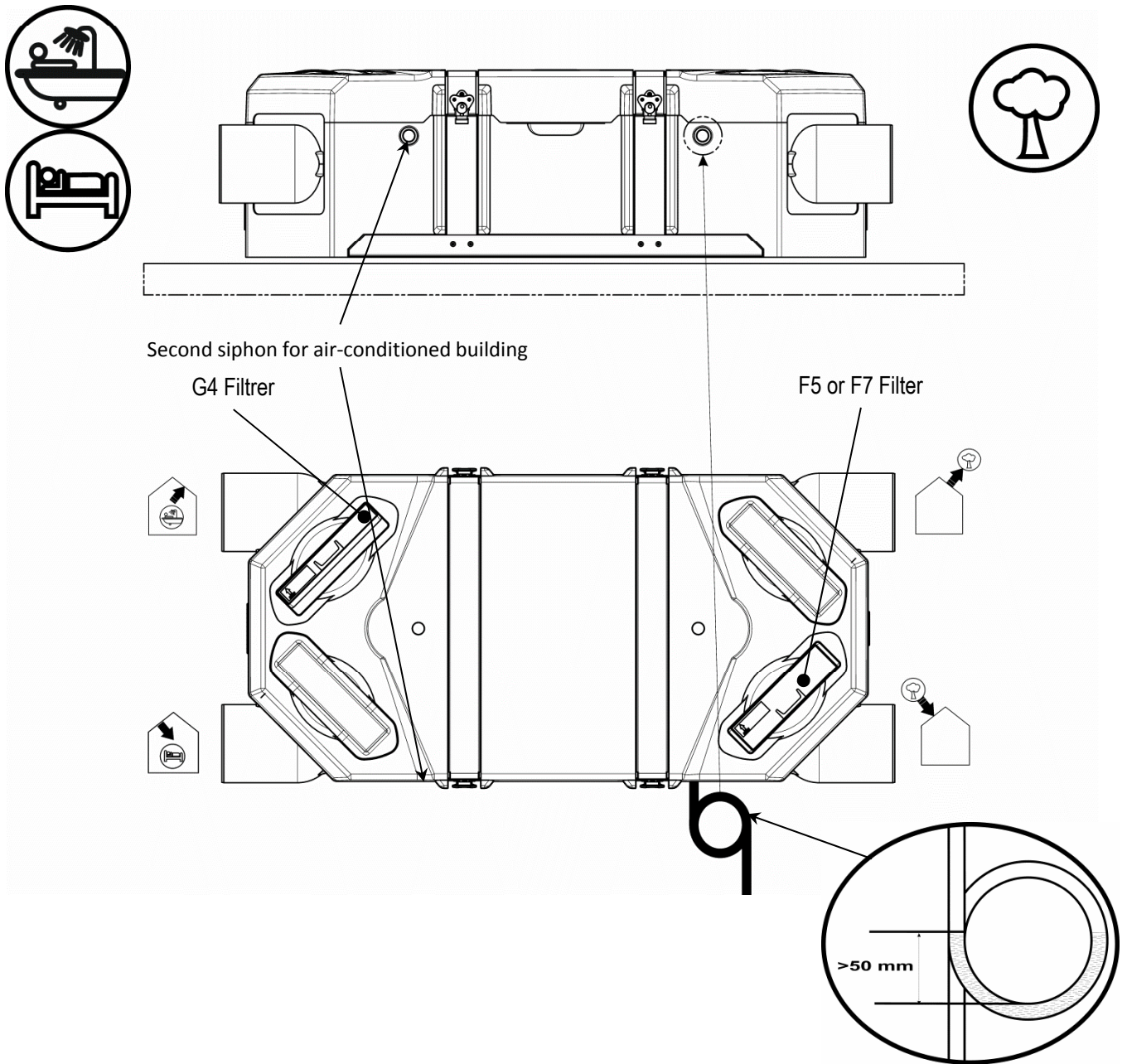


3.5 On the floor:

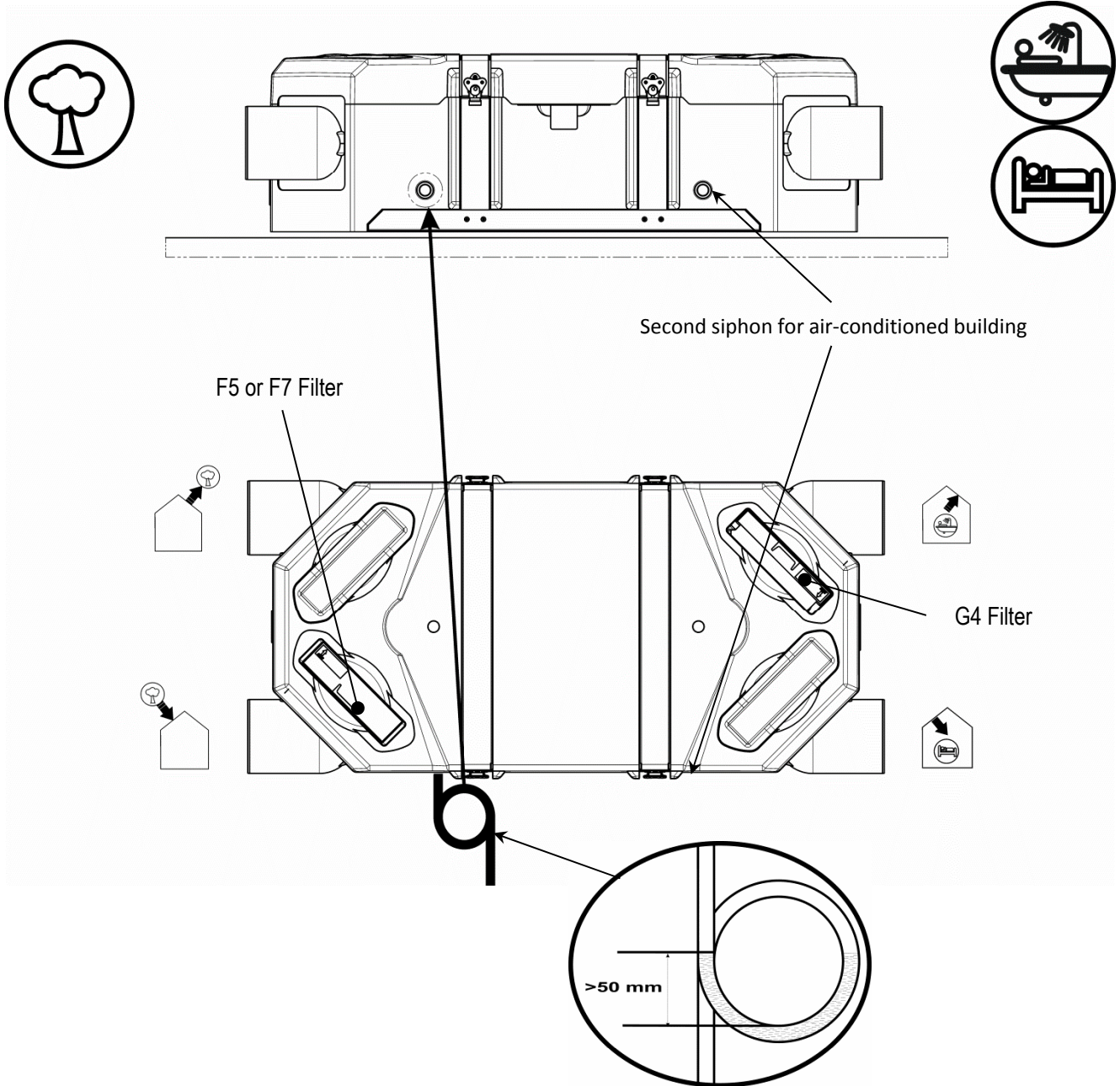


3.6 On the wall horizontal mounting:

3.6-a Fresh intake air on the right:

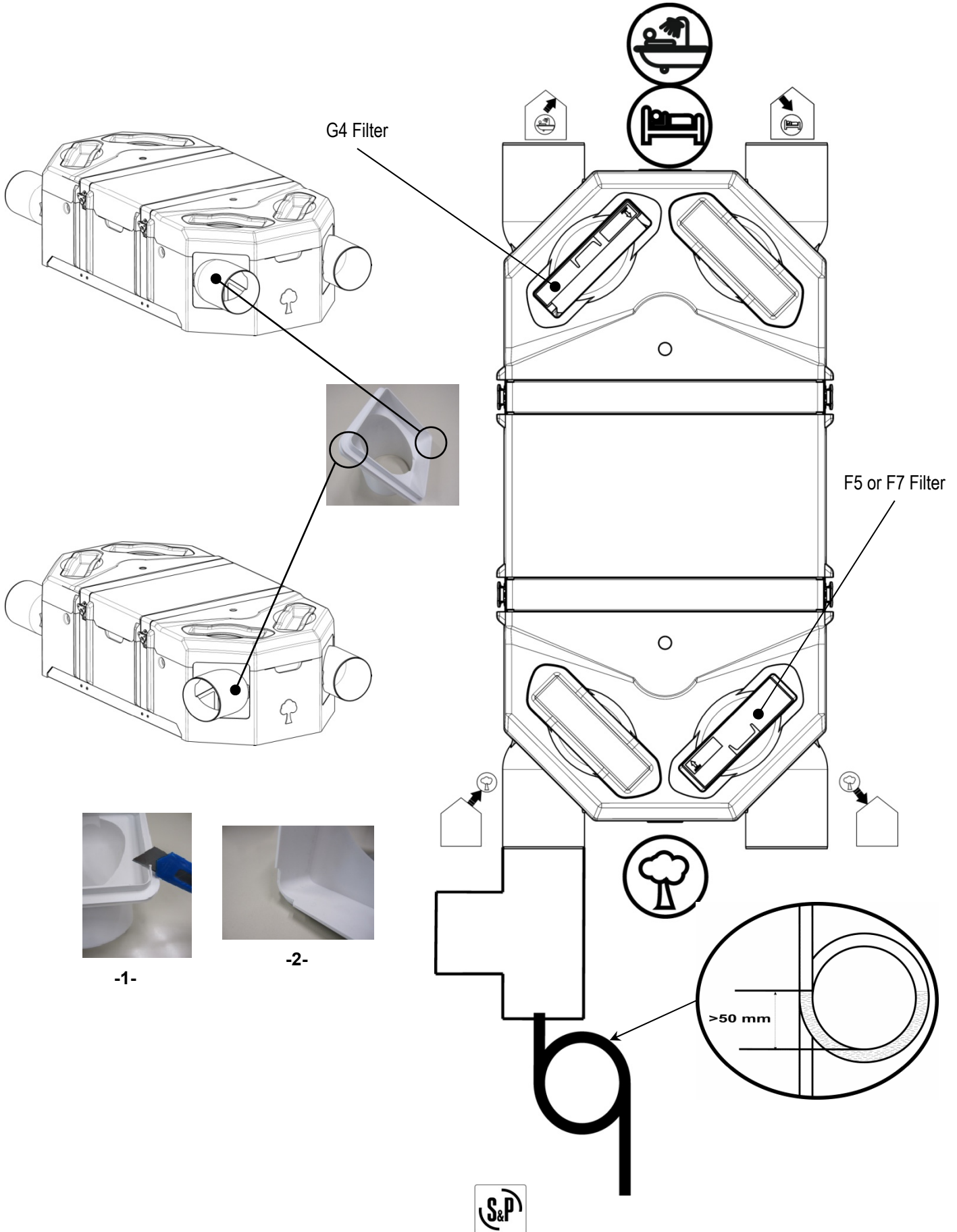


3.6-b Fresh intake air on the left:

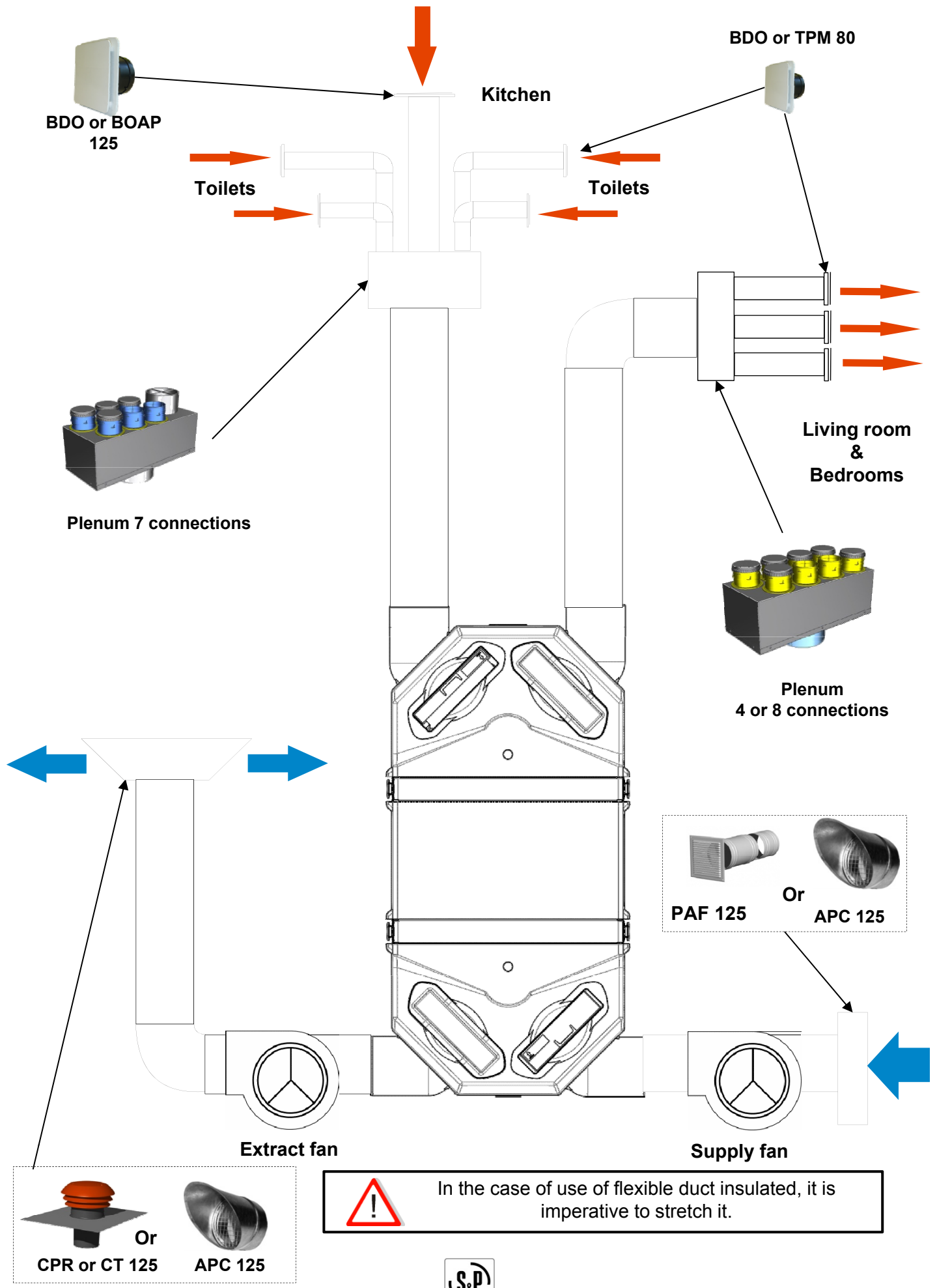


3.7 On the wall – Vertical mounting – Fresh intake air on the right:

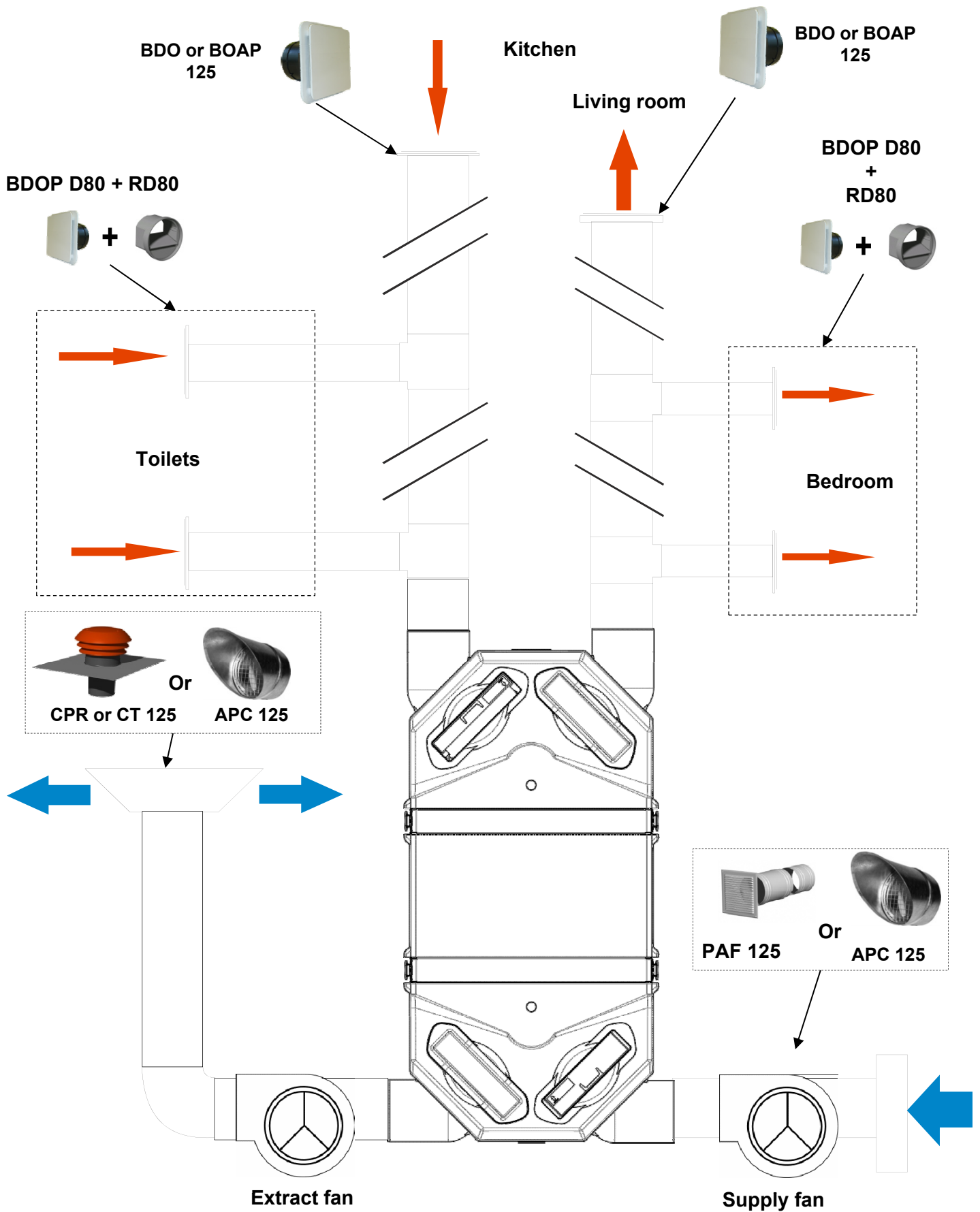
 Not allowed assembly in an air conditioned building




3.8 Example of fitting "SPLIT" type:



3.9 Example of fitting "DISTRIBUTION" TYPE:

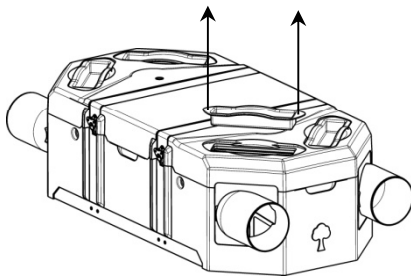


 In the case of use of flexible duct insulated, it is imperative to stretch it.

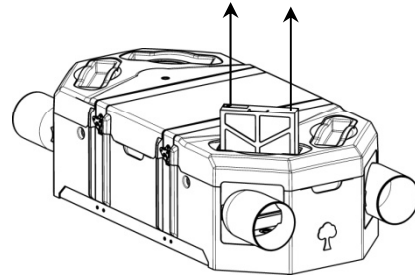
4 Maintenance

4.1 Changing filters:

Check, clean or change if necessary filters each 6 months.



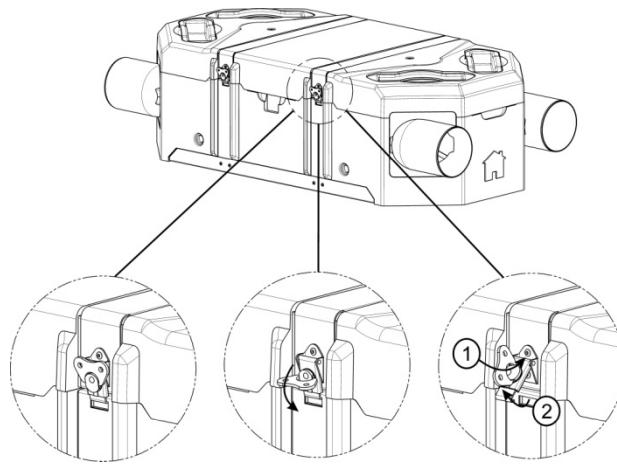
-1-



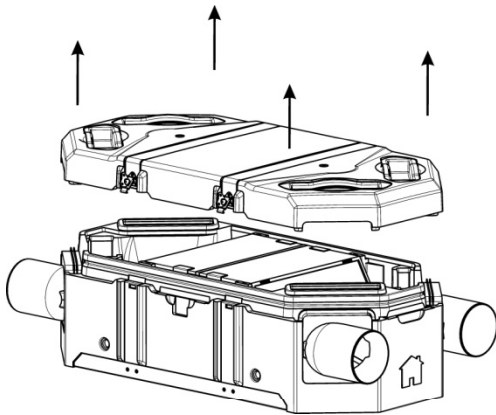
-2-

4.2 Cleaning/Removing heat exchanger:

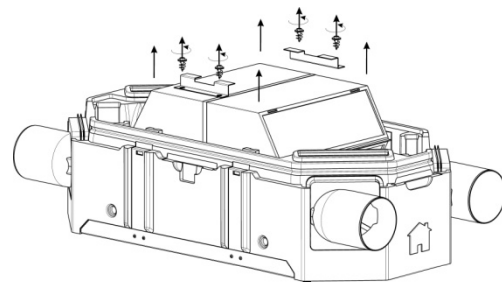
Check and clean if necessary the heat exchanger each 5 years.



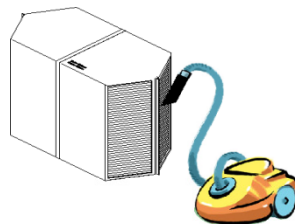
-1-



-2-



-3-



- 4 -

Use a domestic vacuum to aspirate the 4 sides of the heat exchanger.

Ref. 9023030600



S&P SISTEMAS DE VENTILACIÓN S.L.U.

C/ Llevant, 4

08150 Parets del Vallès (Barcelona)

Tel. +34 93 571 93 00

Fax +34 93 571 93 01

www.solerpalau.com

Soler&Palau 
Ventilation Group

