



ORKA HR D150



This appliance can be used by children aged from 8 years and above and persons with reduced physical, sensory or mental capabilities or lack of experience and knowledge if they have been given supervision or instruction concerning use of the appliance in a safe way and understand the hazards involved. Children shall not play with the appliance. Cleaning and user maintenance shall not be made by children without supervision.



CONTENTS

1. General information
2. Technical information
3. Installation
4. Characteristics and electrical connections
5. Control of ORKA
6. Commissioning the ORKA
7. Maintenance
8. Putting out of service and recycling
9. ECODESIGN technical sheet

The following items are included:

1. 1 x ORKA HR D150
2. 1 x remote control
3. 1 x condensate drain tube + support
4. 3 x positioning accessories
5. 3 x reductions \varnothing 125/160
6. 1 x plug 125mm
7. 1 x instruction manual

1. GENERAL INFORMATION

1.1. INTRODUCTION

This manual is intended for the use of the central balanced-flow high efficiency ORKA HR D150 and its peripherals (ductwork, vents, controllers).

It is designed to provide clear and safe guidance for the design, installation and use of the product.

The products are constantly evolving and so, Soler & Palau reserves the right to modify this manual without prior notice.

1.2. WARRANTY AND LIABILITY

Warranty

The ORKA HR D150 heat recovery system has two years warranty from the date of purchase. This warranty includes free delivery of necessary spare parts.

The warranty does not cover:

Installation and removal costs.

Defects that, in the opinion of Soler & Palau, are due to improper installation, handling, neglect or accidental damage. Those defects that arise as a result from operations or repair performed by a third party without permission from Soler & Palau.

To return a defective part, the user should contact their installer.

Liability

ORKA HR D150 is designed for ventilation systems in individual dwellings. Soler & Palau is not responsible for damage caused by:

- Improper use.
- Normal wear of components.
- Failure to follow the instructions in this manual concerning safety, use and installation.
- The use of parts not supplied by Soler & Palau.

1.3. SAFETY

General health and safety standards

The heat exchanger ORKA HR D150 has been designed to be incorporated into a ventilation system. Following installation, there should be no risk to safety, health and the environment according to EC directives. This also applies to other products used in the installation. The following general guidelines are important:

- Follow the safety instructions to prevent injuries and damage to the motorised fans.
- The technical characteristics described in this manual may not be changed.
- The motorised fans must not be modified.
- The motorised fans must be supplied with a single phase AC supply of 230 V / 50 Hz.
- So that the installation complies with EC directives, the ORKA HR D150 must be connected to the electricity grid according to current national standards.
- The device must be installed so that under normal operating conditions, there is no risk of contact with moving parts and power.
- The ORKA HR D150 meets legal requirements for electrical equipment.
- Before working on the machine, always turn the power off.
- Use appropriate tools.
- Use the machine only for the purpose for which it is intended.

2. GENERAL INFORMATION

2.1. INTRODUCTION

ORKA ensures optimal ventilation of the house with maximum energy recovery. Stale air is extracted from the “wet” rooms (bathrooms, toilets, laundry rooms, etc.) and fresh air is supplied into the main “habitable” rooms (living room, bedrooms,studys,...).

Both airflows are filtered before forwarding to the heat recovery unit, where warmth from the stale, outgoing air is transferred to the cooler incoming airflow. The unit performance can reach:

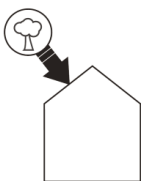
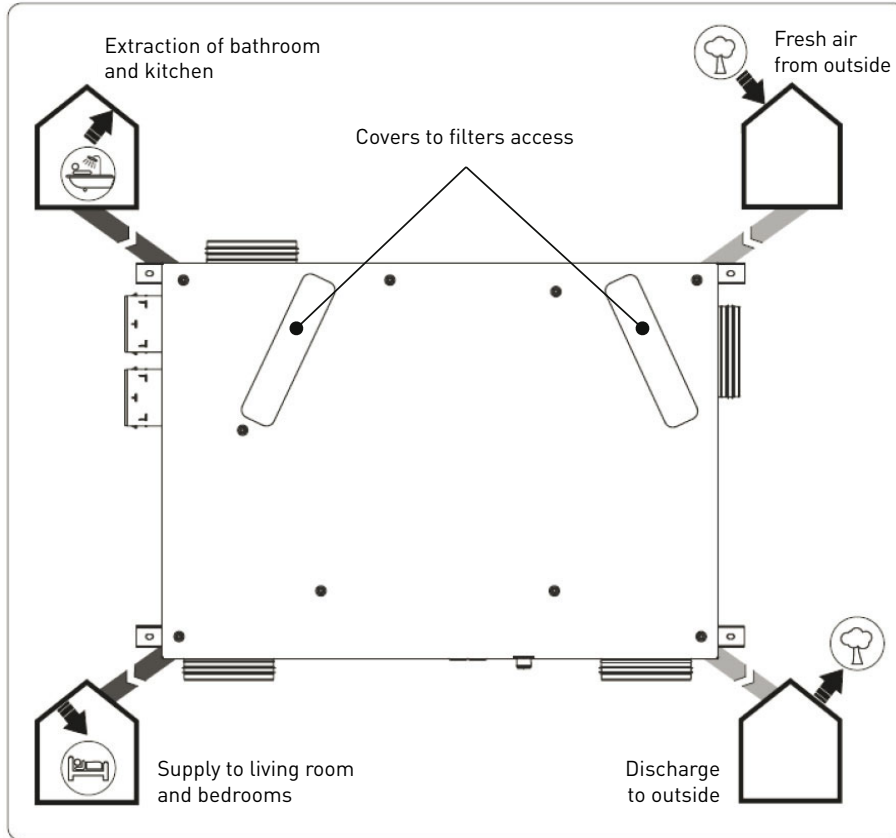
- HR: 92%
- ST:70%

In this exchange, water is generated due to condensation forming as the warm outgoing air rapidly cools. It is essential that this water is properly drained away from the unit via the supplied condensate drain pipe.

ORKA has a 100% bypass that allows fresh air from outside to be introduced directly, without receiving the heat energy from the extraction air, generating free cooling. It is a manual activation.

2.2. DESCRIPTION

- HR and ST: Extraction: 4 spigots d.80 +spigot d.125.
- HR D150 and STD150: extraction: 1 spigot d.150 and 1 spigot d.125.
- The rest of connections: 3 x d.125 (adapter 125/150-160 supplied for each spigot).



New fresh air inlet:

This spigot is to connect the supply duct of fresh air from outside. Install the fresh air intake (wall or roof) a sufficient distance from any area of high pollution (trees, exhaust fumes, road, etc). To avoid short-circuiting, the terminal should also be positioned a minimum of 1.5m from the discharge air outlet.

This duct must be sealed and insulated to prevent condensation on the outside and inside.



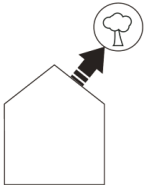
Supply fresh air into the building:

Connected to the air intake duct in the property. To avoid thermal losses, it is recommended to use insulated ducts for the warmed air.



Extract air from the building:

Connected to the extract duct from the property. To avoid thermal losses and optimise the performance of the installation, it is recommended to use insulated ducts for the warm air.



Discharge of extract air:

Connected to the discharge duct to the outside.

This duct must be well sealed and thermally insulated to avoid condensation both on the inside and outside.



By-pass:

The 100% by-pass system of the ORKA allows the introduction of cooler fresh air (during the evenings and in the night) avoiding the heat exchanger and thus without it being tempered by the outgoing warm air which has accumulated in the house during the day.

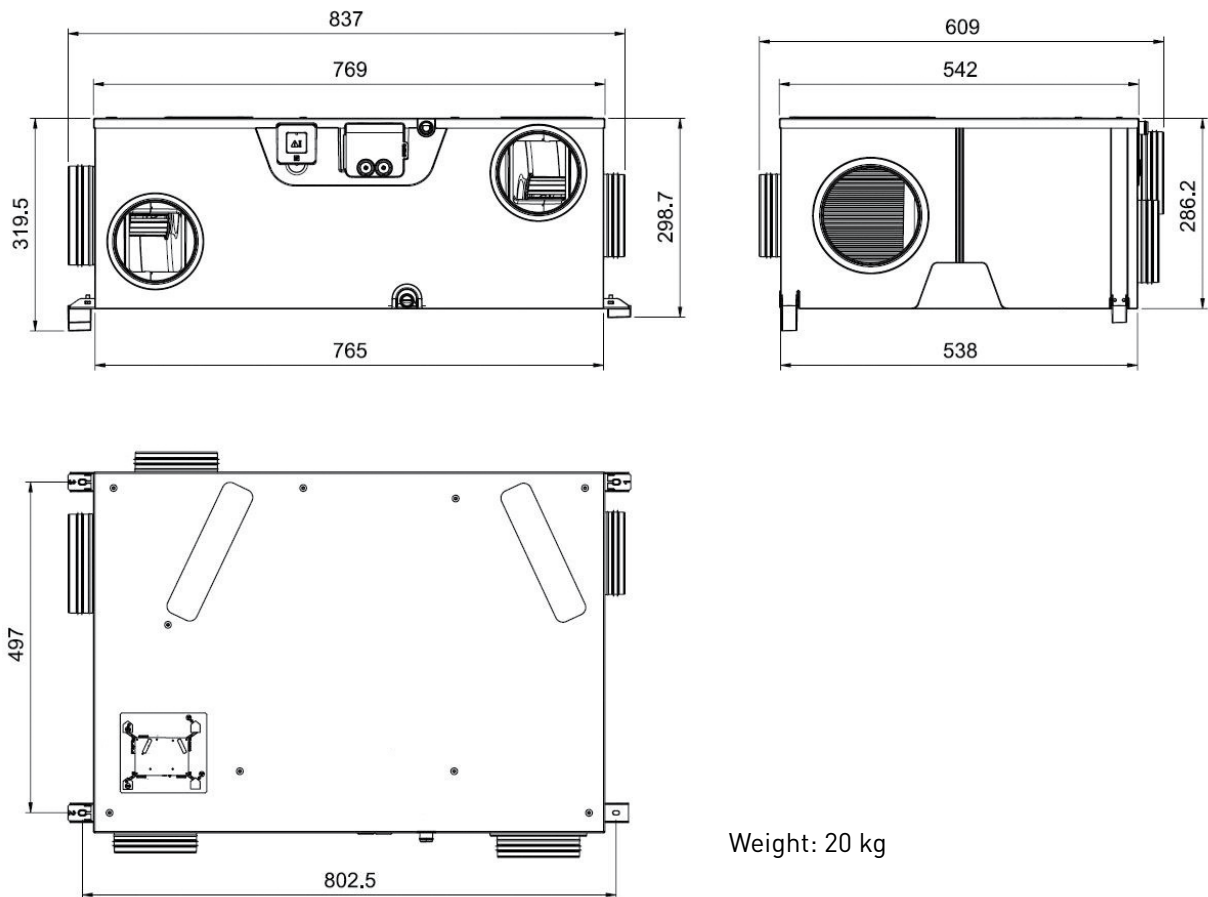


Alarm filter change:

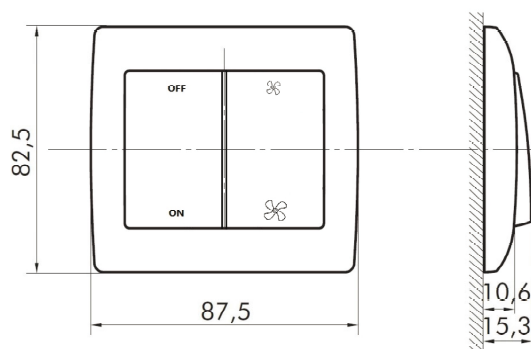
the unit has a timer "12 months TIMER" that alerts the user when to change the filters.

2.3. DIMENSIONAL CHARACTERISTICS

2.3a. Central



2.3b. Remote control



3. INSTALLATION



The equipment must be installed in a heated room in the home (>10°C) if this is not possible, the condensate outlet must be thermally isolated



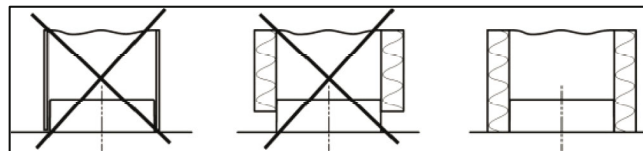
In areas that regularly have negative temperatures (<-2°C) a pre-heating battery must be installed. Operating temperature (<-2°C, 45°C)



Ducts must be thermally insulated and correctly installed.



ORKA has been designed to be installed indoors.

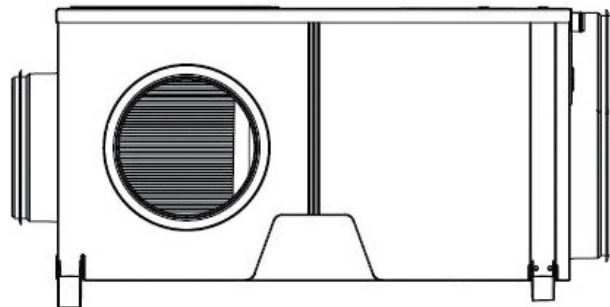


Uninsulated duct

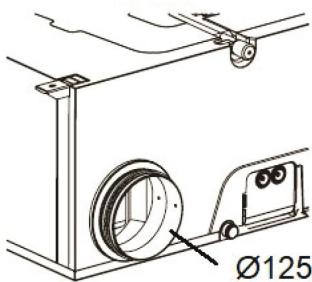
Insulated duct

Insulated duct

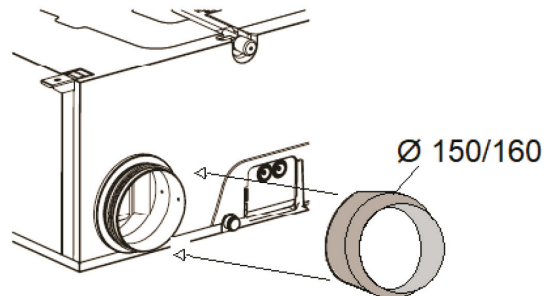
Spigot arrangement Ø 150 mm



Spigots that are not used must be plugged with the supplied accessory.



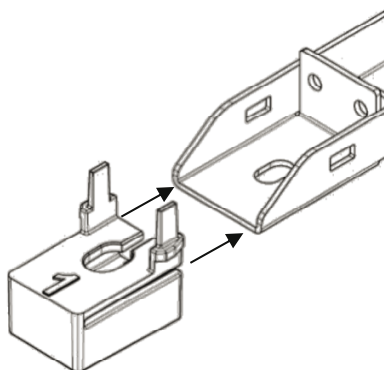
Ø125



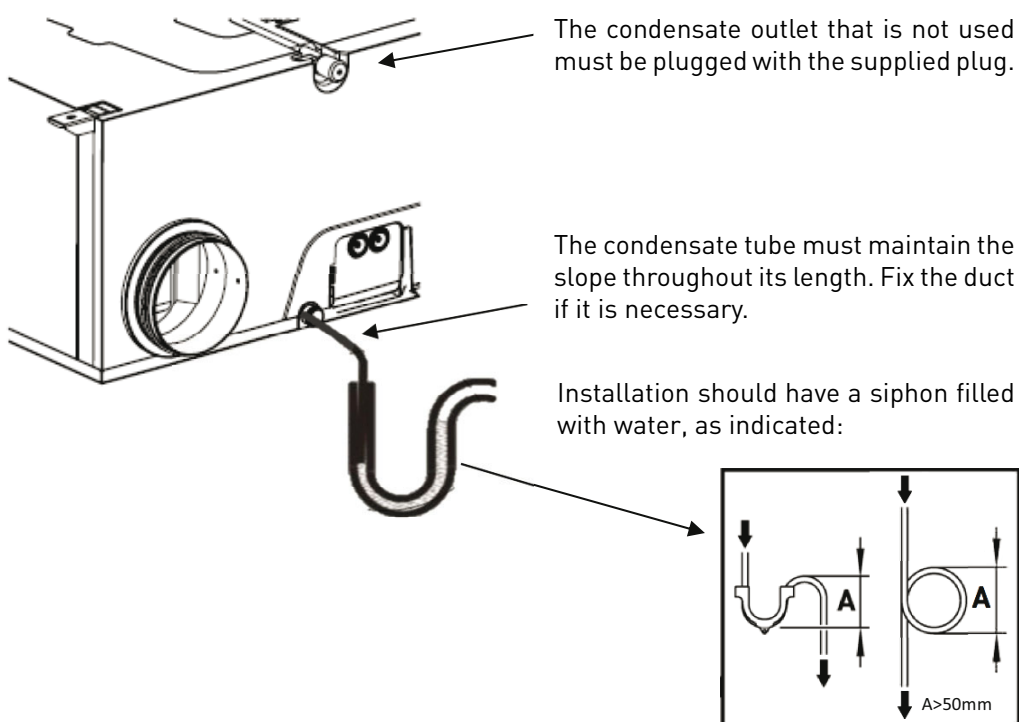
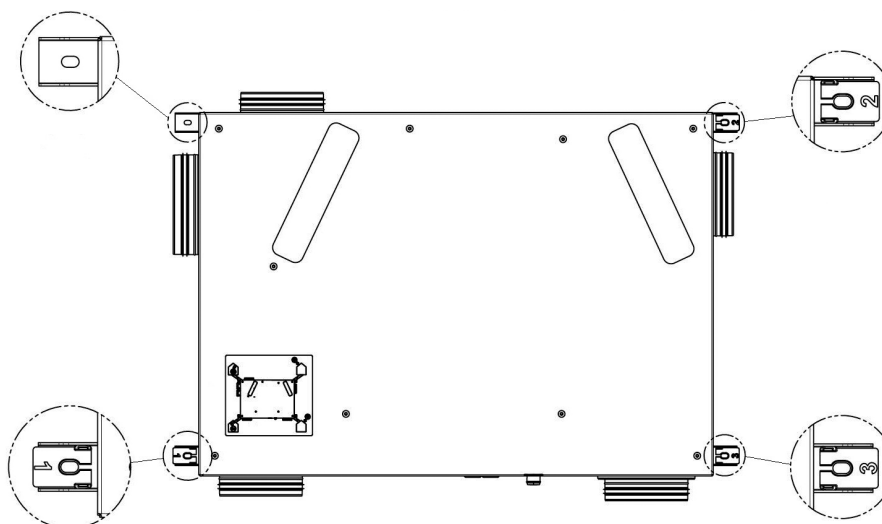
Ø 150/160

3.A. MOUNTING IN A FALSE CEILING

To ensure correct installation, it is necessary to place the supplied positioning accessories as indicated:



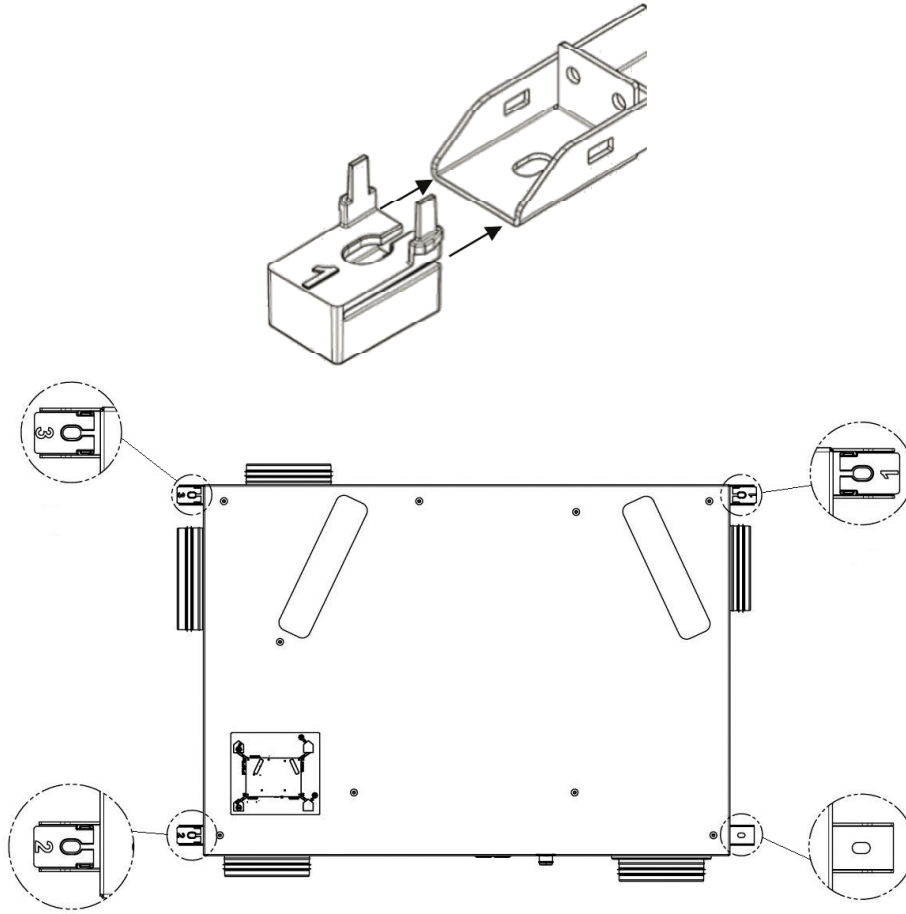
Extraction: without accessories



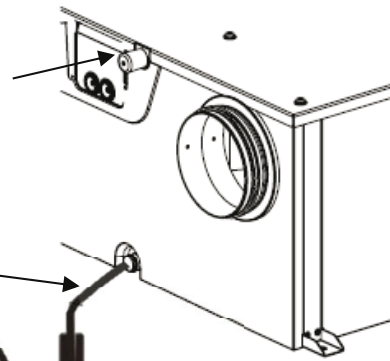
For correct maintenance, a sufficiently large equipment access hatch must be installed.
Recommended Dimensions: 1000 x 750 mm.

3.B. MOUNTING IN A FLOOR

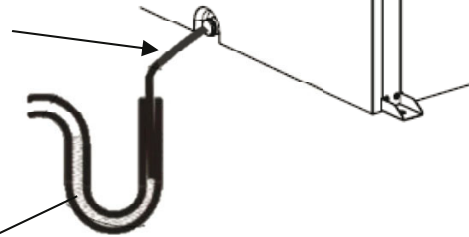
To ensure correct installation, it is necessary to place the supplied positioning accessories as indicated.



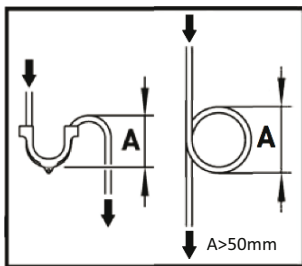
The condensate outlet that is not used must be plugged with the supplied plug.



The condensate tube must maintain the slope throughout its length. Fix the duct if it is necessary.



Installation should have a siphon filled with water, as indicated:



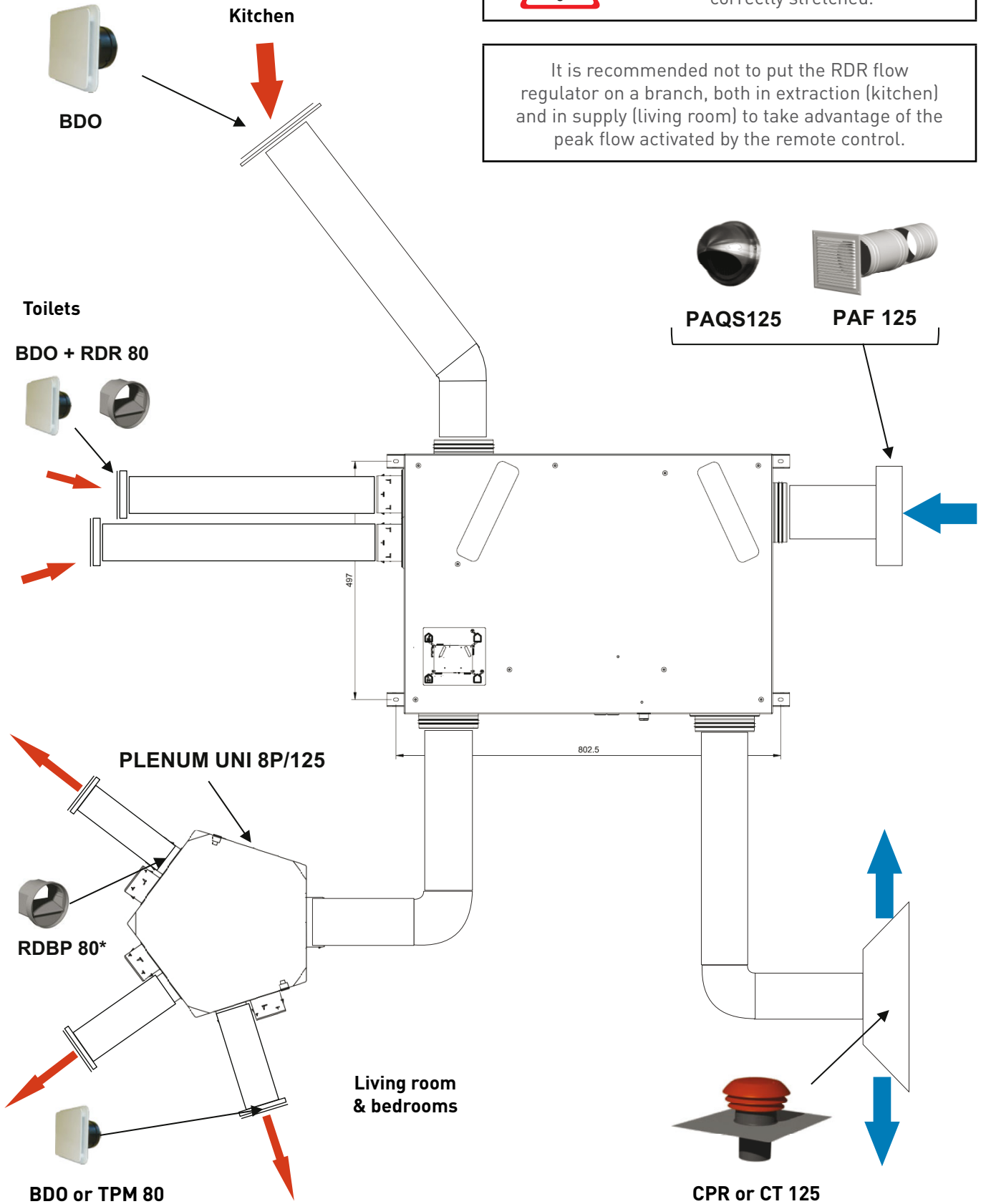
For correct maintenance, access must be allowed to the equipment to each exposed side. Access is from the top.

SAMPLE "MIXED DISTRIBUTION" ASSEMBLY

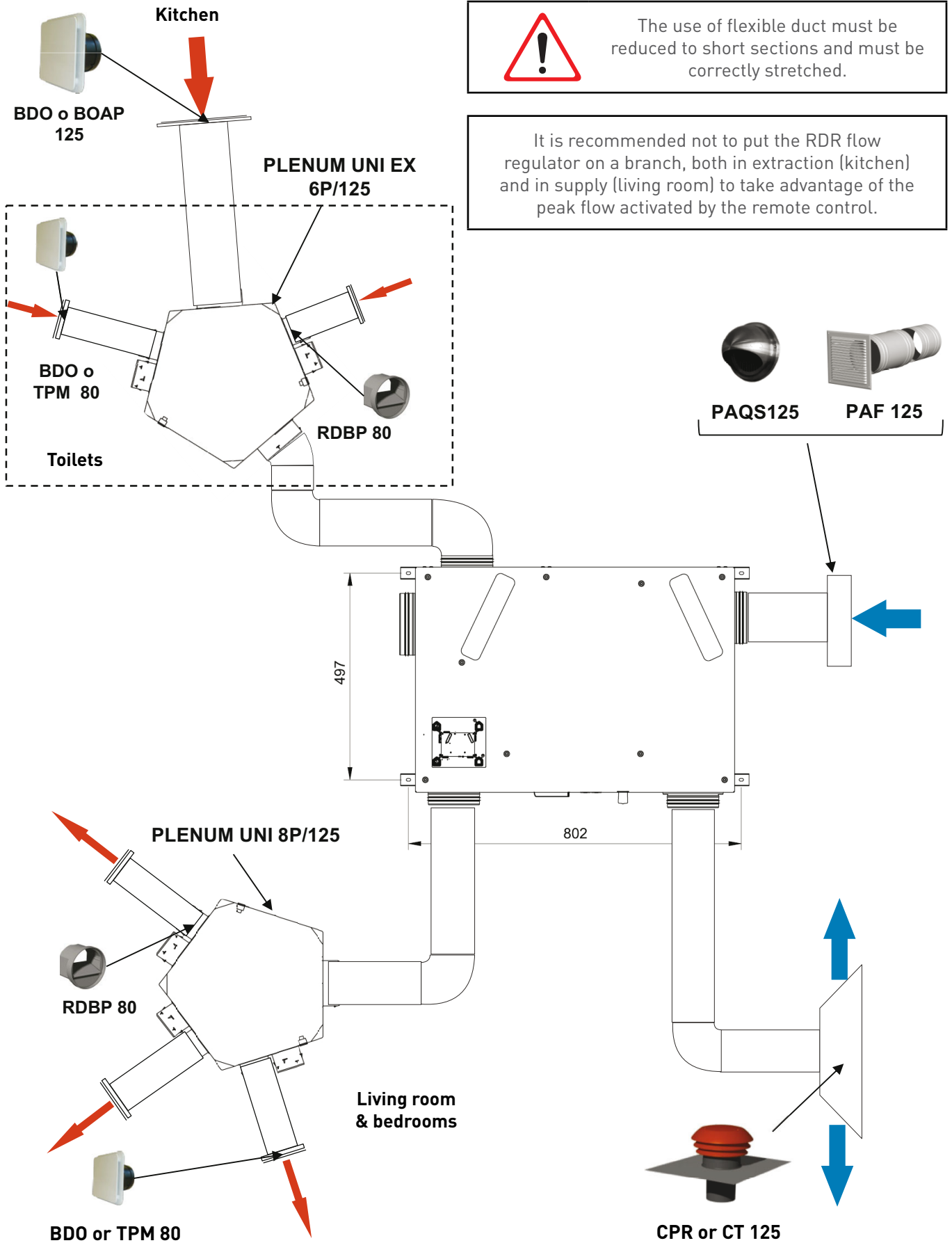


The use of flexible duct must be reduced to short sections and must be correctly stretched.

It is recommended not to put the RDR flow regulator on a branch, both in extraction (kitchen) and in supply (living room) to take advantage of the peak flow activated by the remote control.



SAMPLE "PLENUM DISTRIBUTION" ASSEMBLY

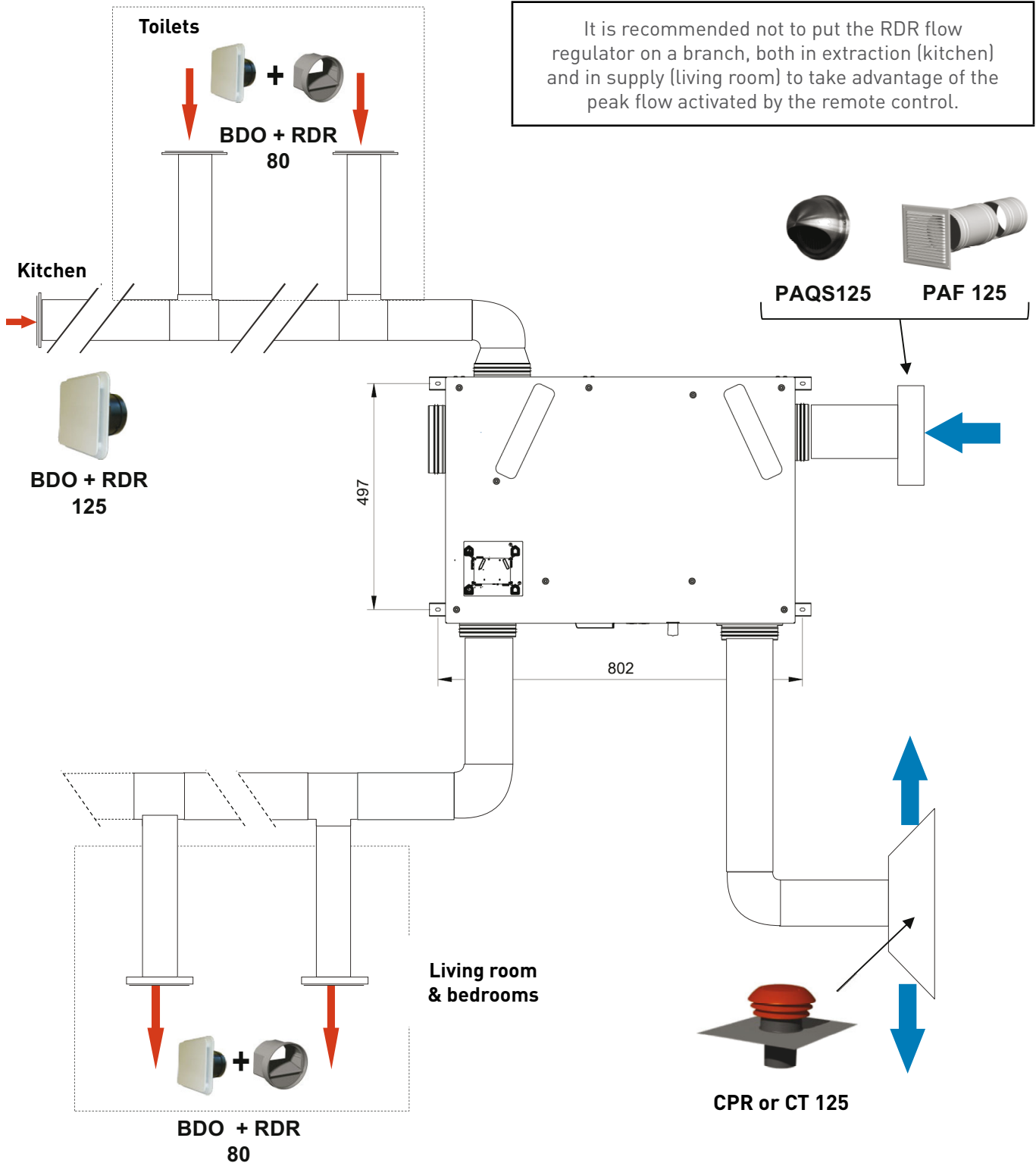


SAMPLE "DISTRIBUTION" ASSEMBLY



The use of flexible duct must be reduced to short sections and must be correctly stretched.

It is recommended not to put the RDR flow regulator on a branch, both in extraction (kitchen) and in supply (living room) to take advantage of the peak flow activated by the remote control.

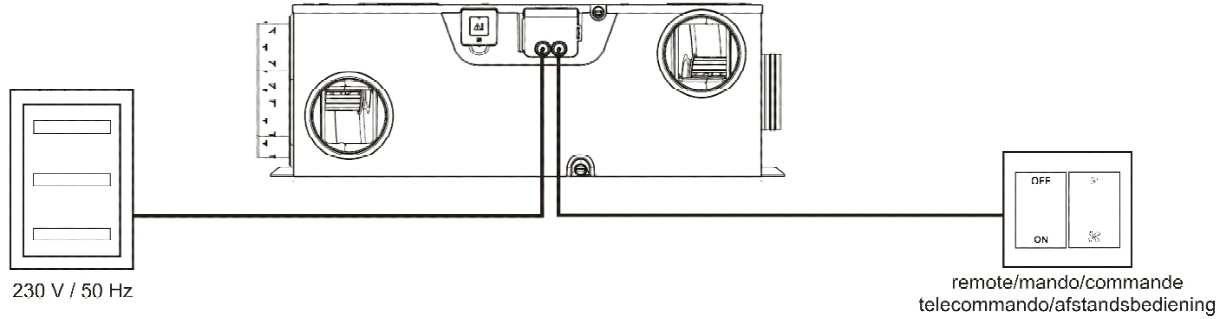




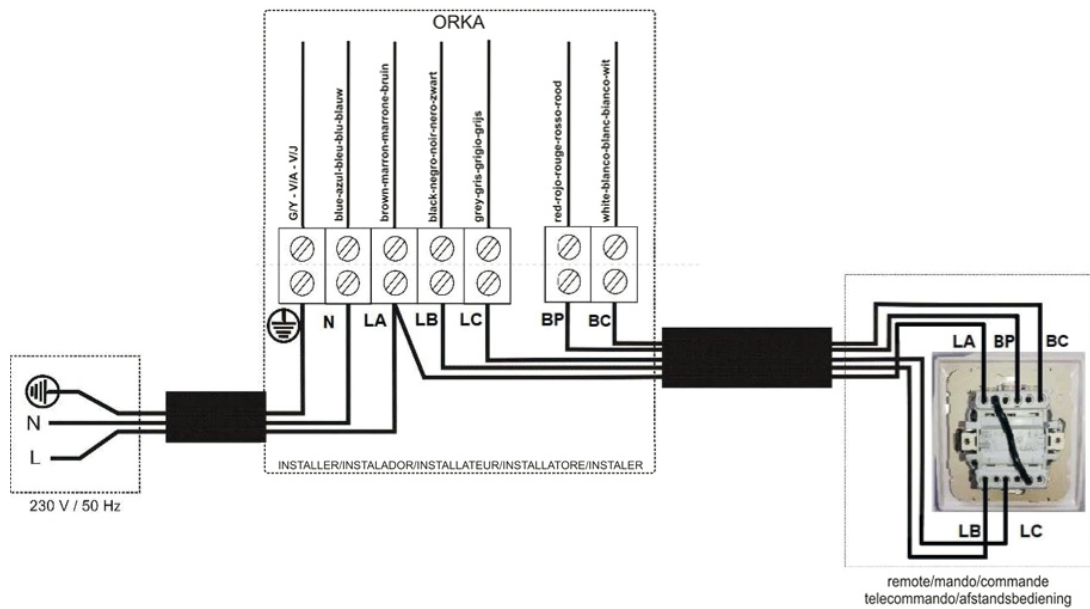
4. CHARACTERISTICS AND ELECTRICAL CONNECTIONS

Power: Single phase 230V-50Hz
Max. current: 0,7 A
Electrical protection: 2 A (curve C)

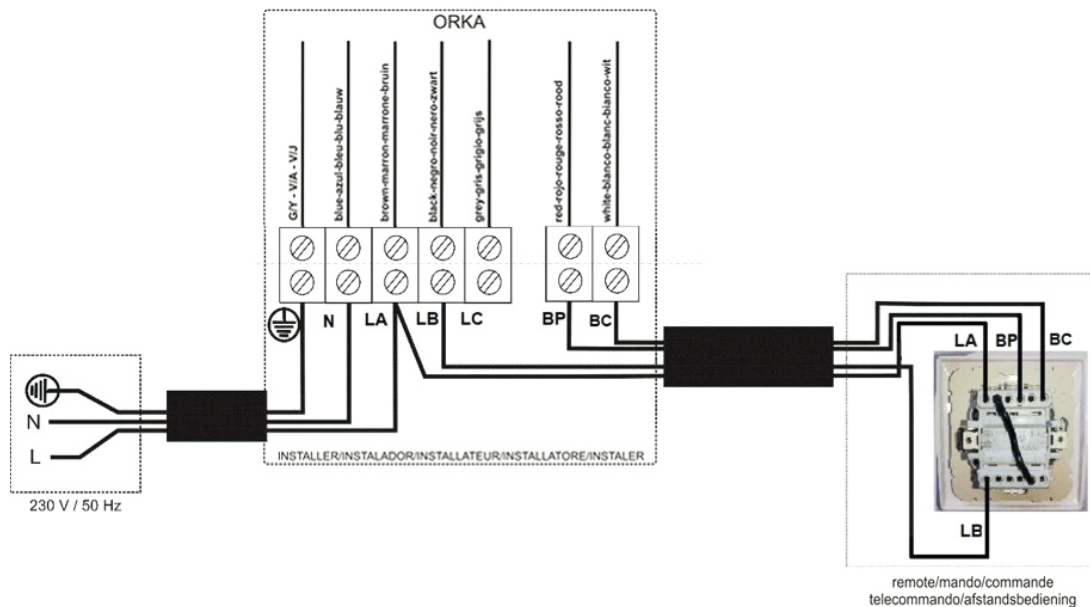
Max. Power: 145 W
Maximum ambient temperature: 50°C
Maximum flow temperature: 45°C



Configuration A:



Configuration B:

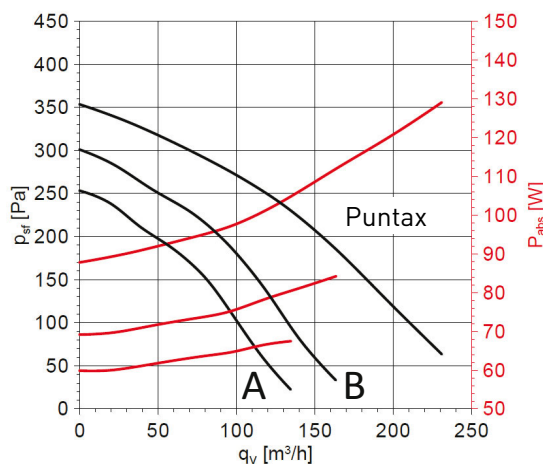


5. CONTROL OF ORKA

5.1. INSTALLATION

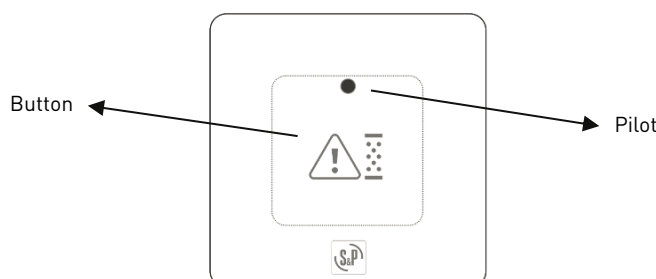
5.1a. Airflow selection

The equipment has 2 configurations (A and B) for low speed depending on the connection (see chapter 4). The peak airflow (high speed) function is common to both configurations.



5.1b. Alarm change filters

The unit has a timer “12 months TIMER S&P” that alerts the user when to change the filters. It is a movable device and must be located where the user can view the alarm status.



The alarm is timed to activate at 12 months. Once this time has elapsed, the pilot will light up every 10 seconds during the first 4 days. Subsequently, the flashing will be every 30 seconds for the next 9 days.

When the filters have been changed, the alarm must be reactivated by pressing the button for 5 seconds.

To check the remaining time until the end of the timing, press the button for 3 seconds and the pilot light will illuminate a number of times to the number of months remaining to reach 12 months.

To confirm that the battery has sufficient charge, press the button (<1 second) and the pilot light will illuminate once. If not, the battery should be replaced with a new one. The remaining time for the alarm activation is saved.

The battery life for normal use is approximately 3 years.

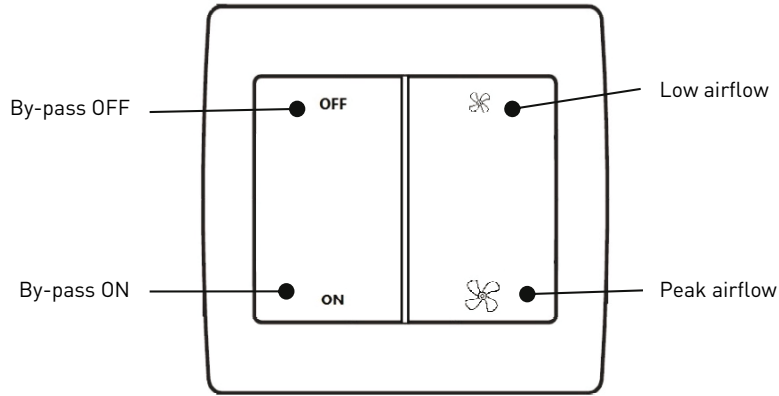
The battery is CR2032 type.

Remove the battery protection for activation.

5.2. DURING USE

The remote control allows the user to:

- Activate the peak airflow
- Activate the by-pass 100%



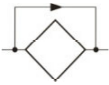
Low airflow:

Activates the low airflow corresponding to curve A or B depending on the configuration chosen in the electrical connection.



Peak airflow:

Peak airflow activation.



By-pass (ON/OFF):

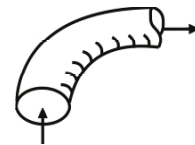
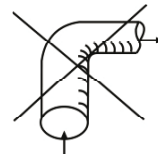
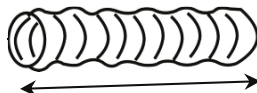
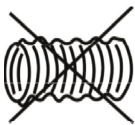
By avoiding the exchanger, the 100% ORKA bypass system allows fresh air from outside to be introduced without being overheated by the outgoing air from indoors, this is mainly recommended in summer to get free cooling. Manual activation.

6. COMMISSIONING THE ORKA

To start your ORKA unit use the following process:

1. Verify that all system components are correctly installed and connected:

- Fresh air intake duct insulated and connected correctly (Do not use a fresh air intake equipped with insect screen).
- Fresh air and exhaust ducts insulated and connected correctly.
- Fresh air and exhaust vents connected.
- Flow regulators mounted in the right direction (if installed).



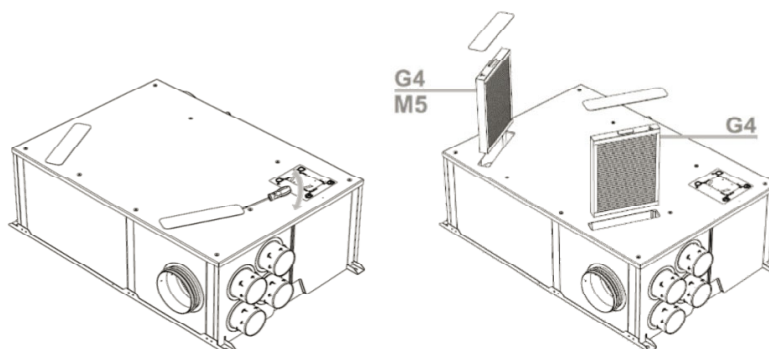
- Air outlet using insulated duct and connected to the outside (Using a roof cowl or outlet without an insect screen).
- Insulated flexible ducts taut and large radius bends (if installed).
- Check that the unused spigots on plenums are sealed (if installed).
- Condensation drain well connected (siphon).
- Check that all connections are sealed (on the ORKA, on plenums and vents).
- Check the setting of the power circuit breaker.

2. Turn on the ORKA, checking the selected speed.

7. MAINTENANCE

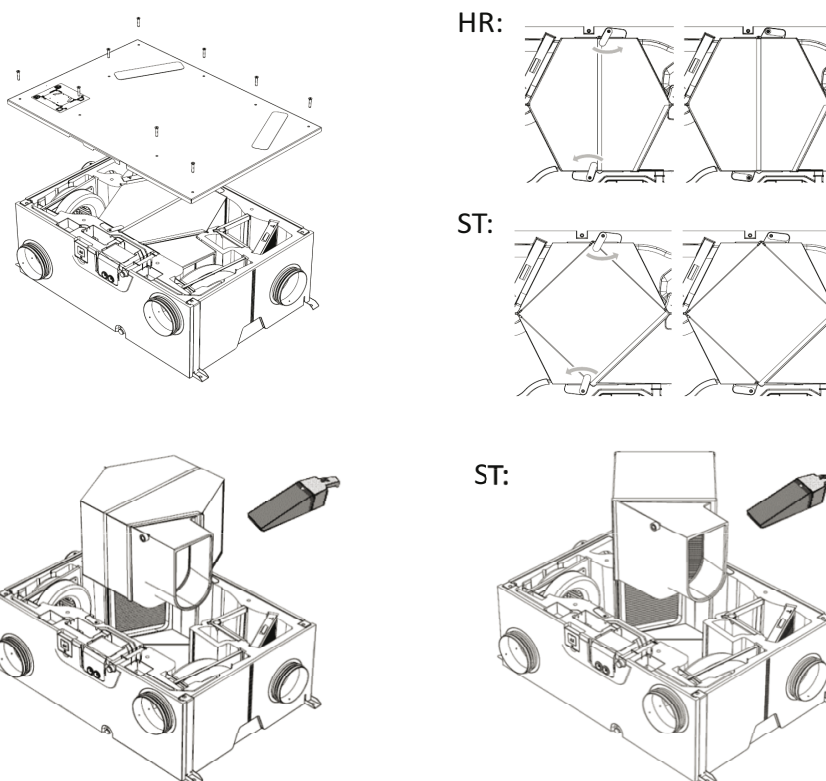
In order to take advantage of the equipment's services throughout its useful life, it is essential to carry out maintenance tasks correctly.

- Every 12 months: change the filters.
The supply filter M5 can be replaced by a G4 filter if required (sold as an accessory).



Alarm Reset of the filter change (see chapter 5.1 B)

- Every 24 months: remove dust from inside of the heat recovery unit with a vacuum cleaner.



- Every 6 months: clean the extraction spigots of kitchen and bathroom with warm water and soap.


8. PUTTING OUT OF SERVICE AND RECYCLING



EEC legislation and our consideration of future generations mean that we should always recycle materials where possible; please do not forget to deposit all packaging in the appropriate recycling bins. If your device is also labeled with this symbol, please take it to the nearest Waste Management Plan at the end of its servicable life.



9. ECODESIGN TECHNICAL SHEET

 Ecodesign Commission regulation (EU) N°1253/2014 of July 2014 Information requirements (Annex V) ORKA HR		
a	Trade mark	S&P
b	Identifier	5153833200
c	SEC average climate (kWh/(m ² .an))	-26,2
	SEC class	B
	SEC cold climate (kWh/(m ² .an))	-62,8
	SEC warm climate (kWh/(m ² .an))	-2,6
d	Typology	RVU bidirectional
e	Type of drive	3 speeds
f	Type of HRC	Recuperative
g	Thermal efficiency (%)	84
h	Maximum flow rate (m ³ /h)	215
i	Electrical power input at maximum flow rate (W)	127,0
j	Sound power level (LWA)	50
k	Reference flow rate (m ³ /s)	0,042
l	Reference pressure difference (Pa)	65,0
m	SPI (W/m ³ /h)	0,551
n	Control factor	1
	Control typology	Manual
o	Maximum internal leakage for BVU (%)	4
	Maximum external leakage for BVU and UVU (%)	4
p	Mixing rate for BVU without duct connection (%)	Not apply
q	Position of visual filter warning	Remote control
	description of visual filter warning	Pilot light
r	Instructions to install supply grilles	Not apply
	Instructions to install exhaust grilles	Not apply
s	Internet address	www.solerpalau.com
t	Airflow sensitivity to pressure variation	Not apply
u	Indoor/outdoor air tightness (m ³ /h)	Not apply
v	Annual electricity consumption - Average climat (kWh/a)	736
	Annual electricity consumption - Warm climat (kWh/a)	691
	Annual electricity consumption - Cold climat (kWh/a)	1273
w	Annual heating saved - Average climat (kWh/a)	43,9
	Annual heating saved - Warm climat (kWh/a)	19,9
	Annual heating saved - Cold climat (kWh/a)	85,9



S&P SISTEMAS DE VENTILACIÓN, S.L.U.

C. Llevant, 4
Polígono Industrial Llevant
08150 Parets del Vallès
Barcelona - España

Tel. +34 93 571 93 00
Fax +34 93 571 93 01
www.solerpalau.com



Ref. 9023090800