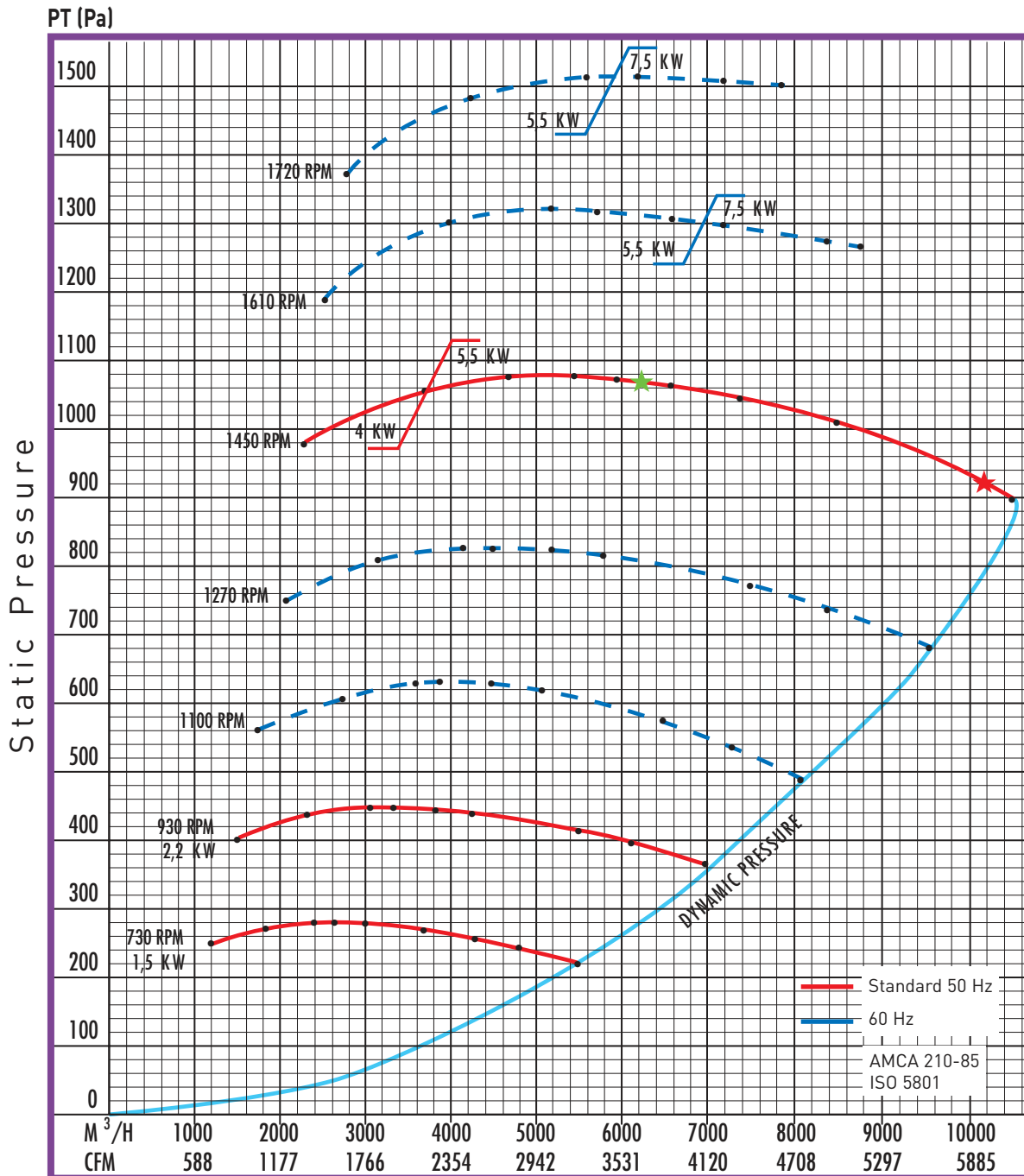


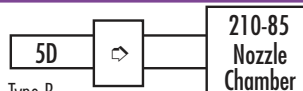
# SEAT 35



Ducted inlet/Ducted outlet  
Casing noise

R.P.M.	dB (A)	dB lin
1435	77,3	82,4

Noise ratings in accordance with ISO 5801.  
Visit our website for details.



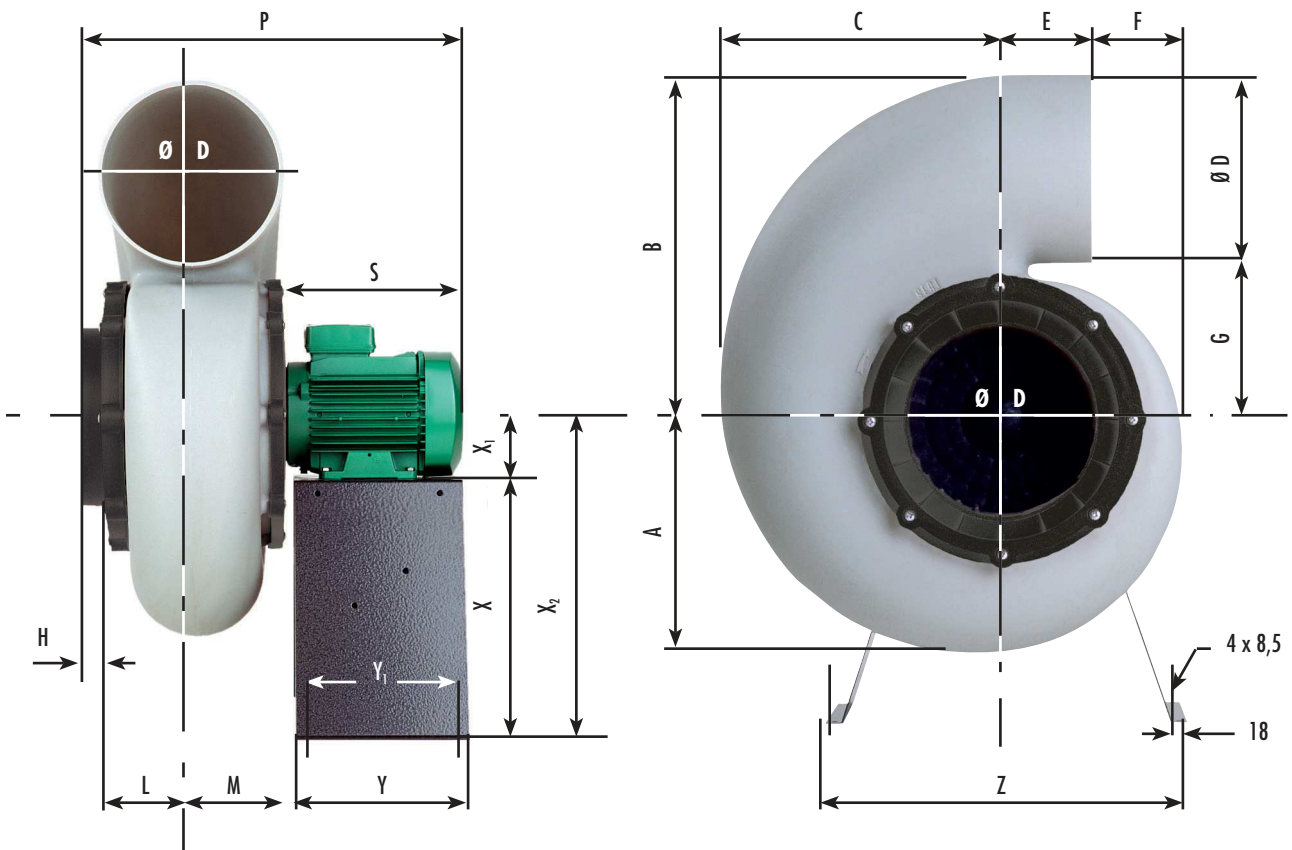
Type B  
Ducted outlet

R.P.M.	★ dB(A)	dB lin
730	67,8	76,1
950	74,1	82,2
1450	86	94,2
1720	90,7	98,1

Noise level in octaves (dB)

Freq. Octave Hz	1450 R.P.M. ★ 6000 m³/h	1450 R.P.M. ★ 10000 m³/h
125	74,5	74,5
250	68,2	72
500	68,4	76,1
1000	67,4	75,5
2000	61,2	70,9
4000	61,3	71,4

## LG POSITION ONLY



Available  
in **ATEX** version

Dimensional data (mm) - Metal stand does not come standard with fan (see accessories pricing).  
The motor frame size may vary upon type of motor used.

RPM	A	B	C	Ø D	E	F	G	H	L	M	P	S	Y	Y <sub>1</sub>	Z	X	X <sub>1</sub>	X <sub>2</sub>
930	370	570	450	315	130	170	255	60	150	170	724	334	350	314	600	468	112	580
1450	370	570	450	315	130	170	255	60	150	170	792	402	350	314	600	468	112	580
1450 ATEX ou 7,5 kW	370	570	450	315	130	170	255	60	150	170	822	432	350	314	600	468	132	600

Handings are viewed from inlet side - 45 degree adjustable

